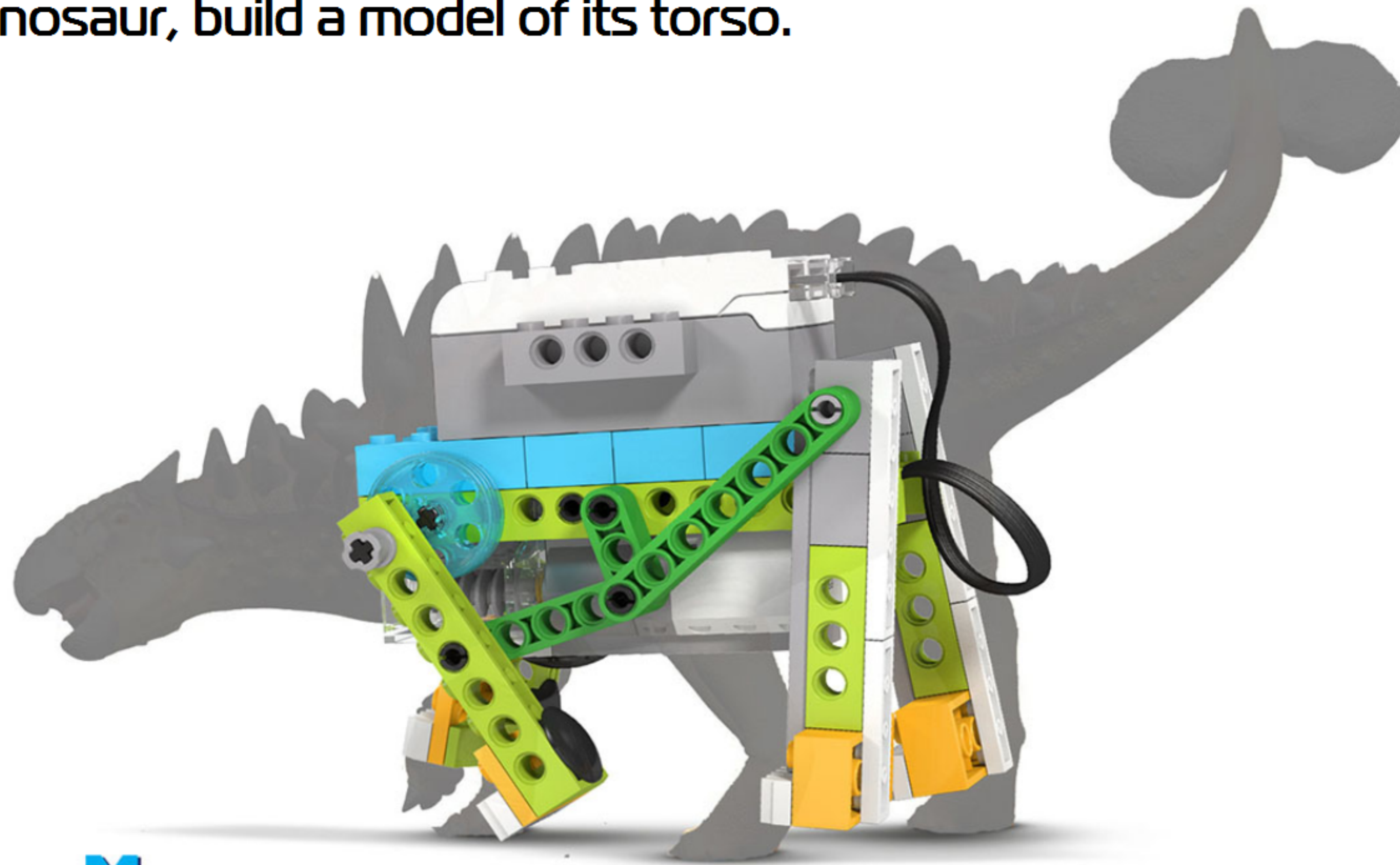




# Task

In order to learn more about the way of movement found dinosaur, build a model of its torso.



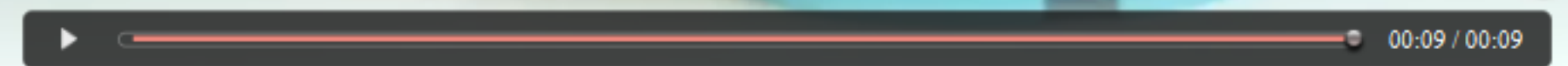
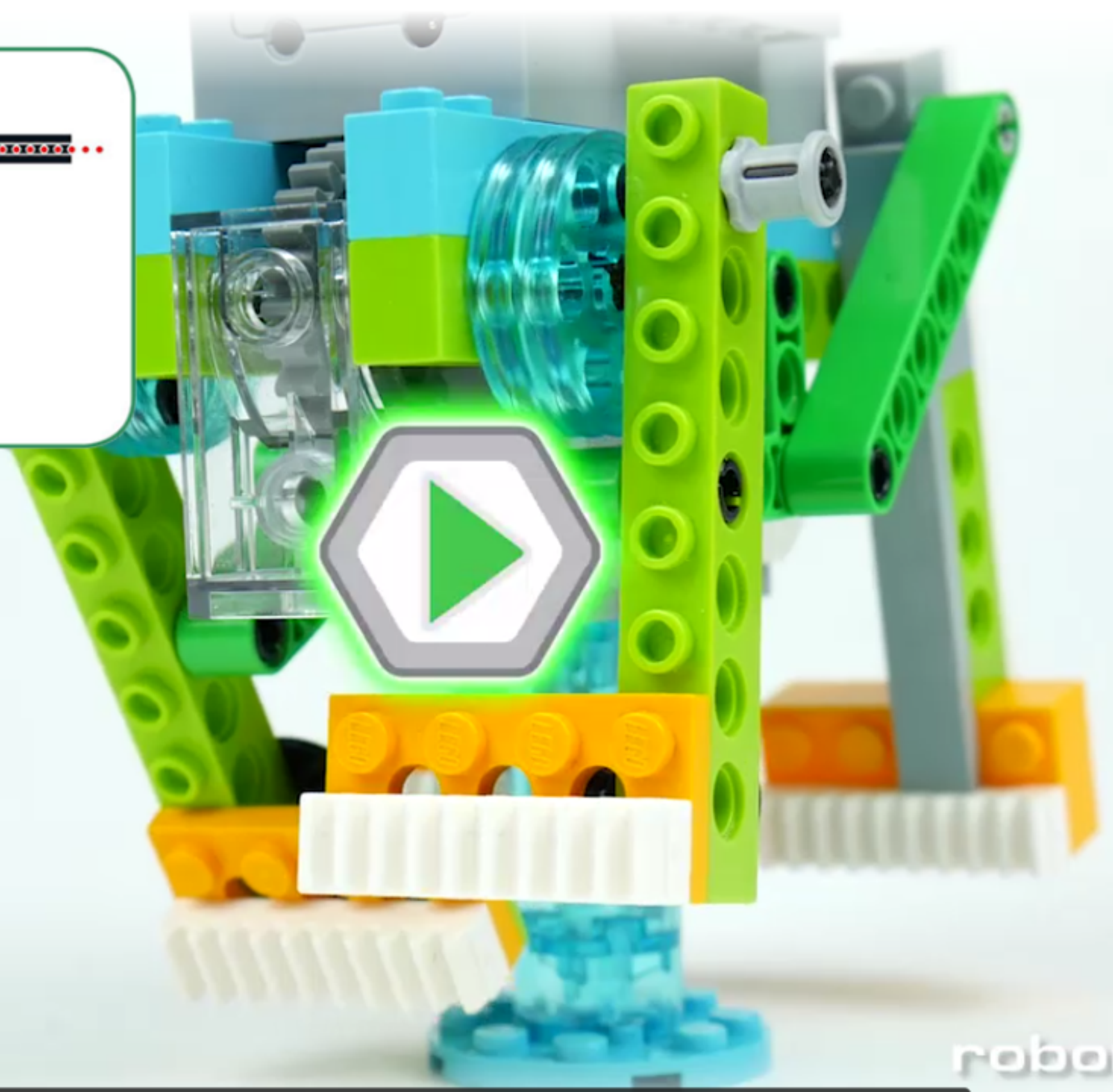
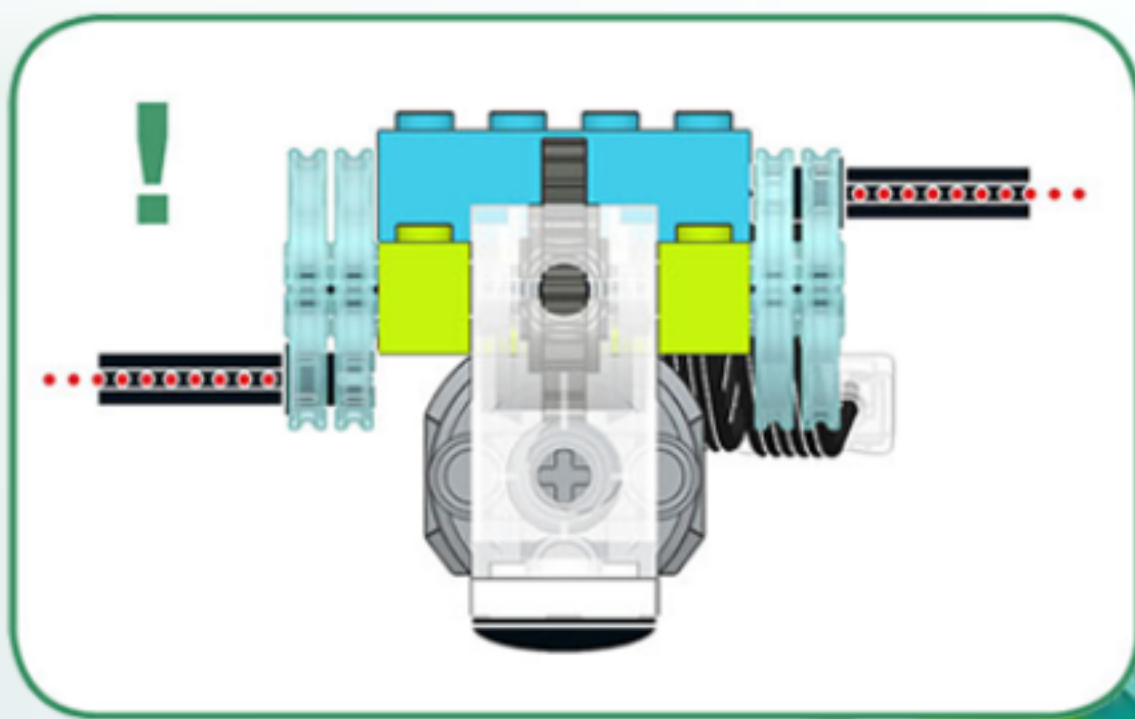
**Dino-X**





# Pay attention!

When building the robot correctly fix the crank mechanism. If on the left it is at the top point, on the right it should be in the bottom, and vice versa:



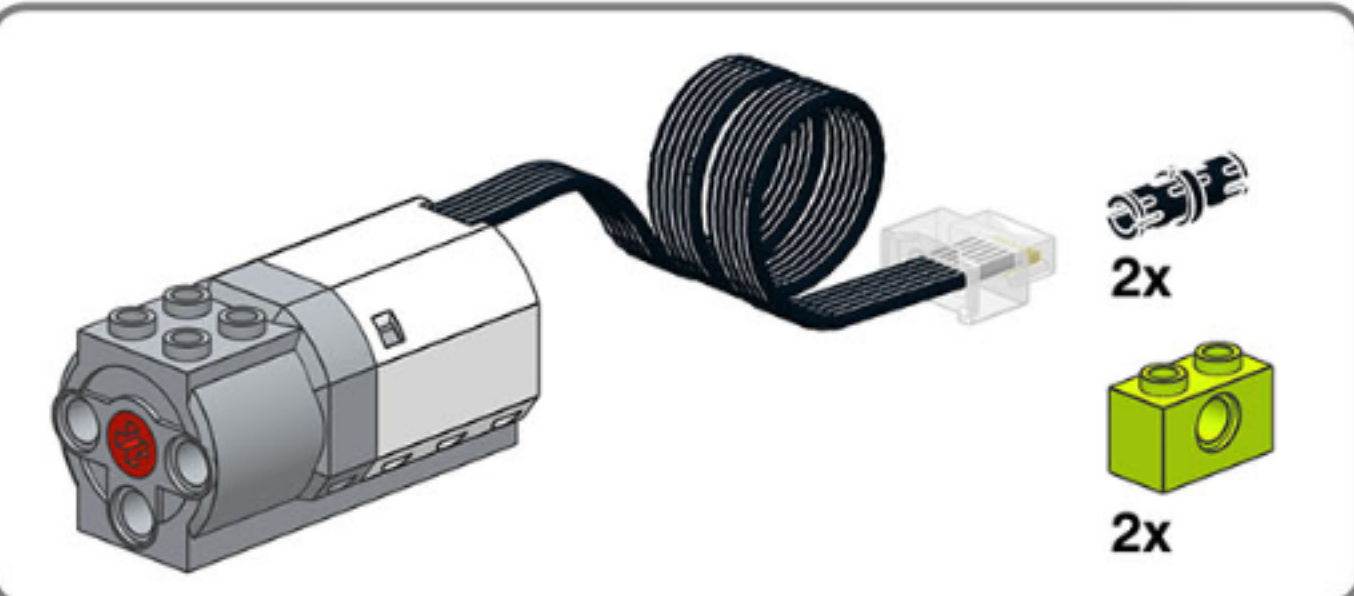
1 

21 

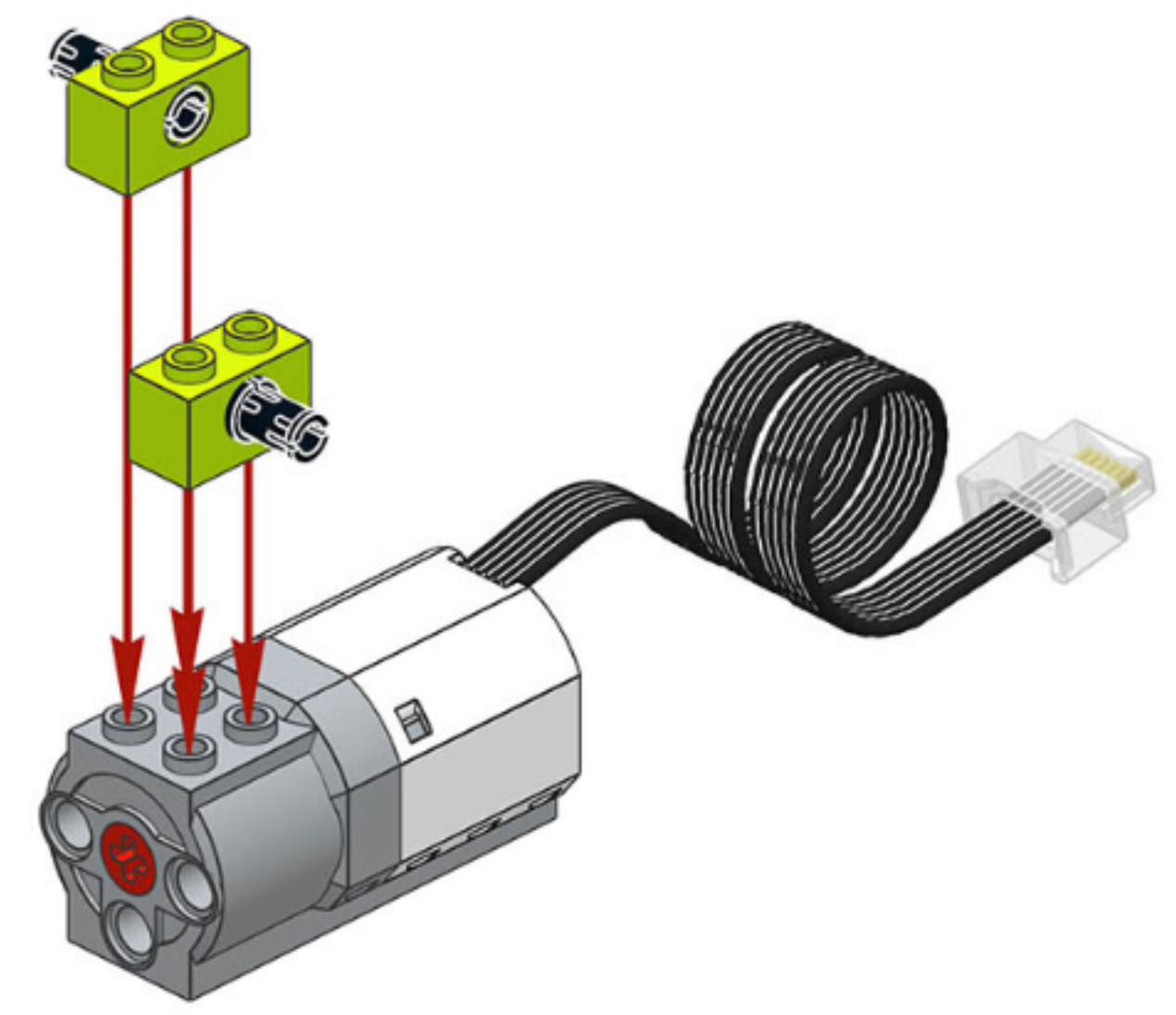








**1**

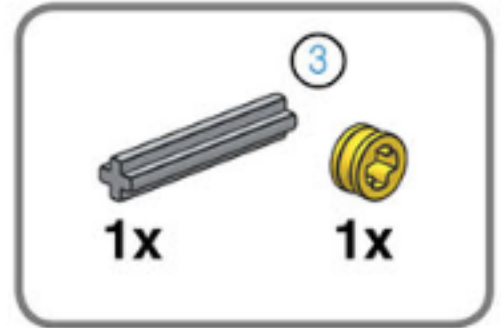


santi@smartschool.es

1/35

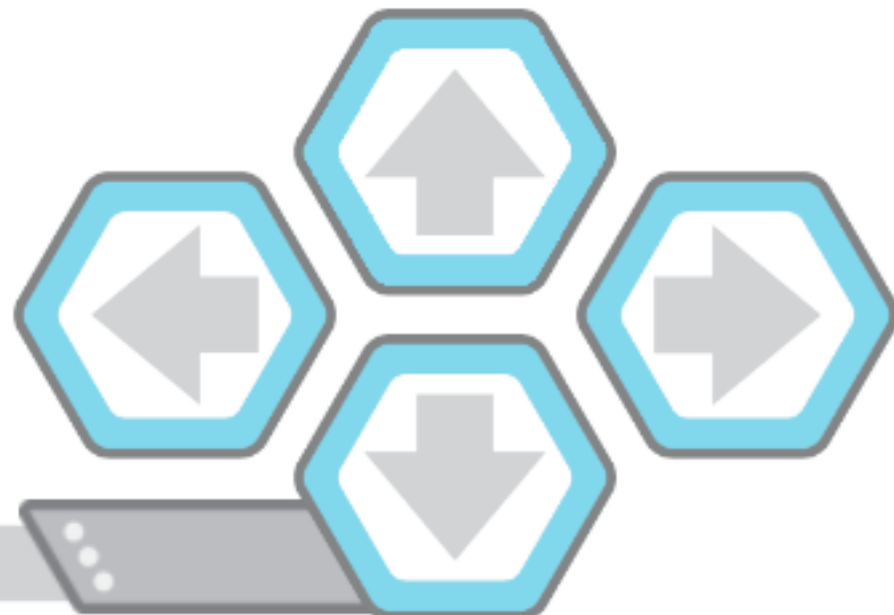
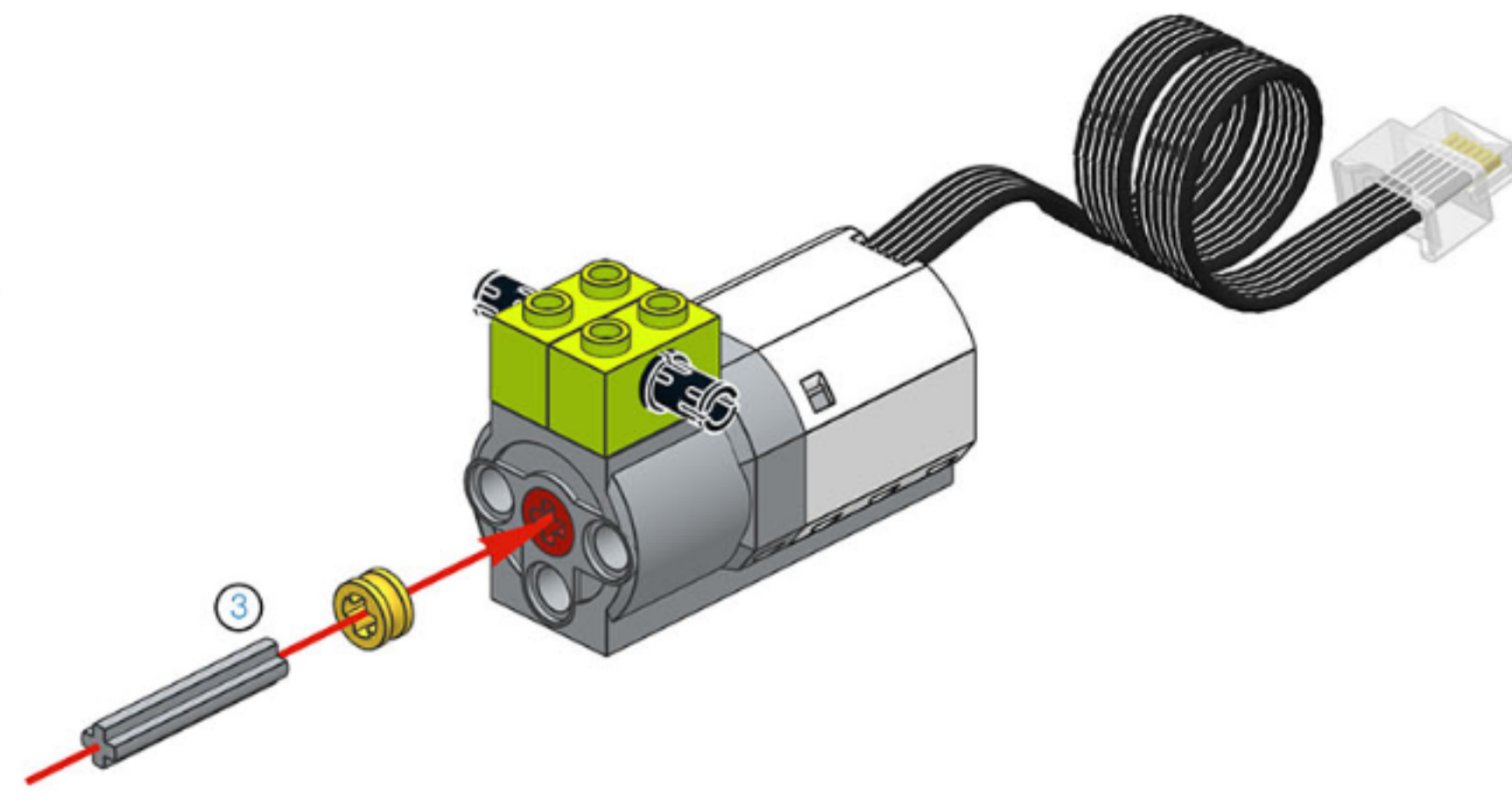
1

22

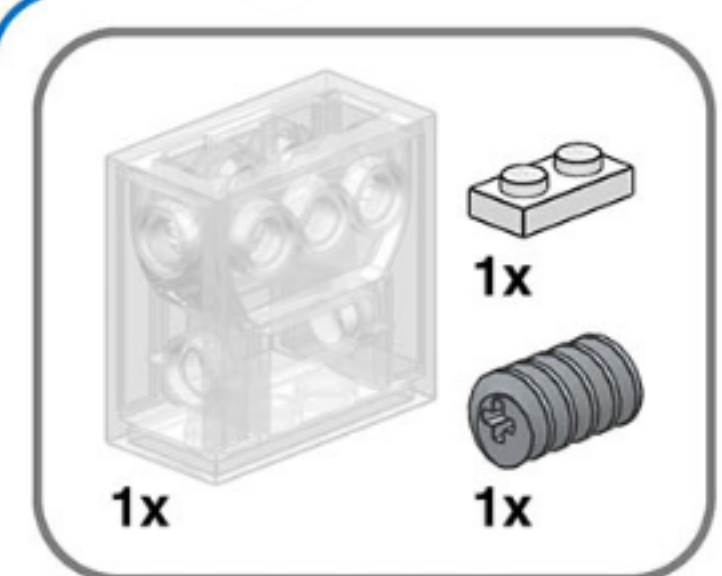


**2**

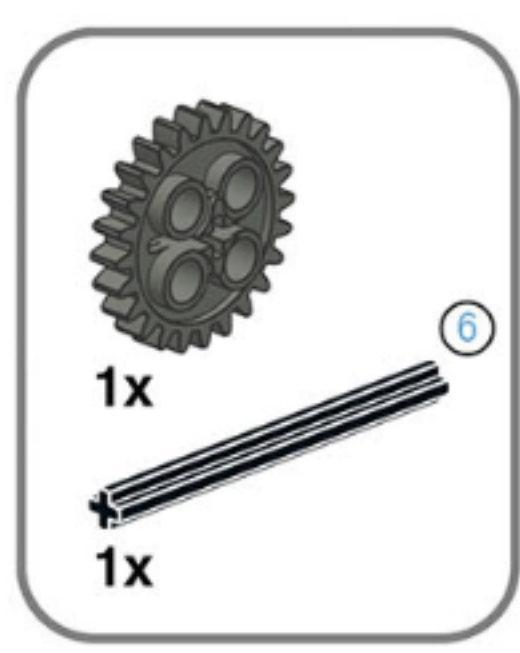
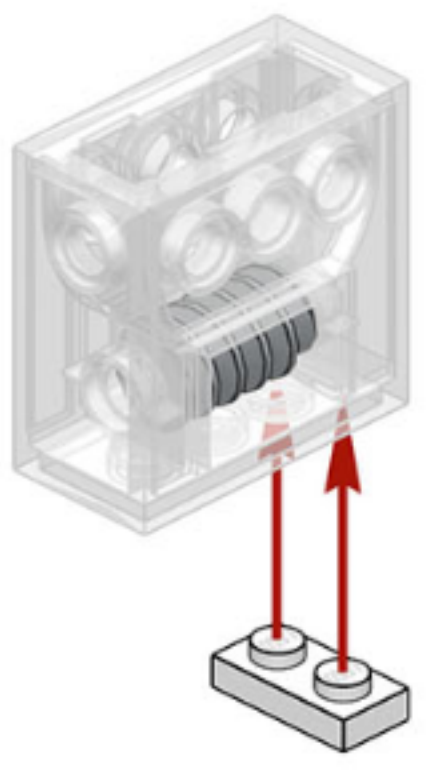
santi@smartschool.es



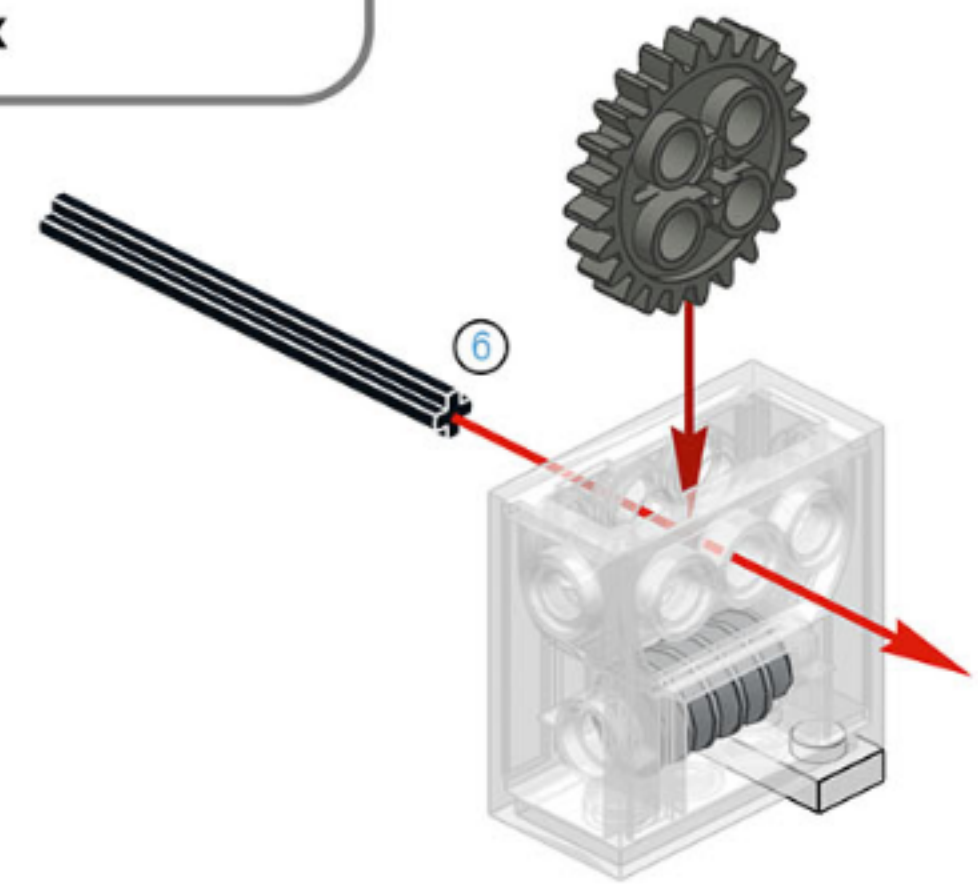




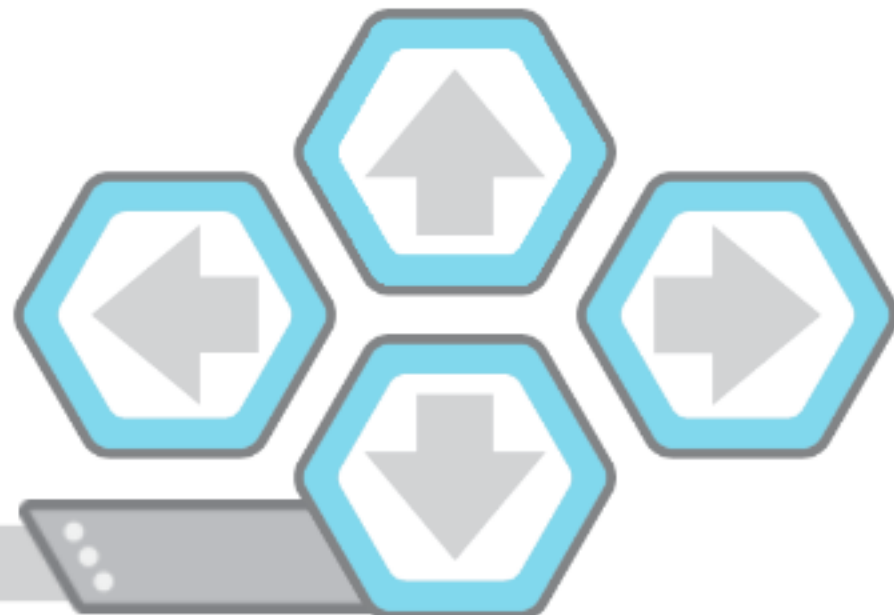
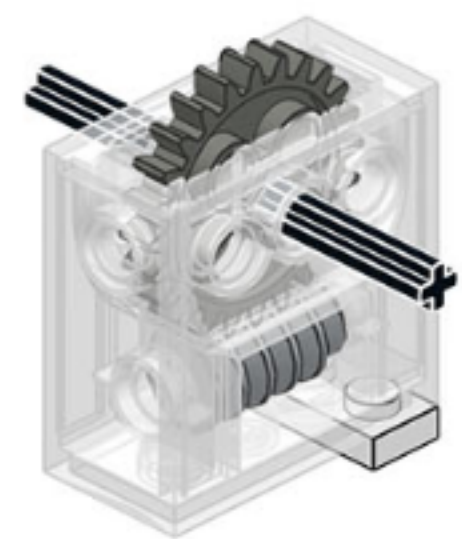
**1**



**2**

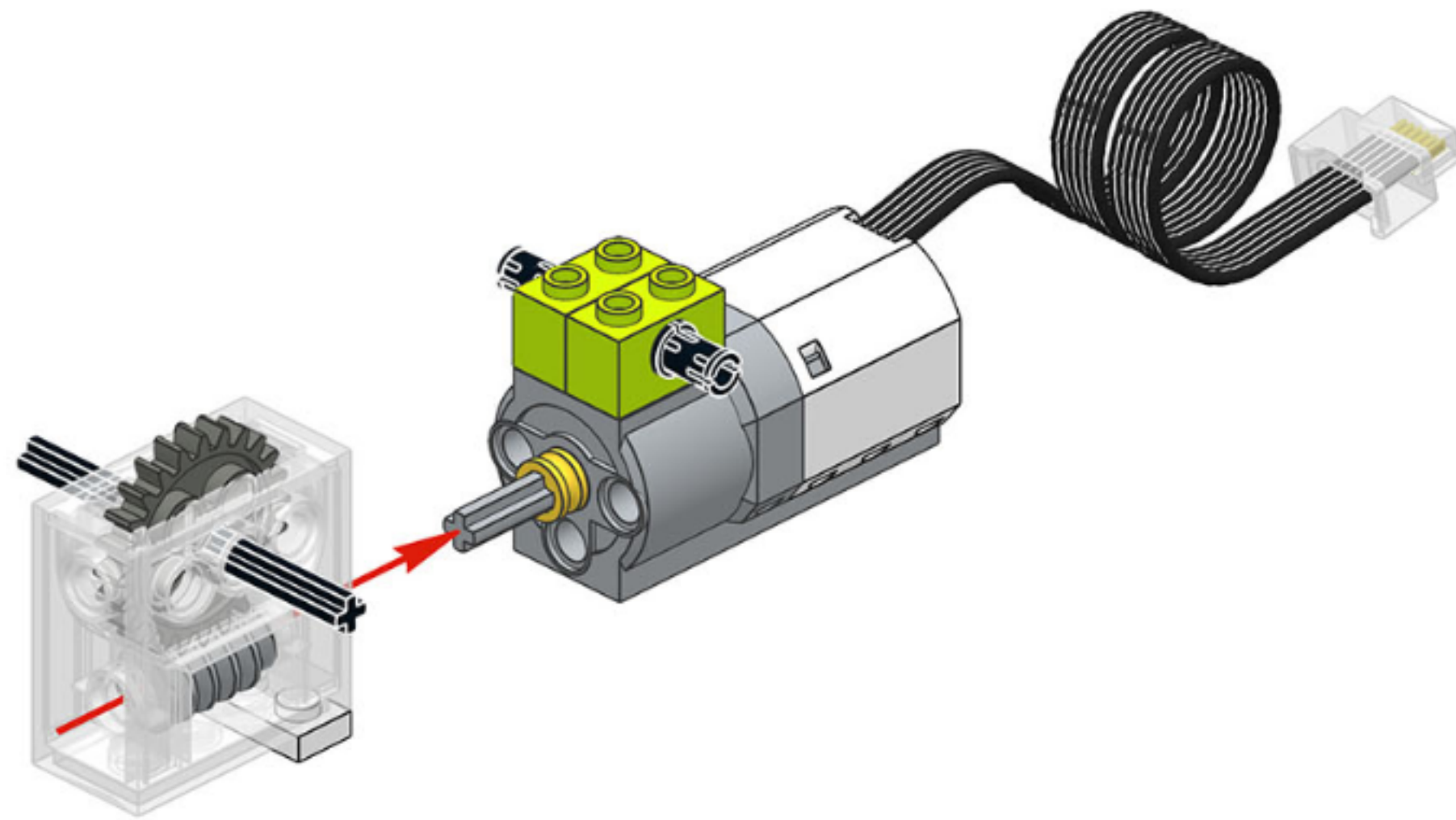


**3**

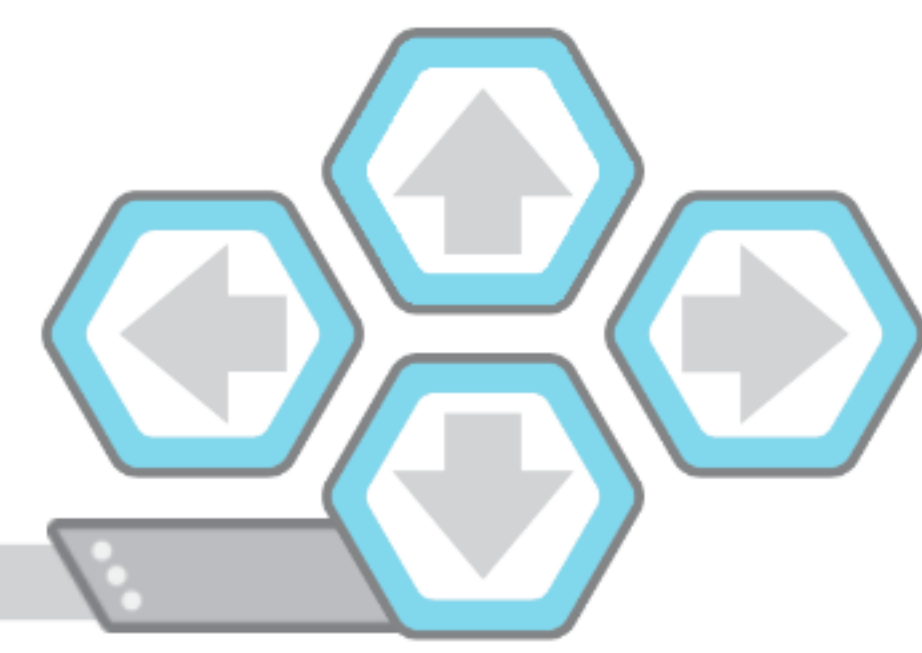




4



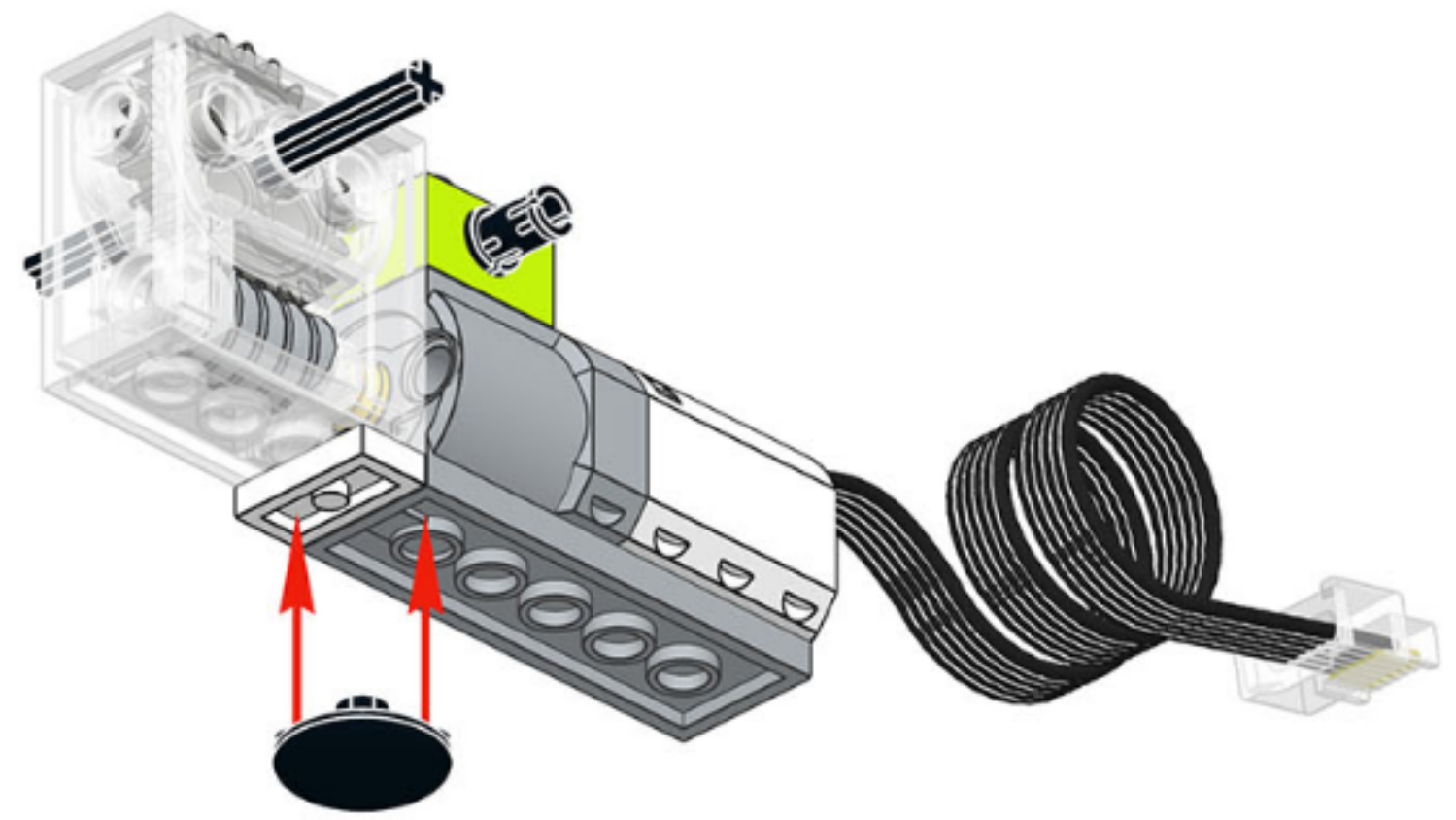
santi@smartschool.es



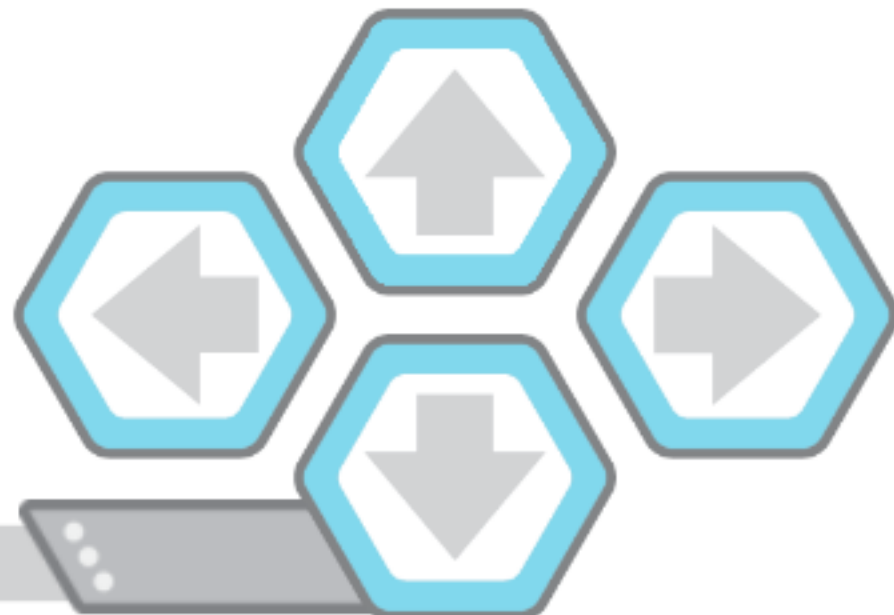




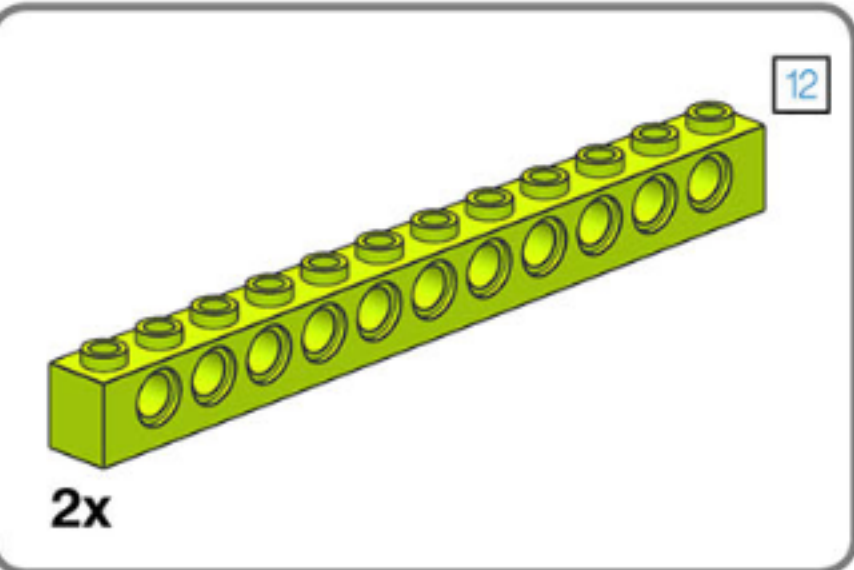
**5**



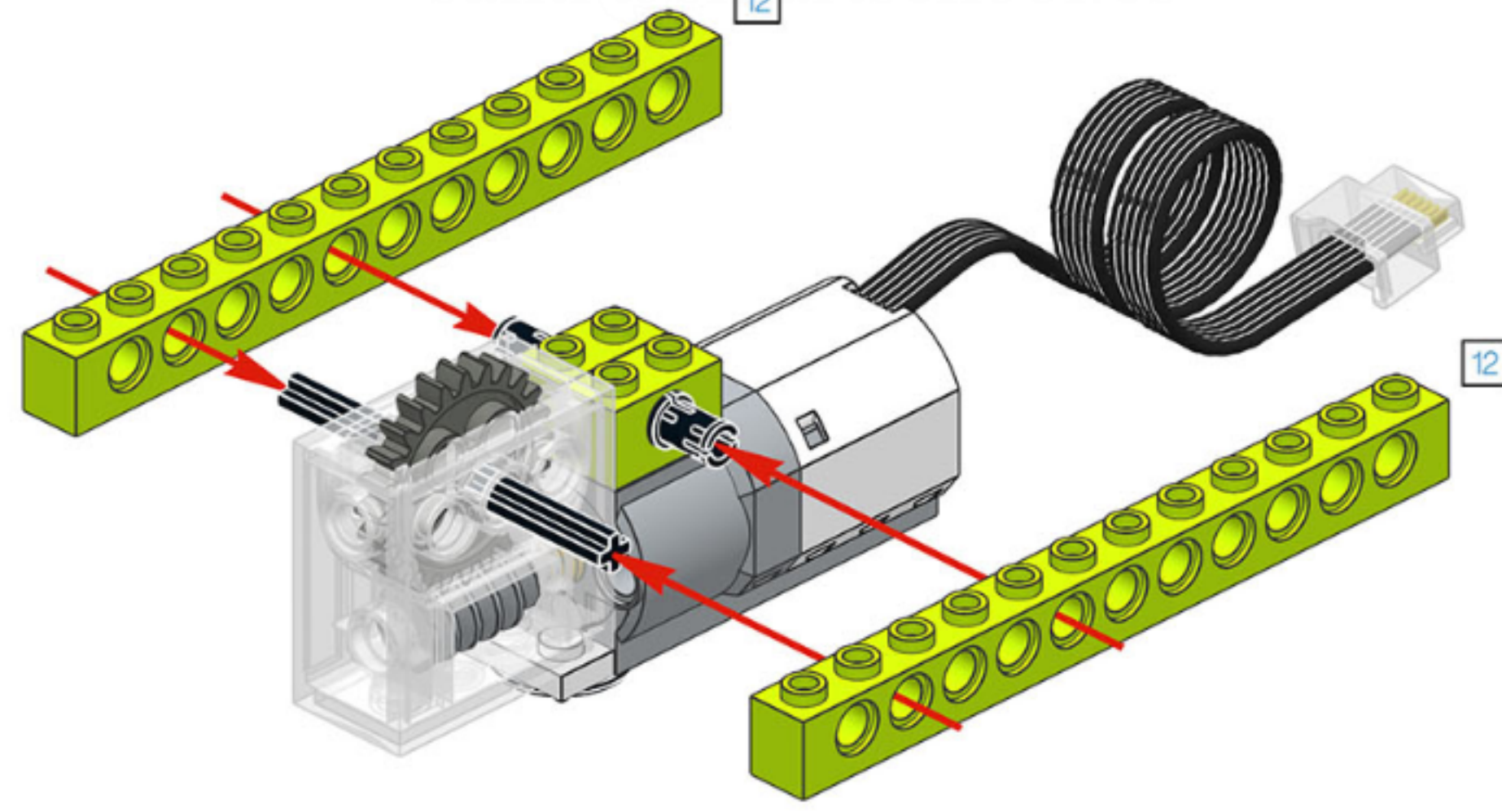
santi@smartschool.es



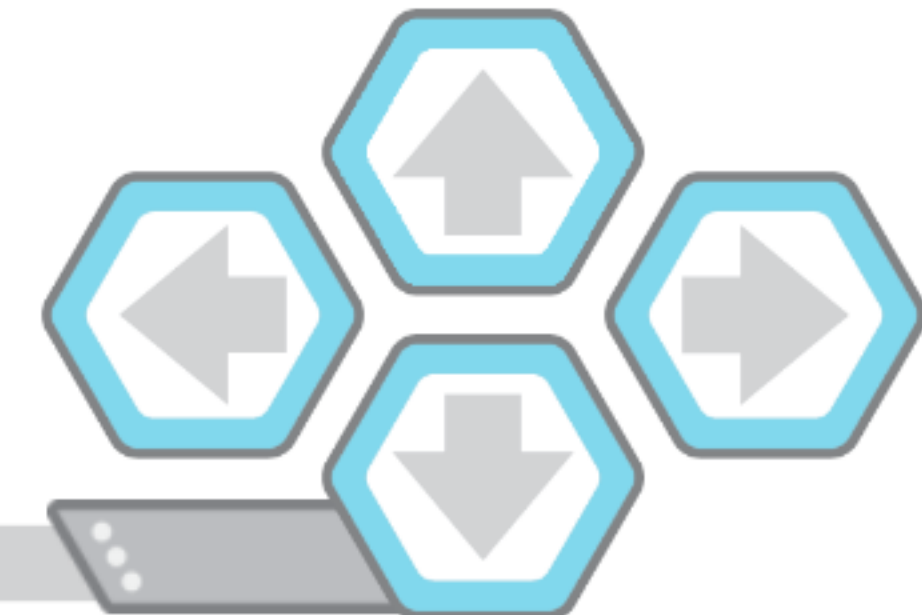




santi@artschool.es



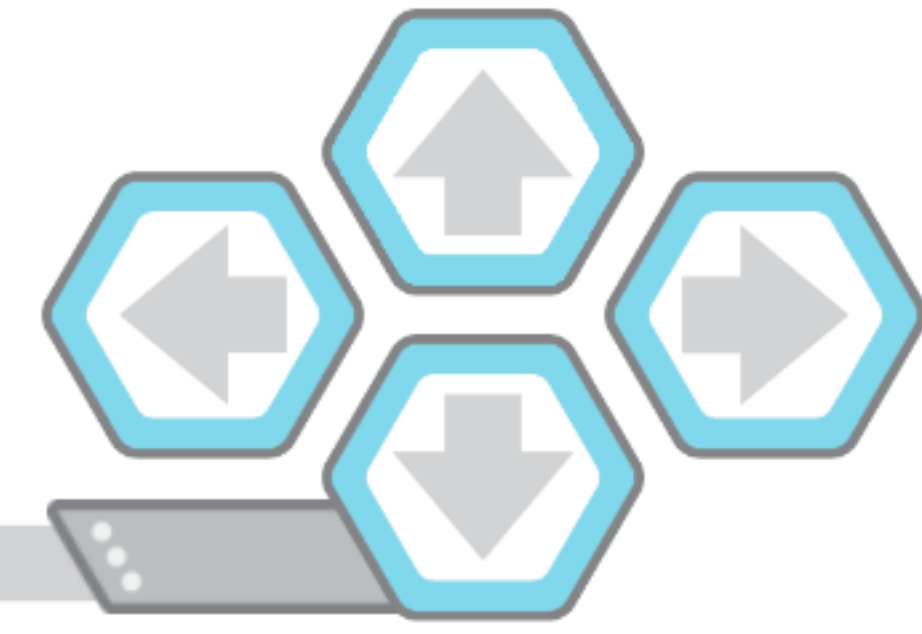
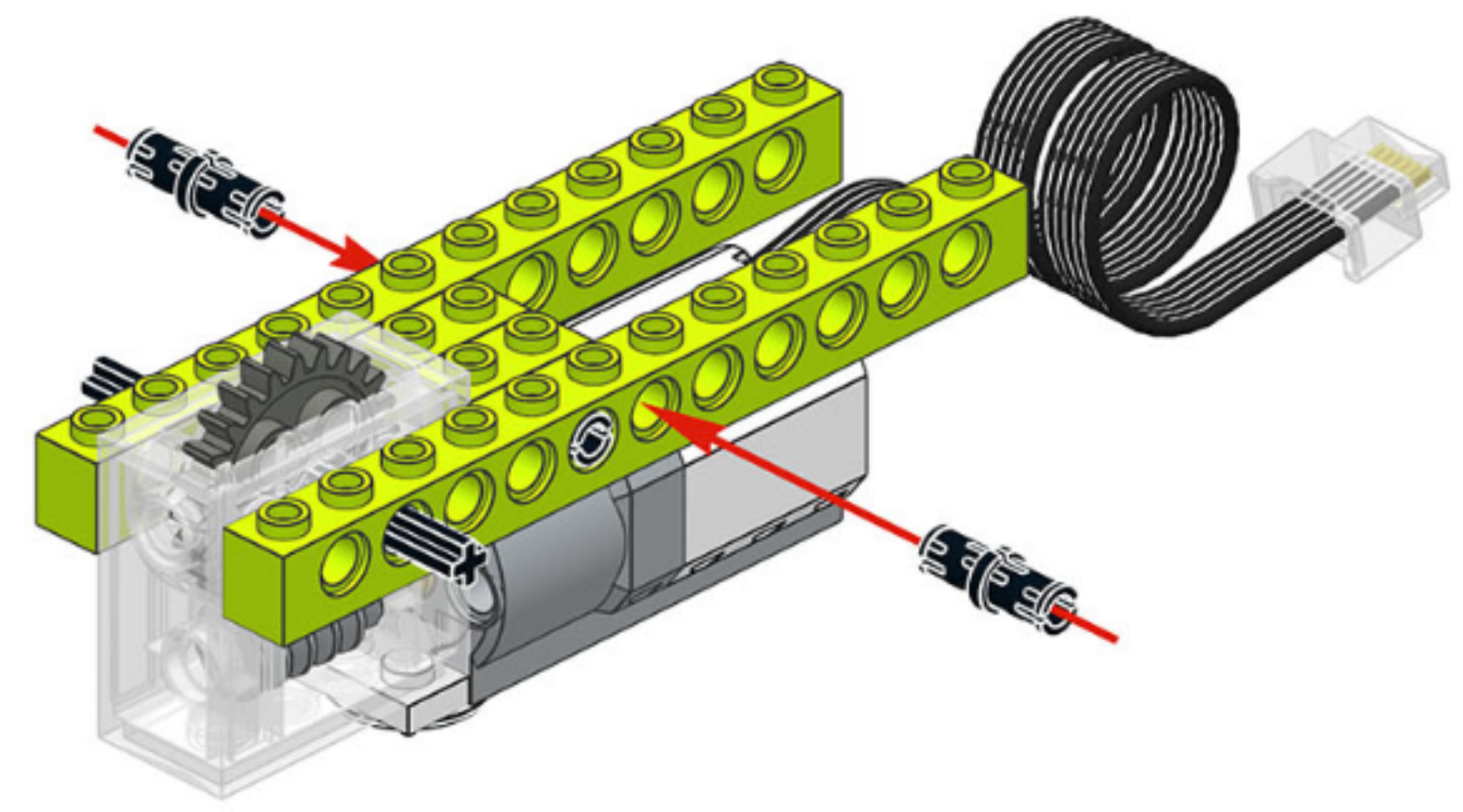
**6**



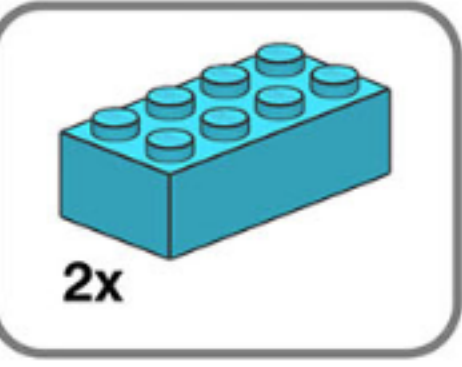
santi@smartschool.es



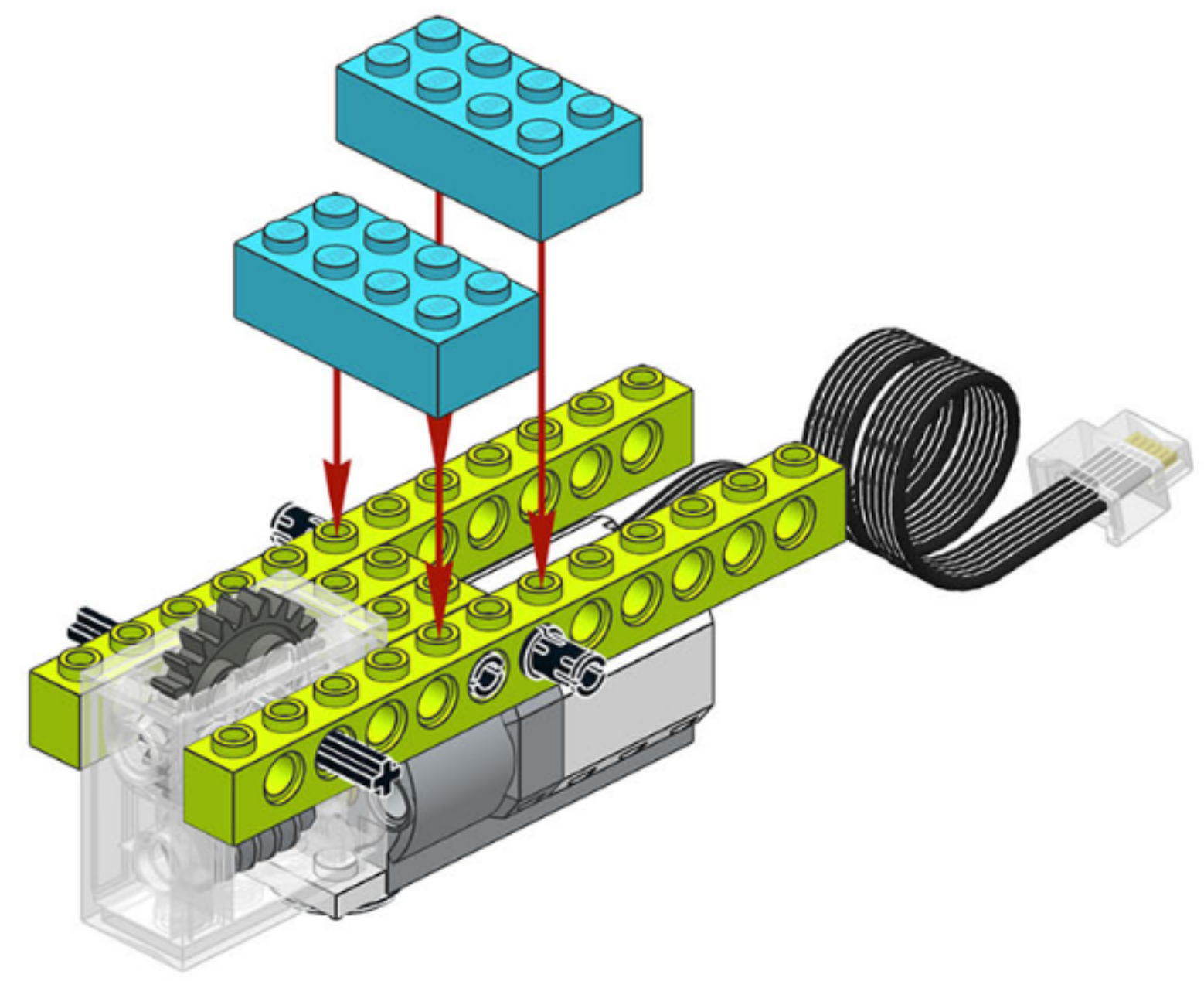
**7**



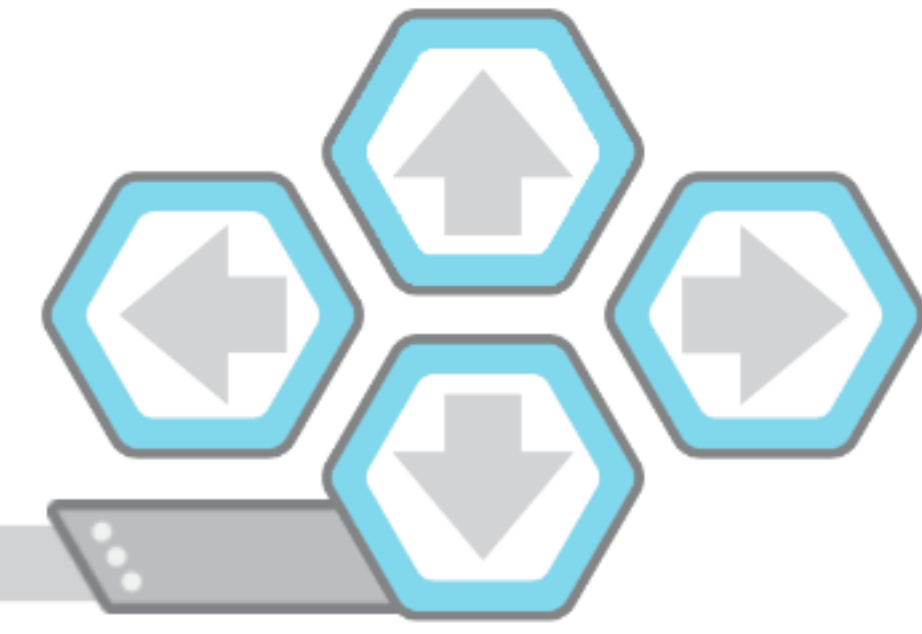


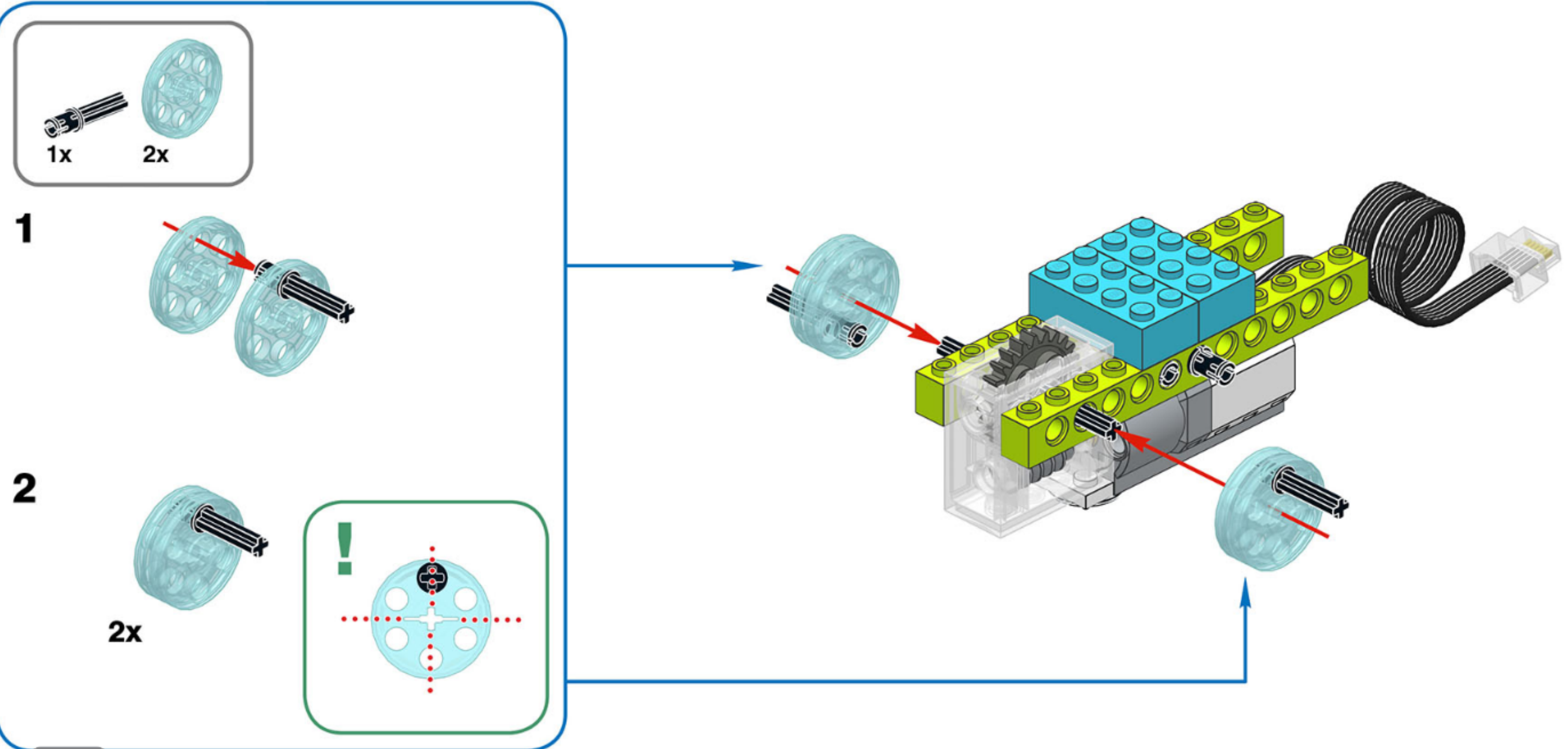


**8**



santi@smartschools.it



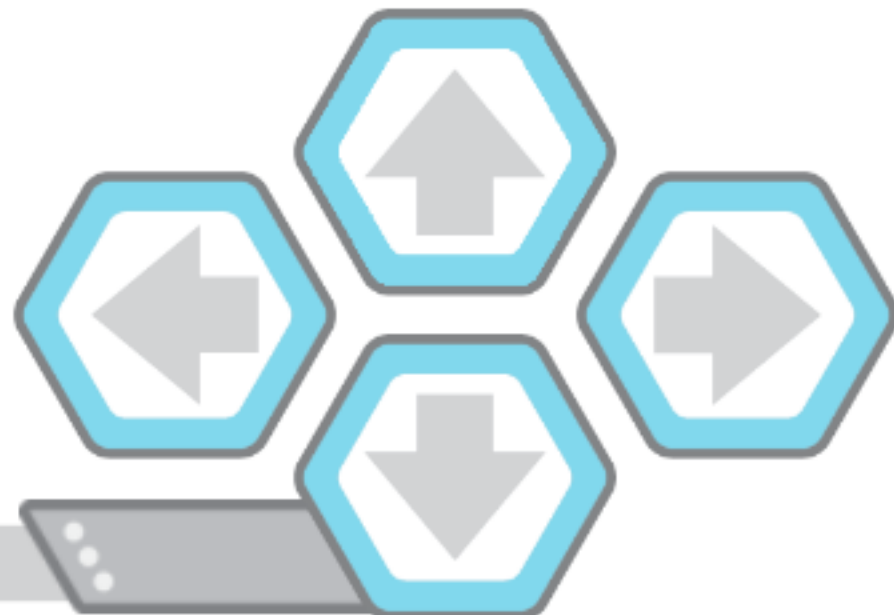


9/35



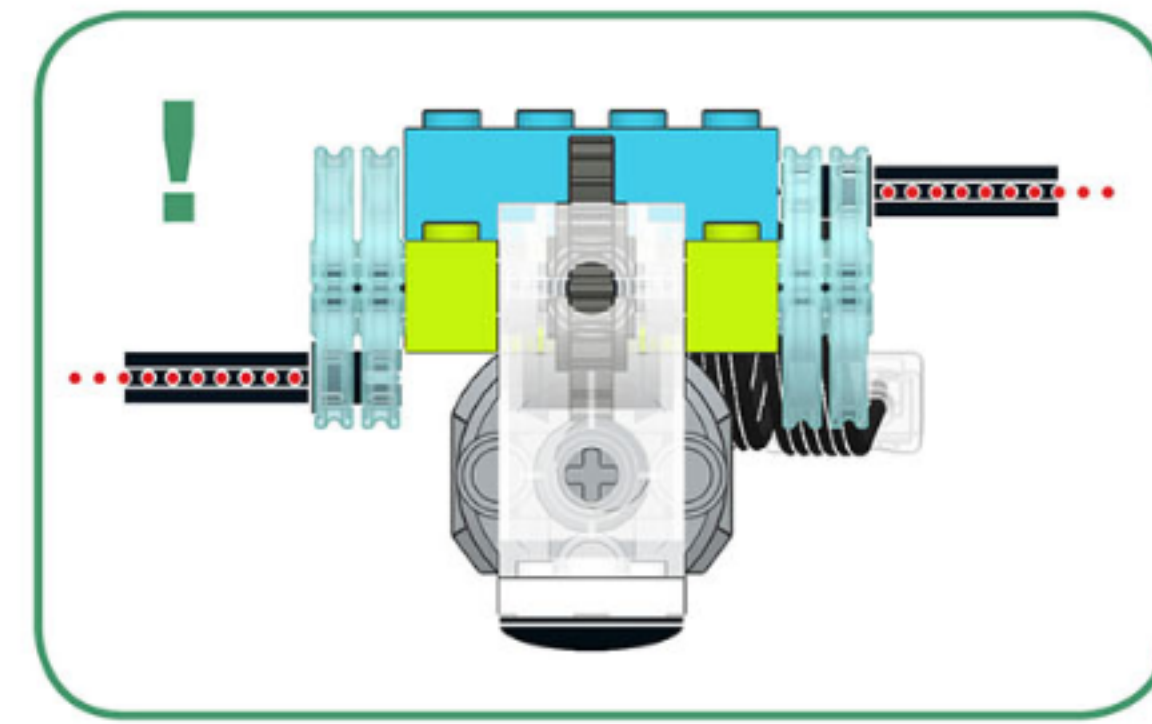
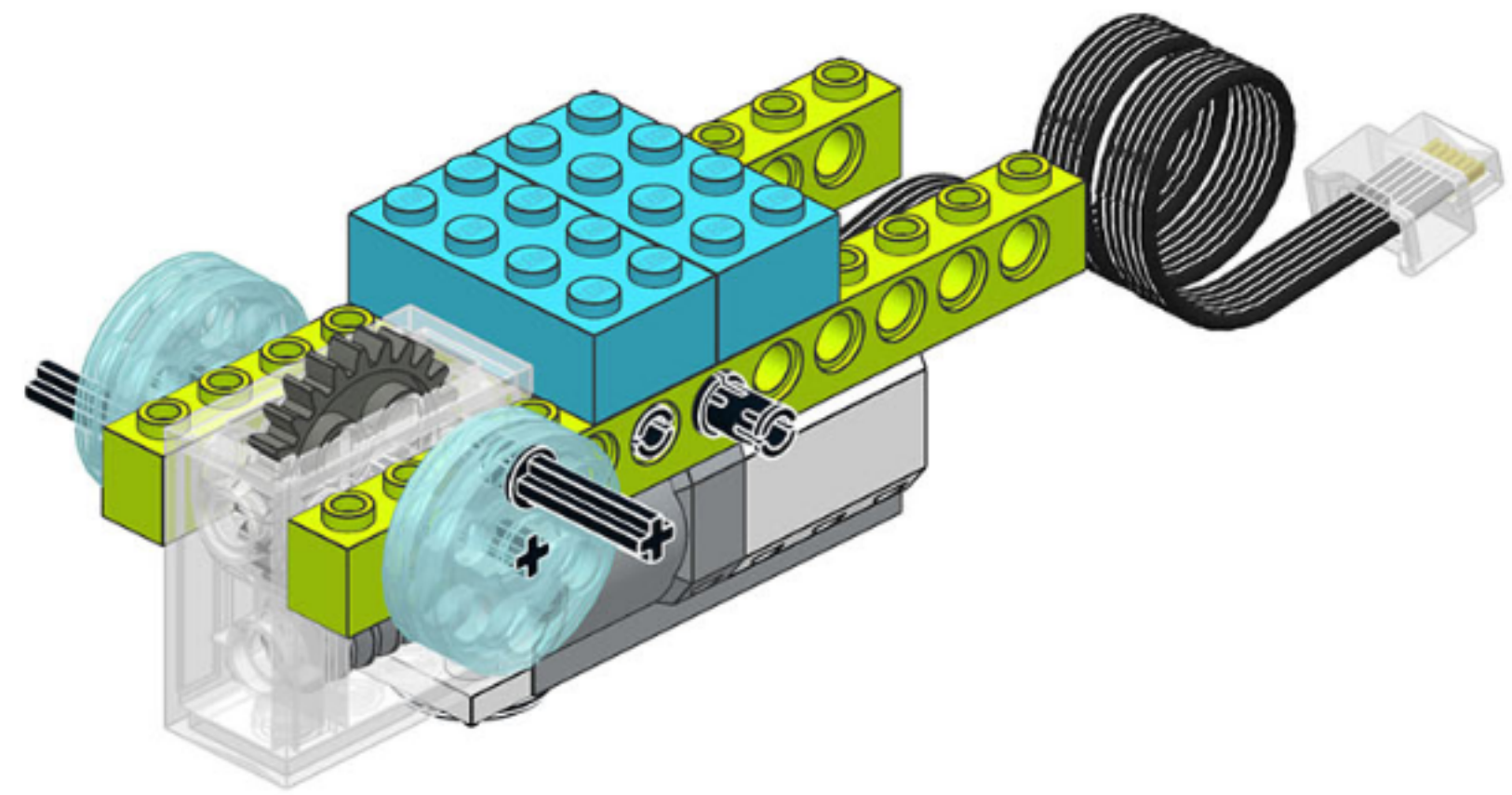
30

anti@smartschool.es

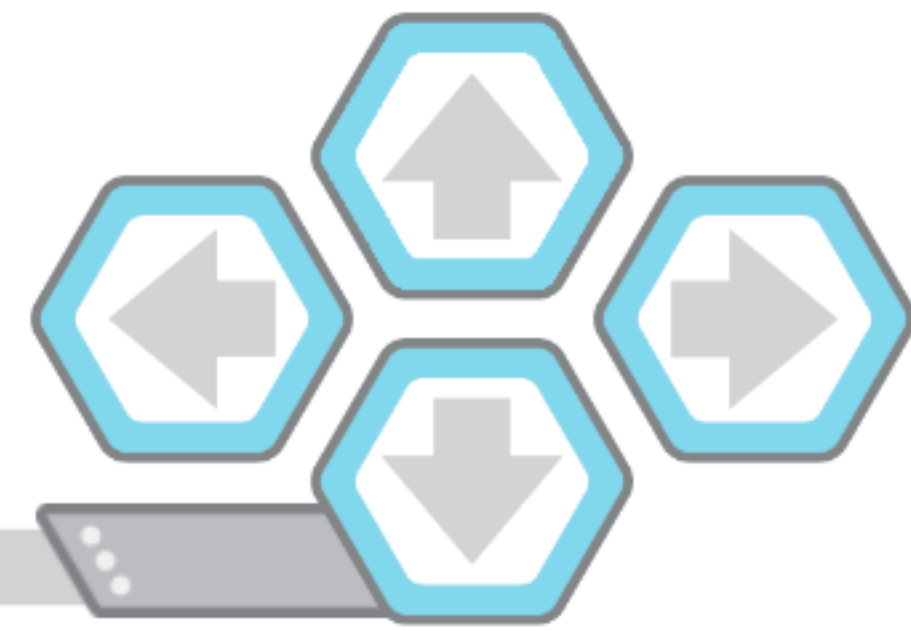


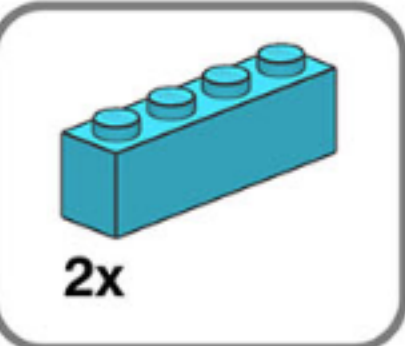


# 10

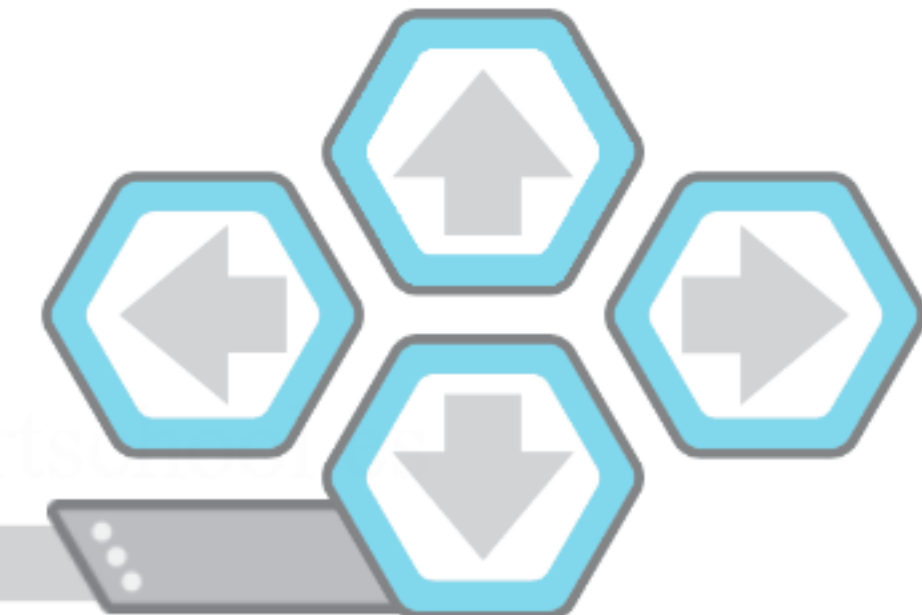
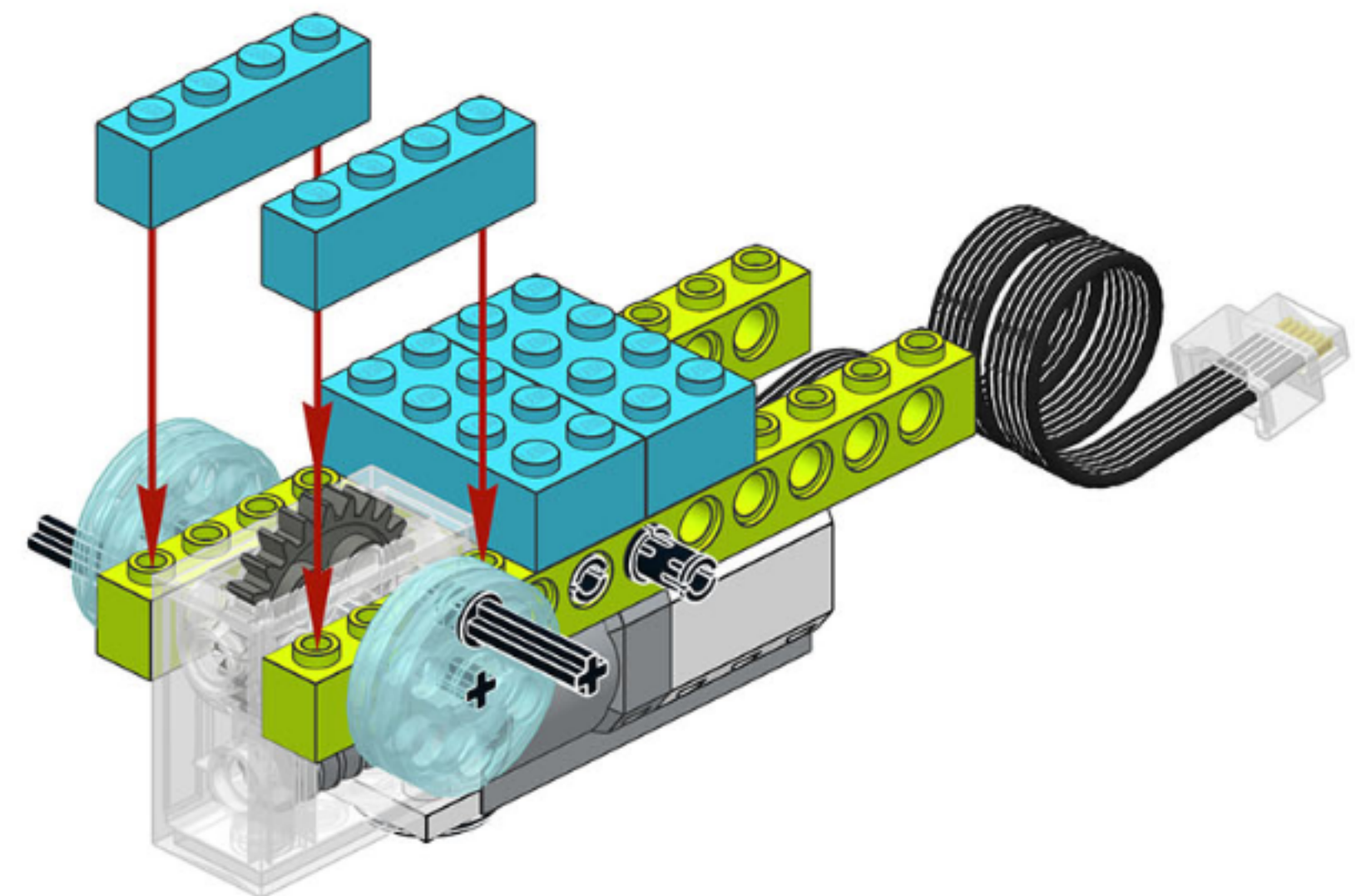


santi@smart

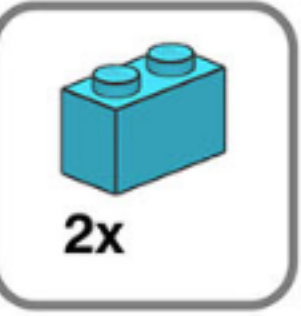




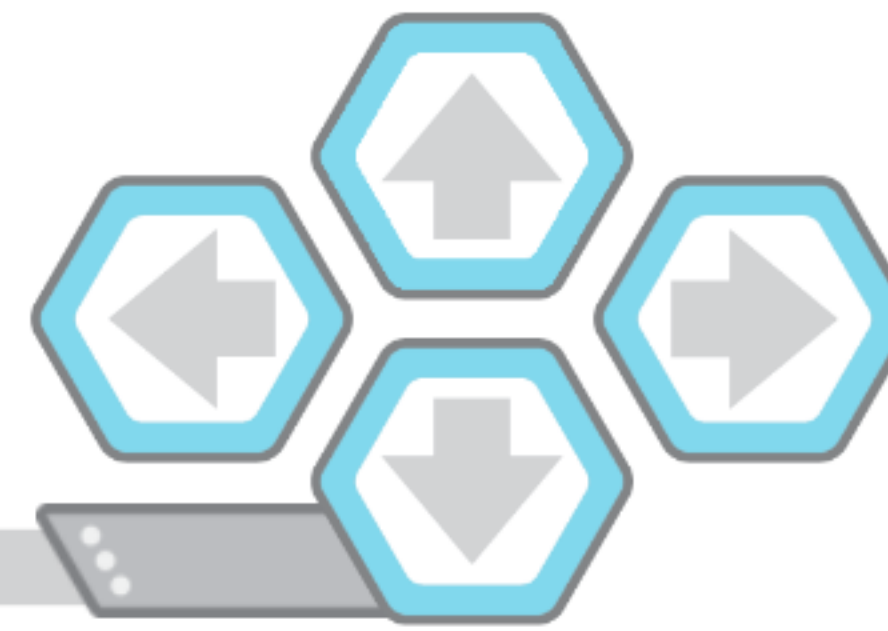
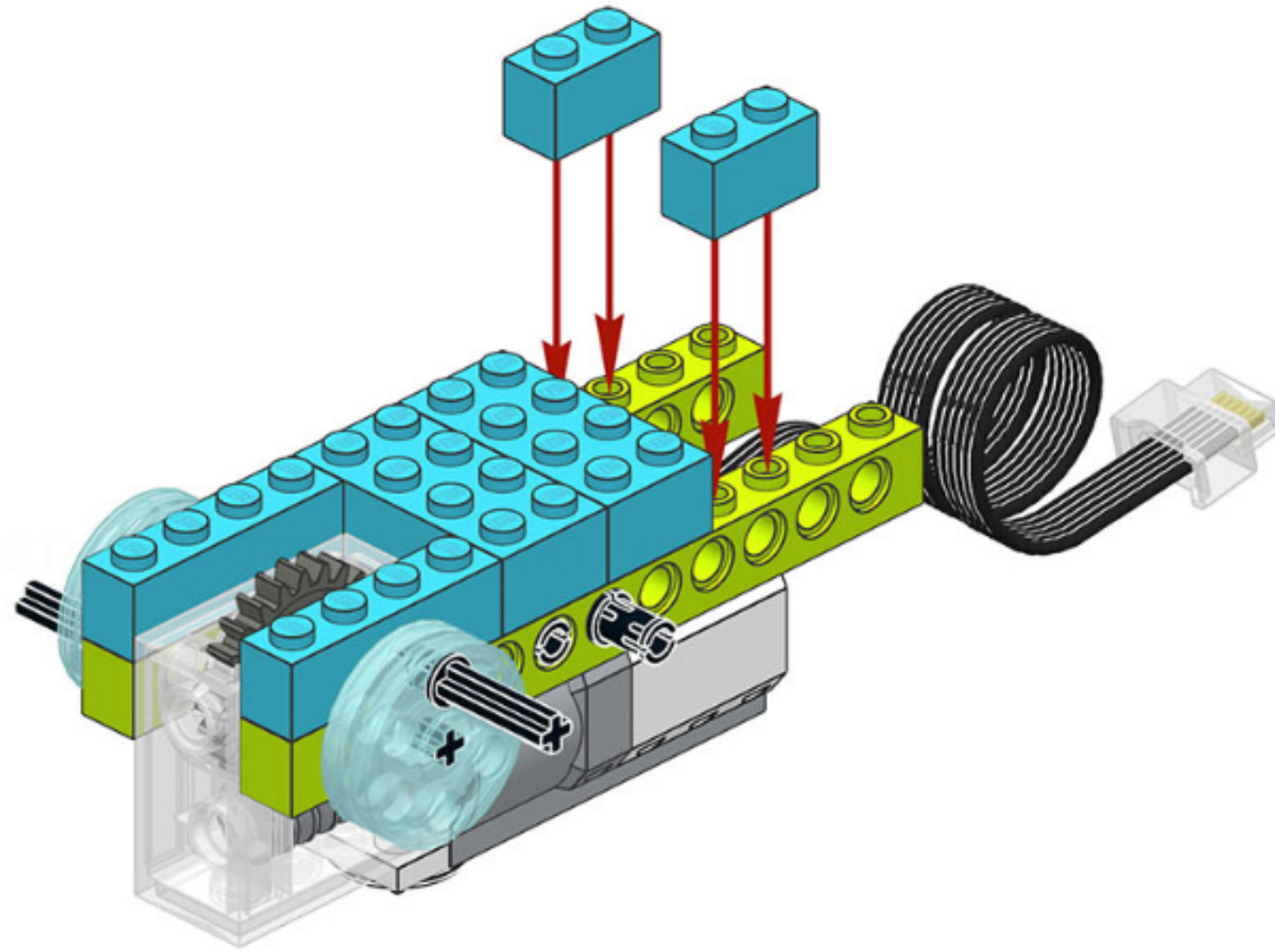
**11**

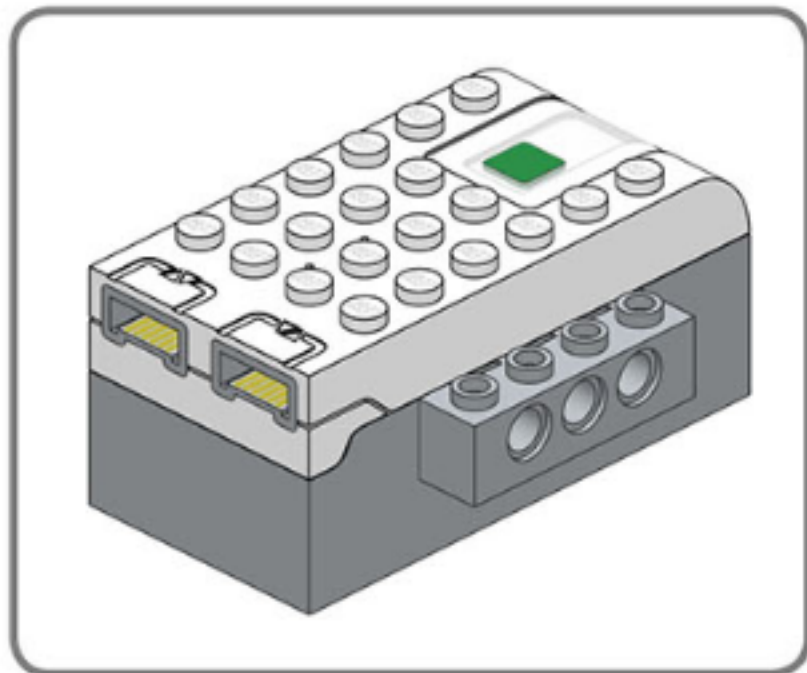




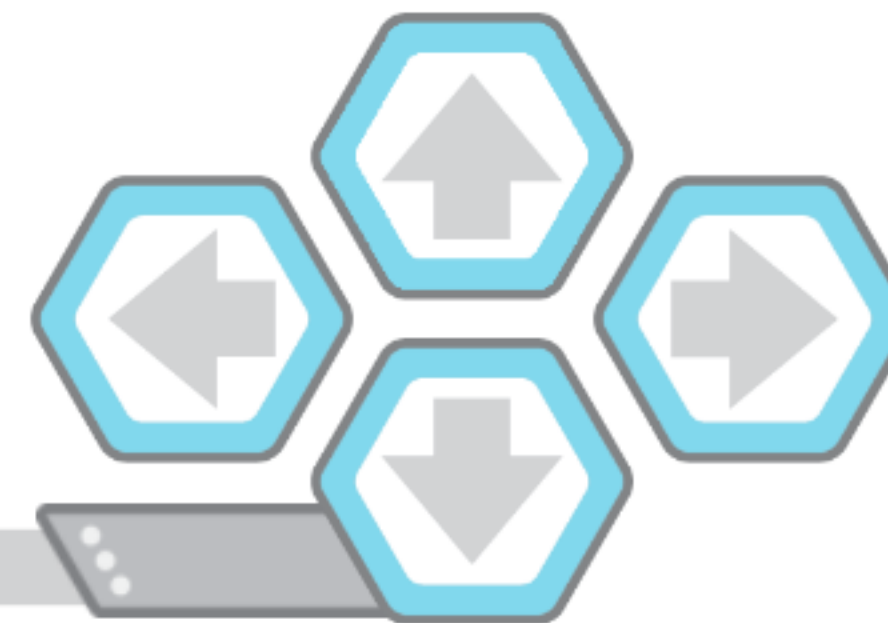
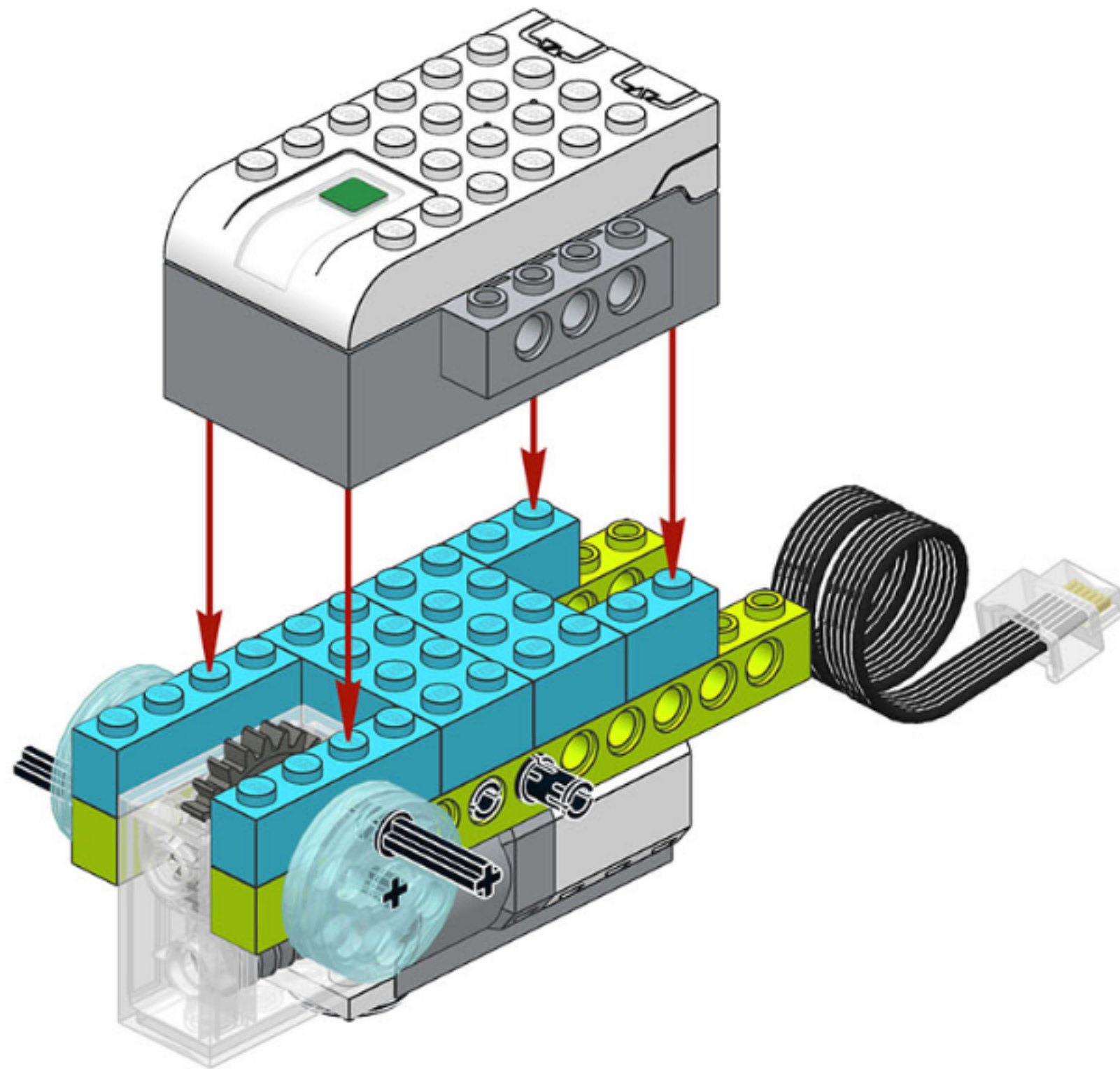


**12**



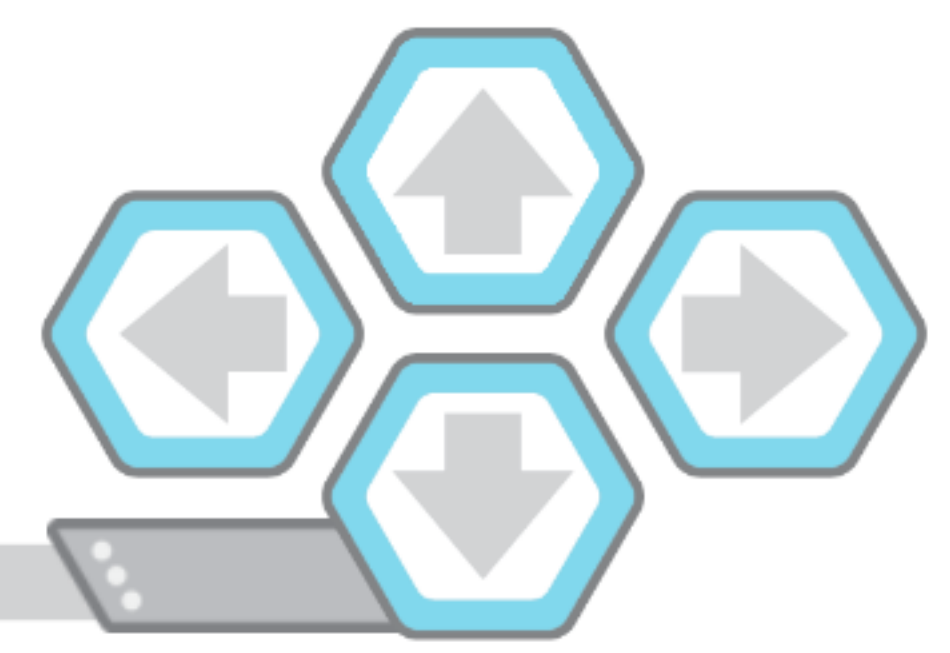
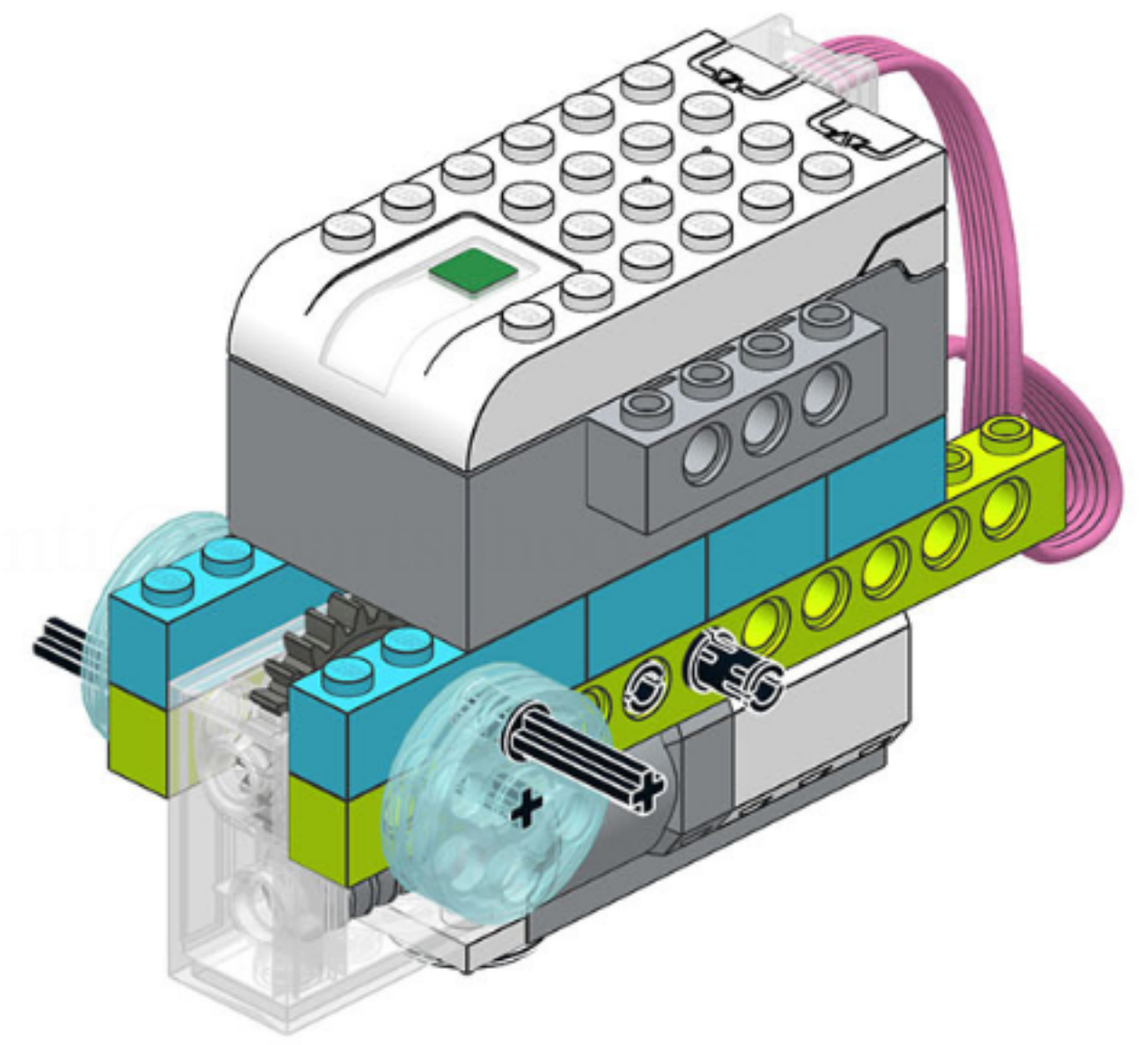


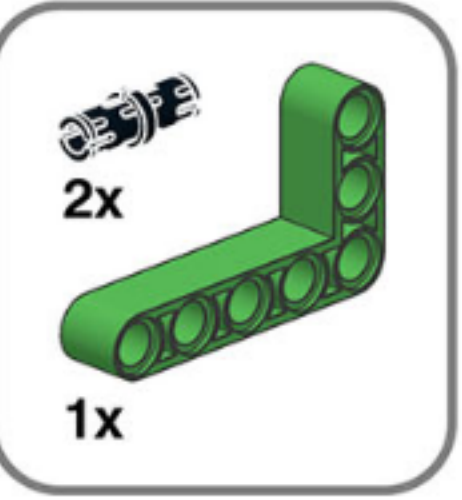
**13**



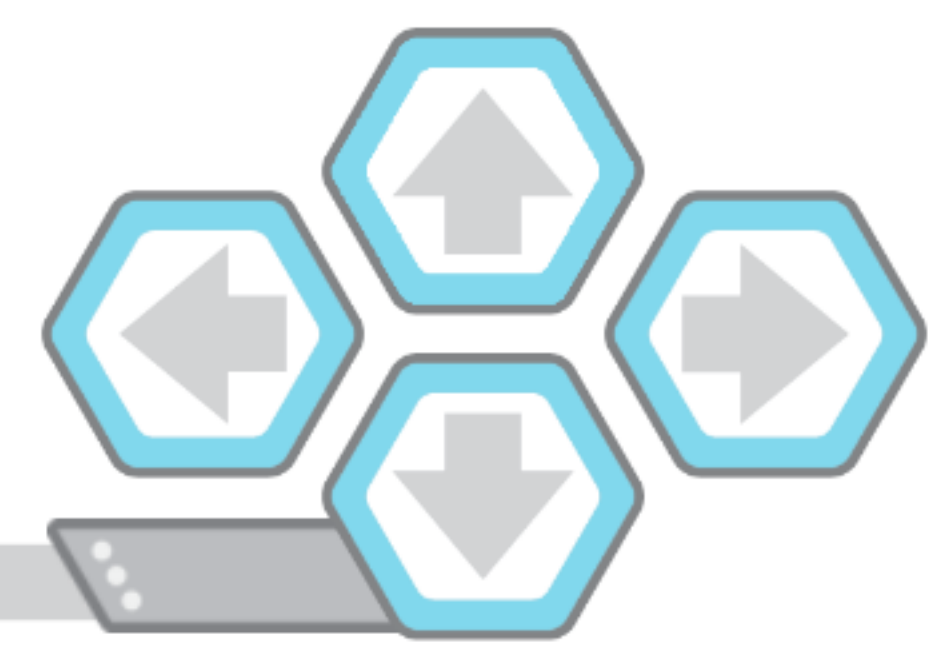
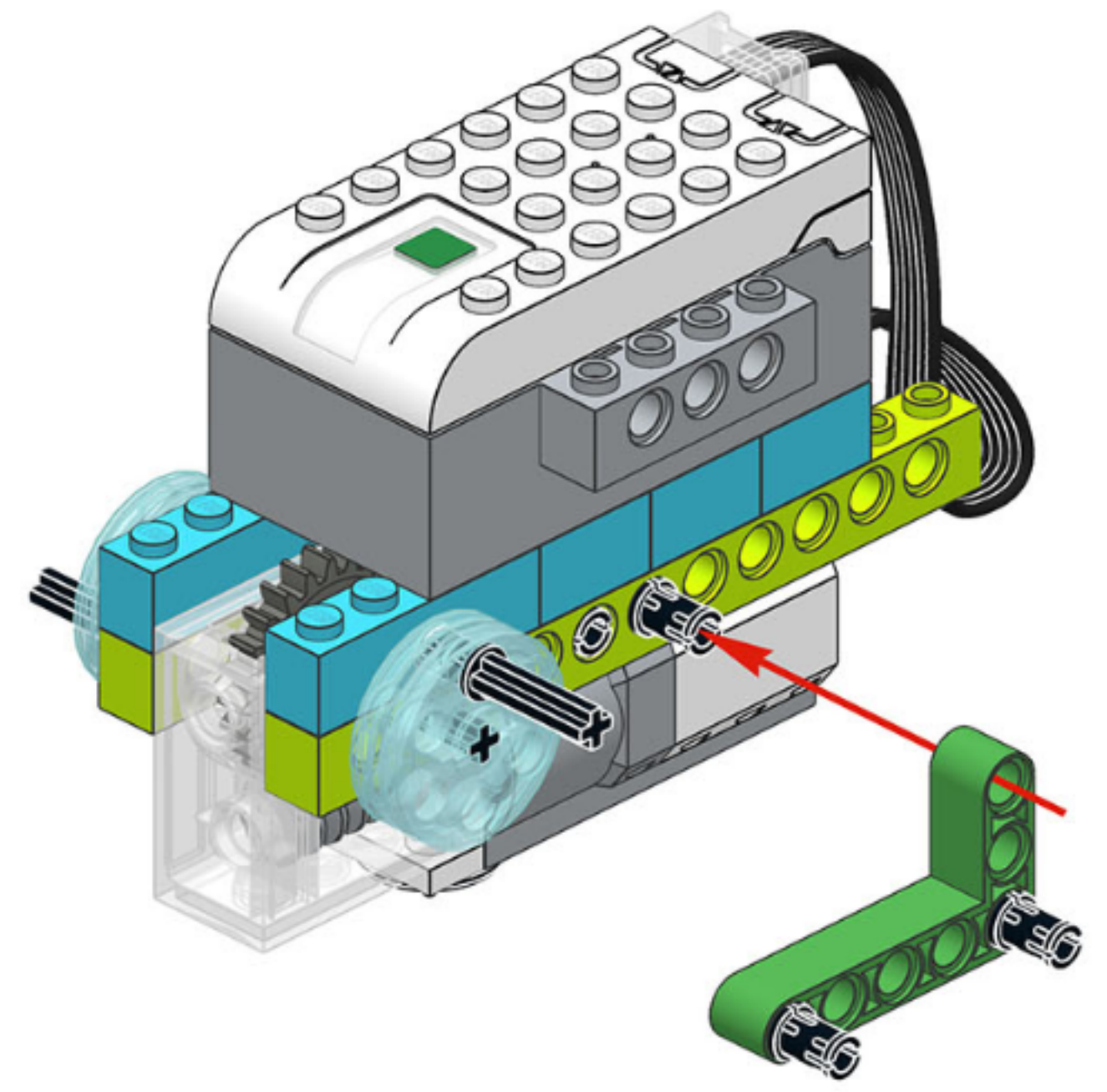


# 14



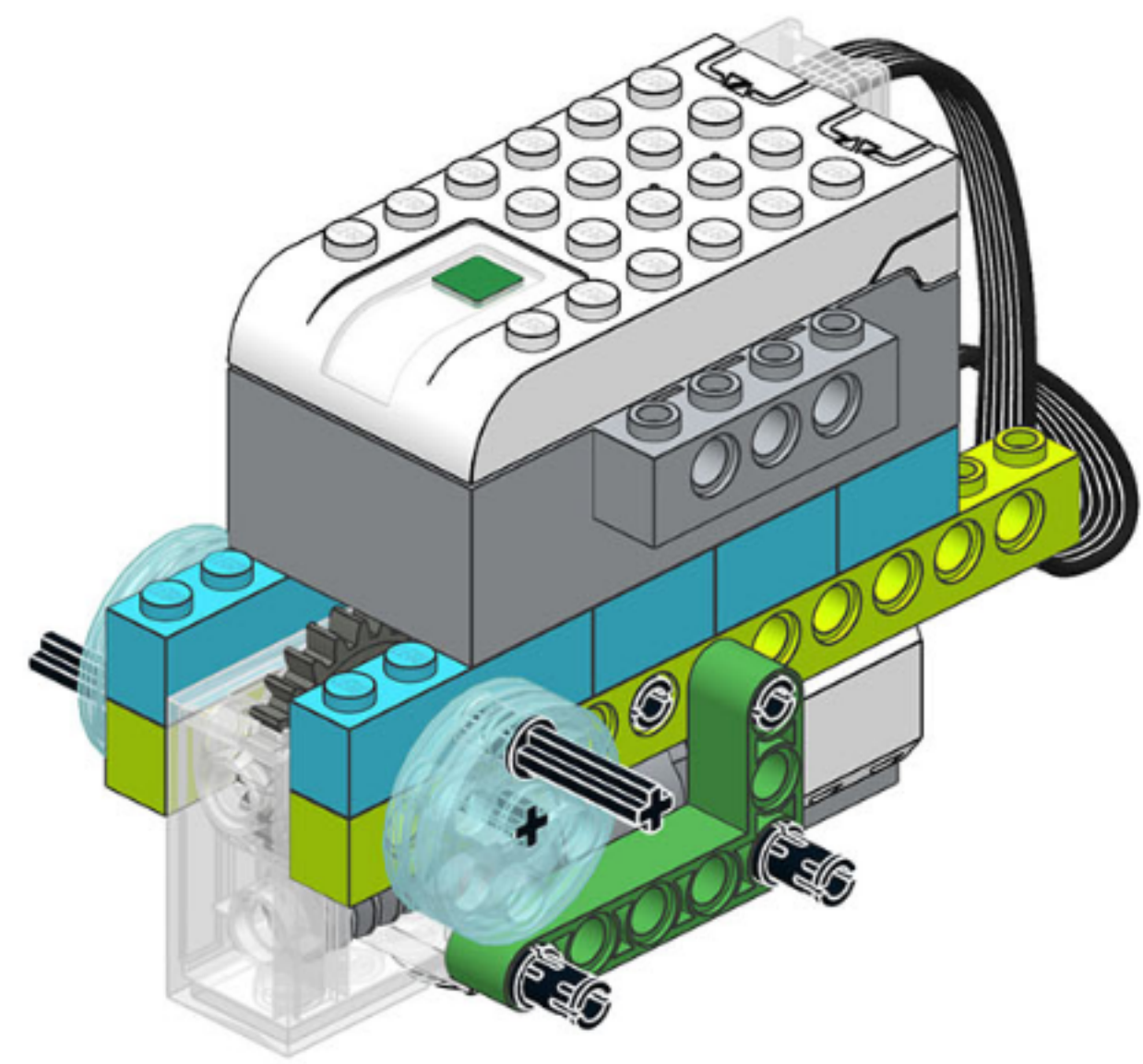


# 15





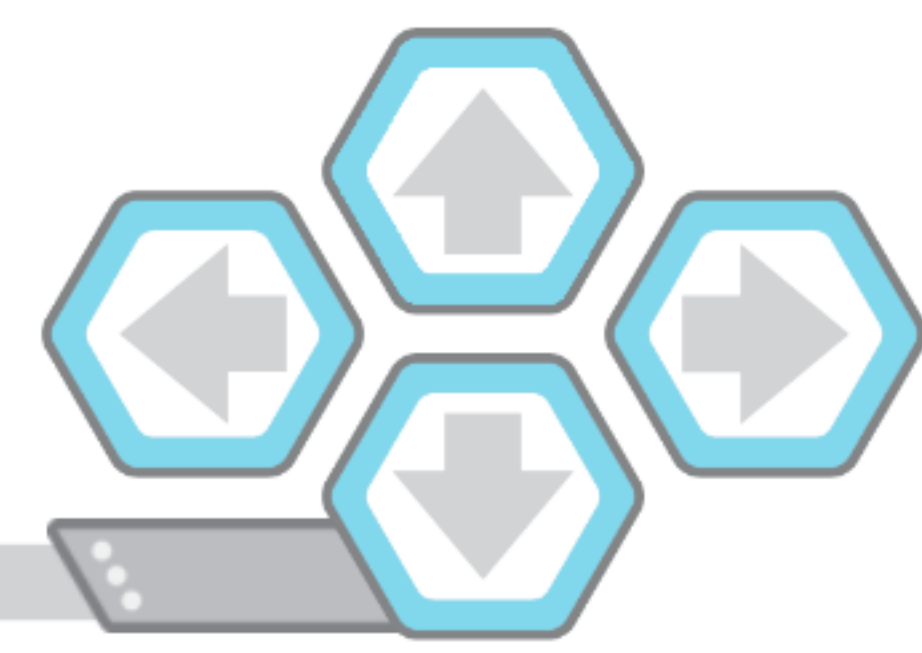
# 16 [santi@smartschool.es](mailto:santi@smartschool.es)



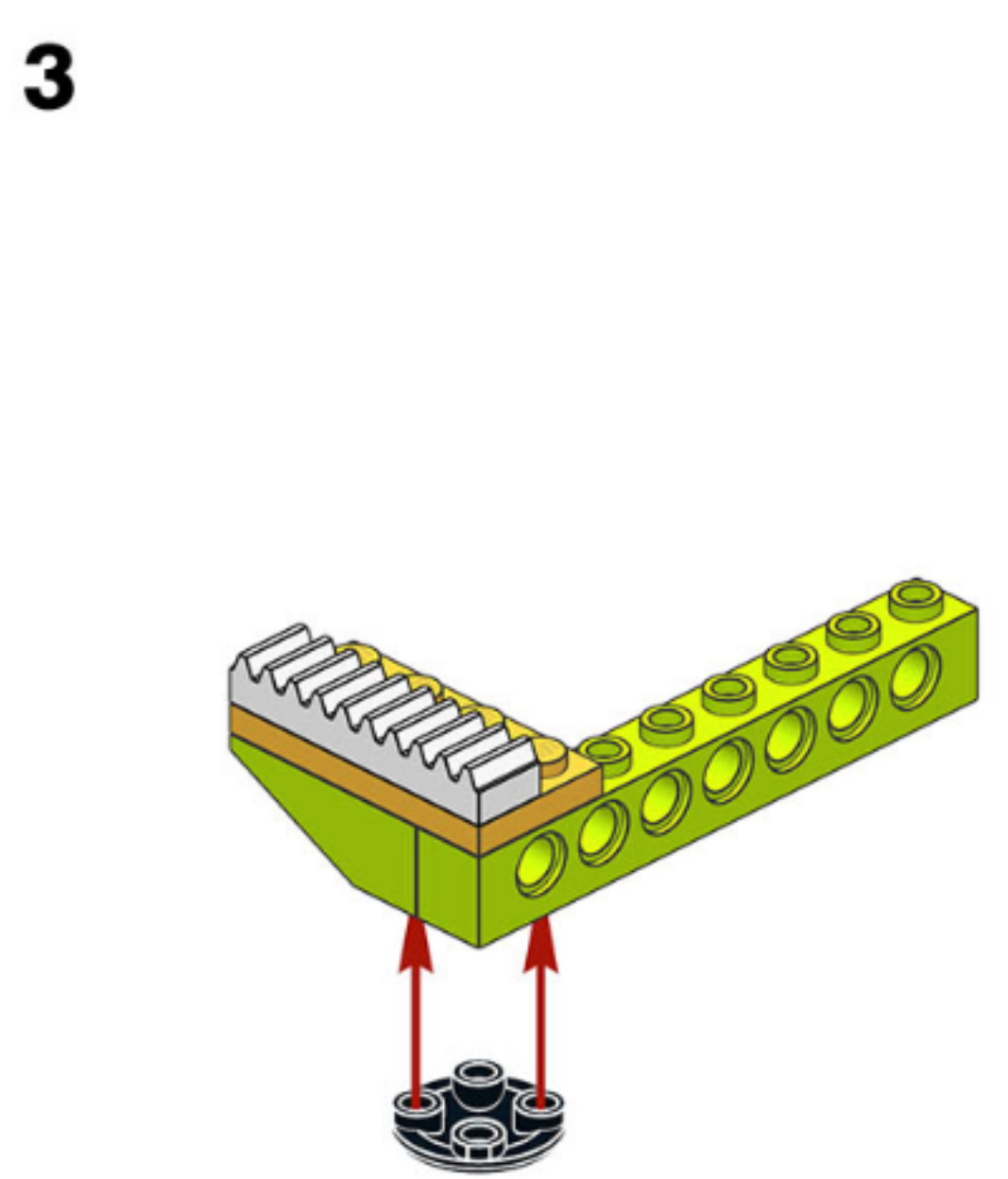
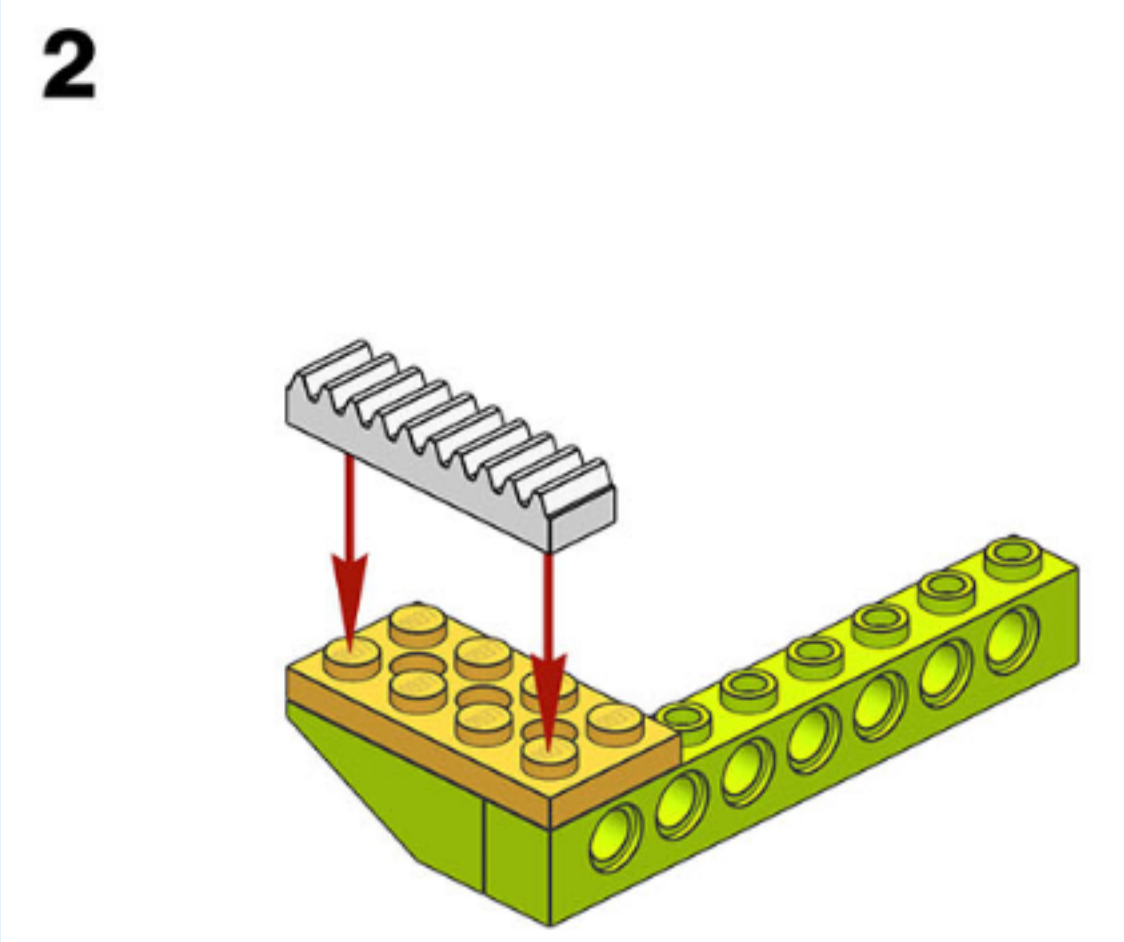
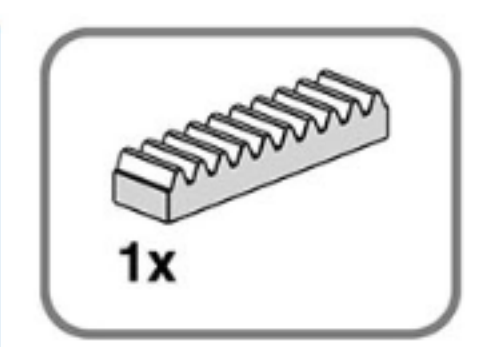
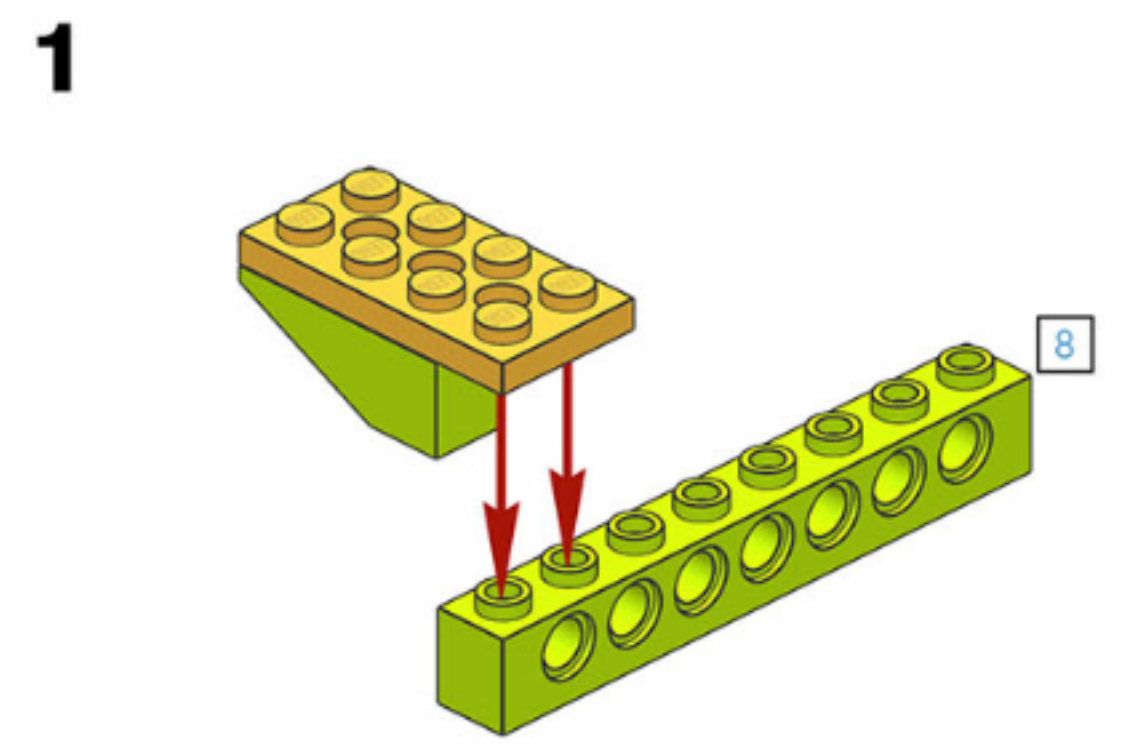
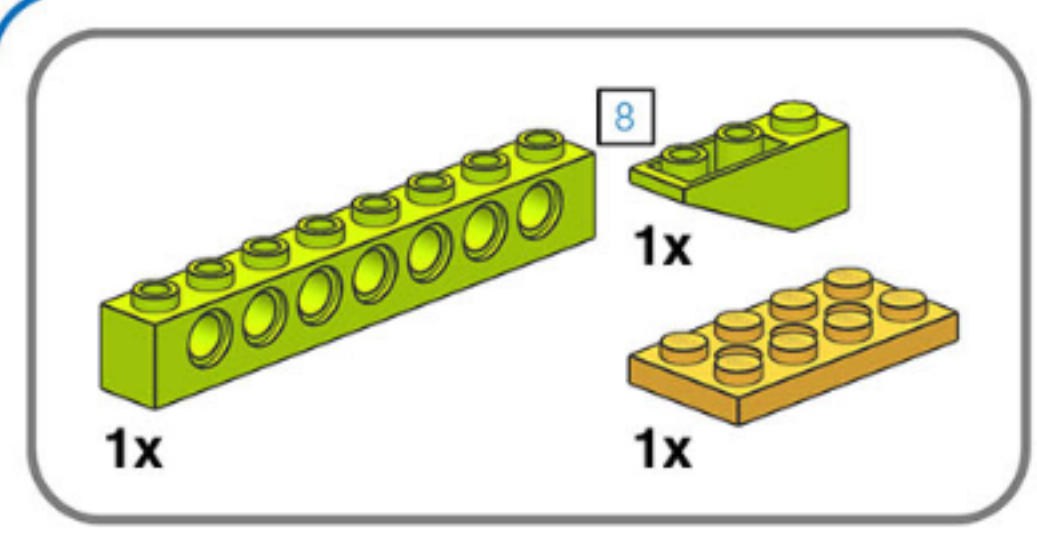
16/35



37



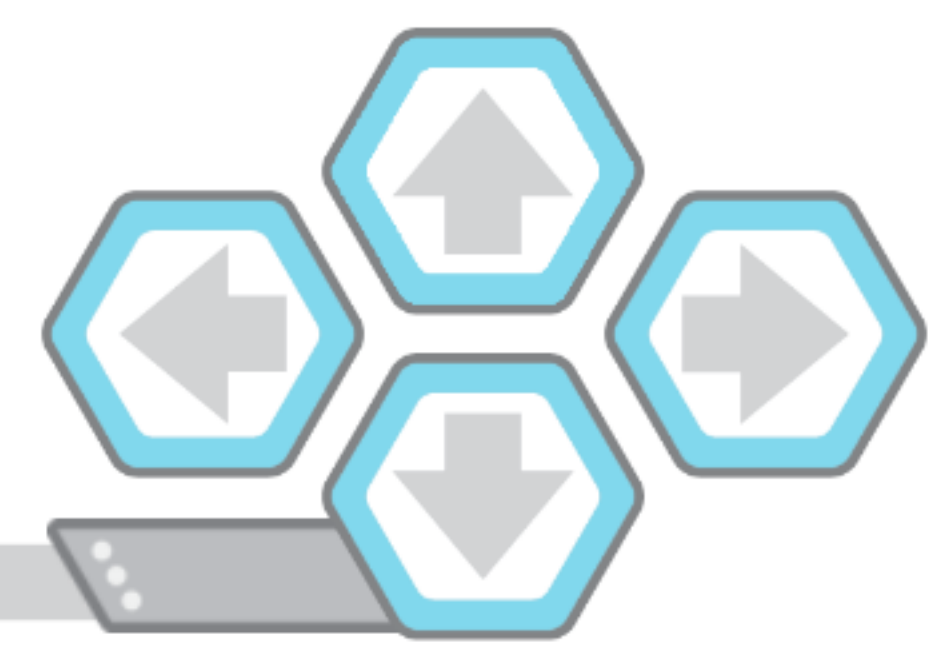
santi@smartschool.es



17/35

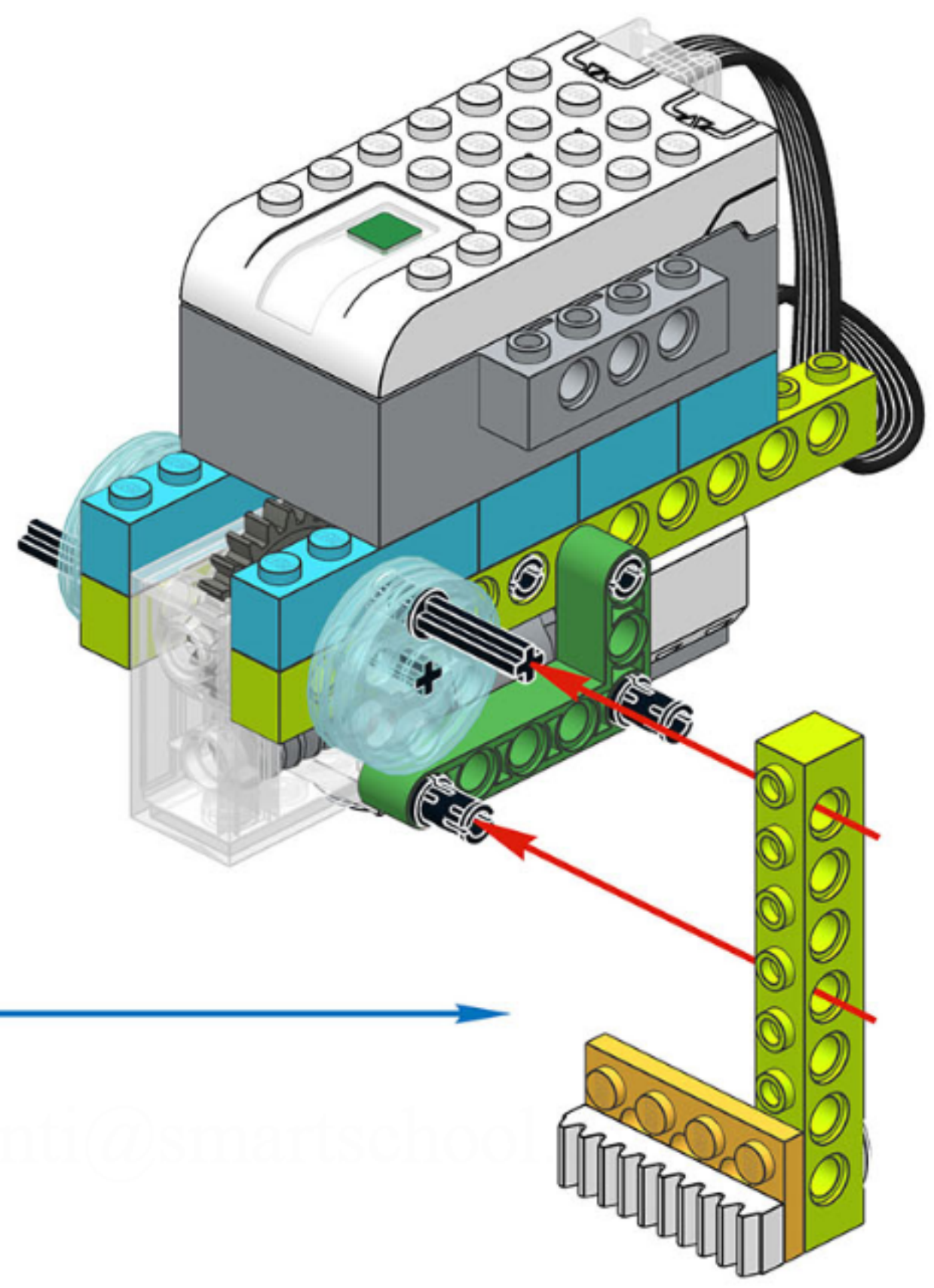
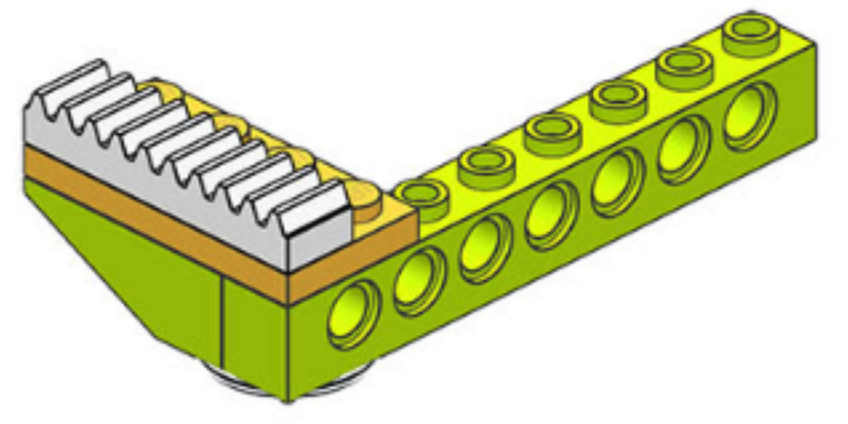


38





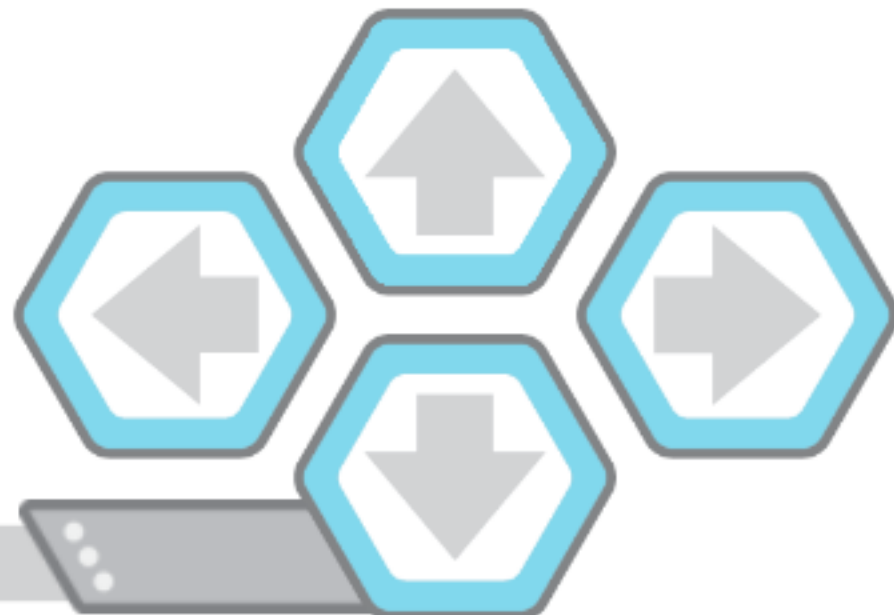
4

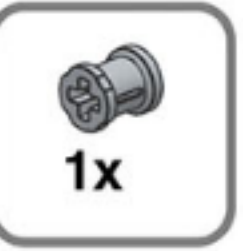


18/35

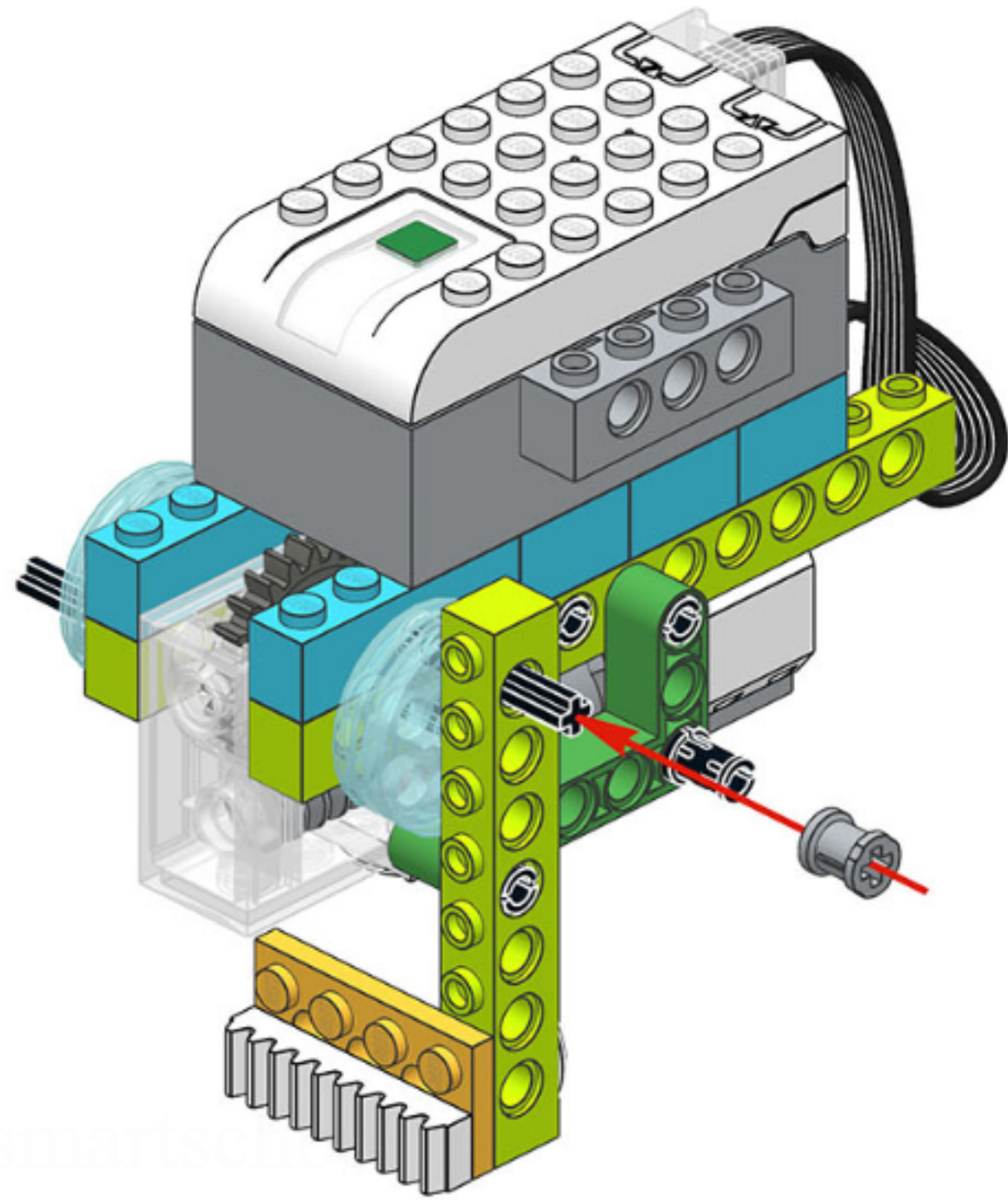


39

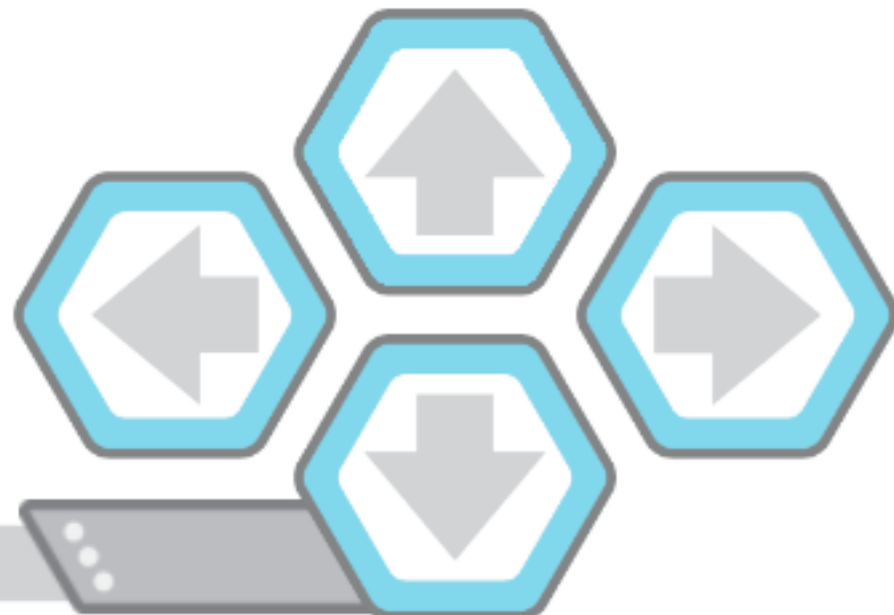




**19**



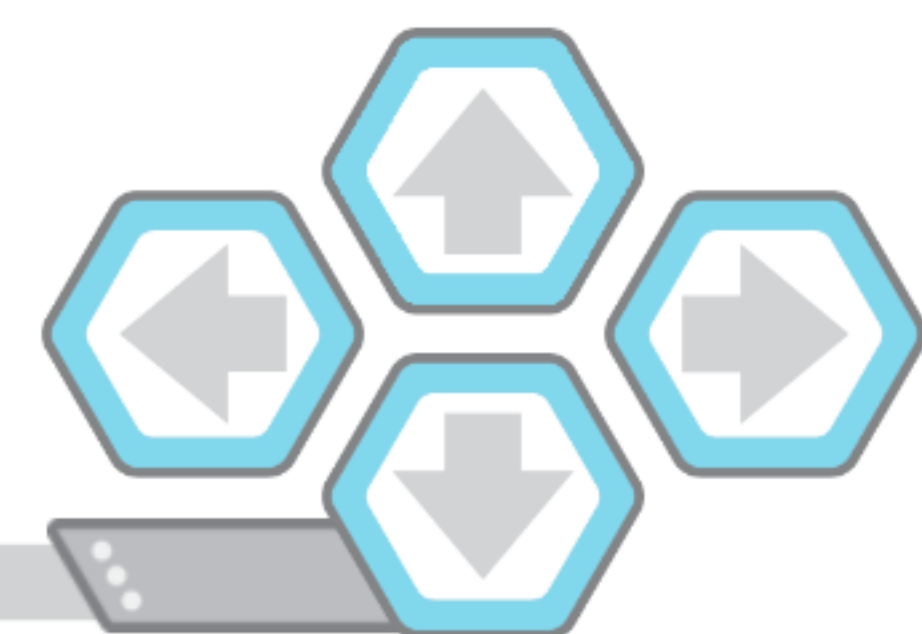
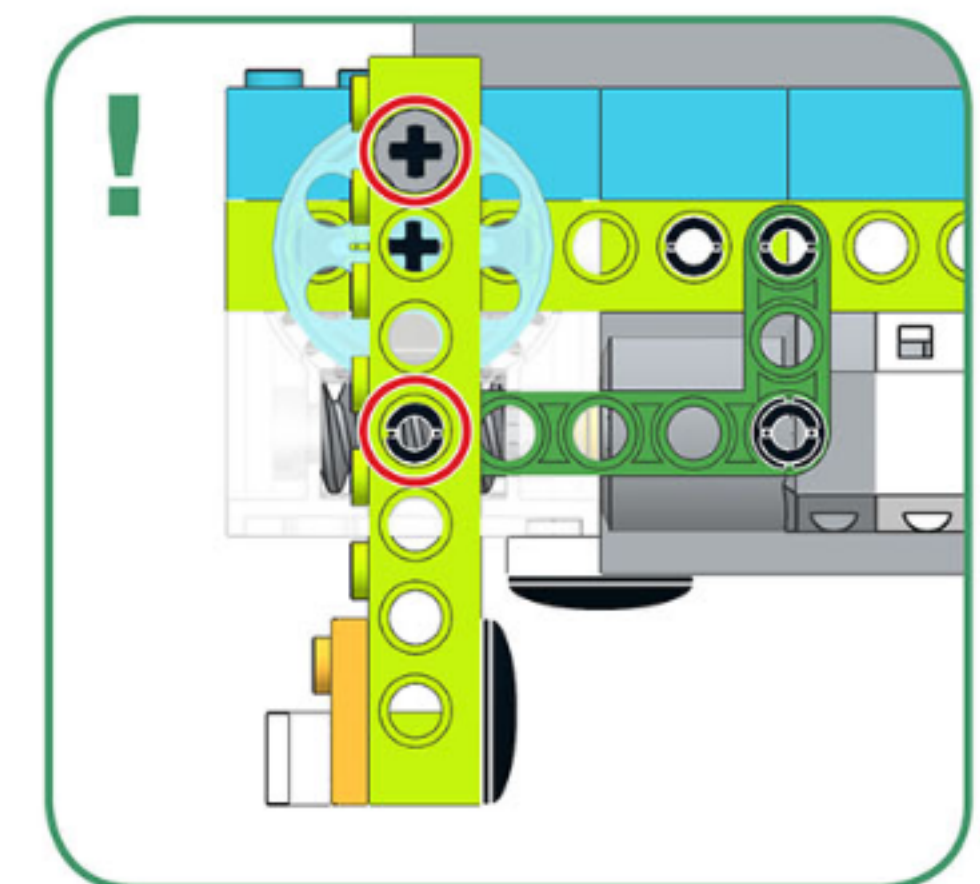
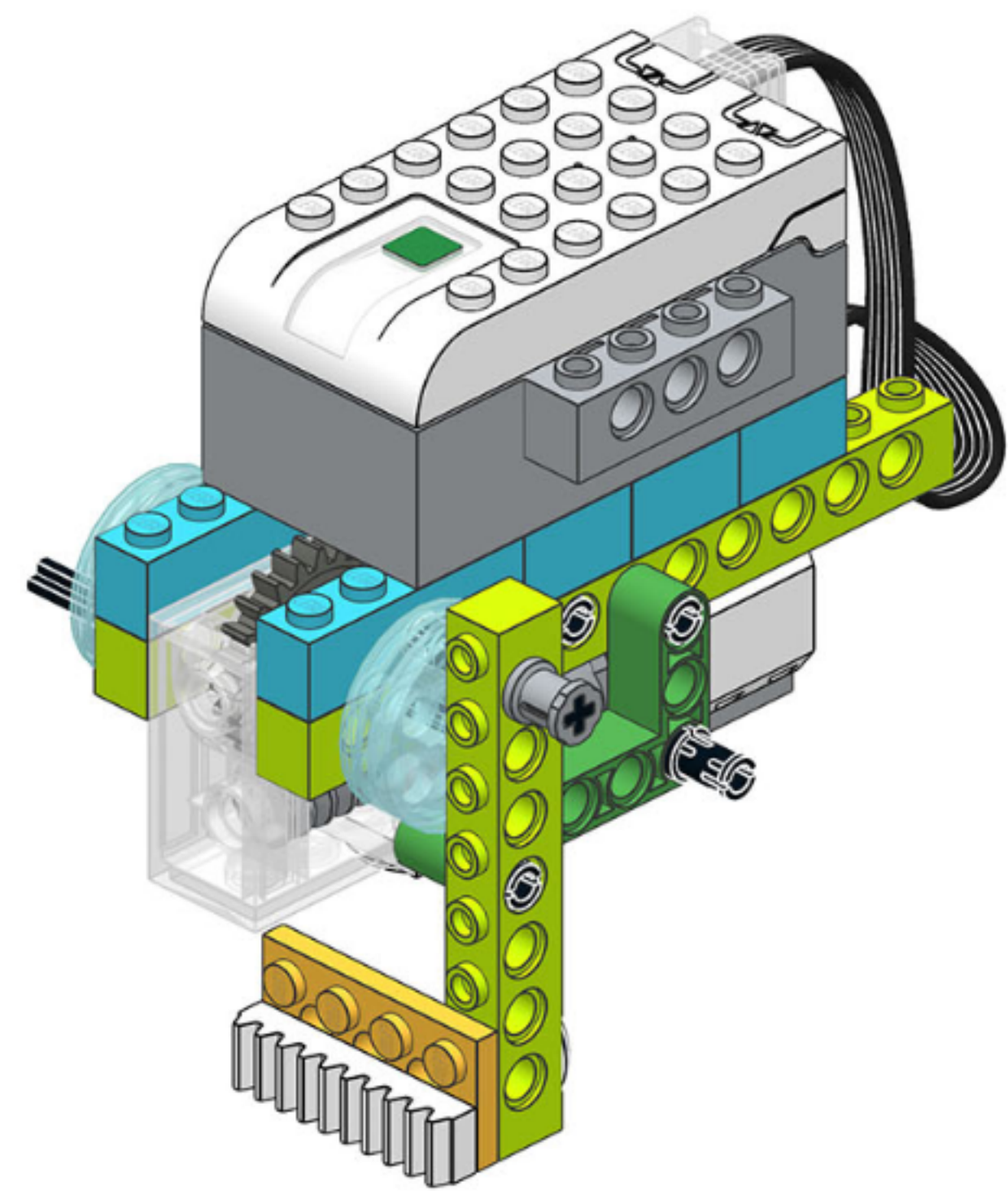
santi@smartschool.it

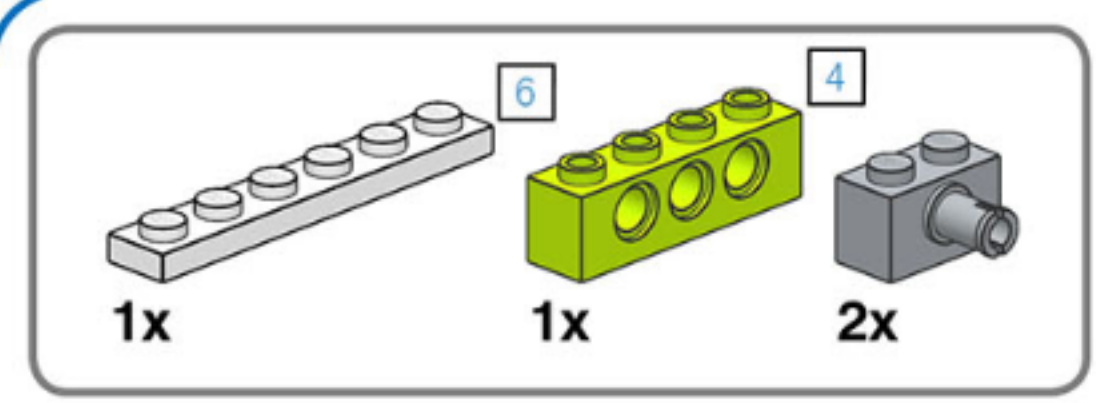




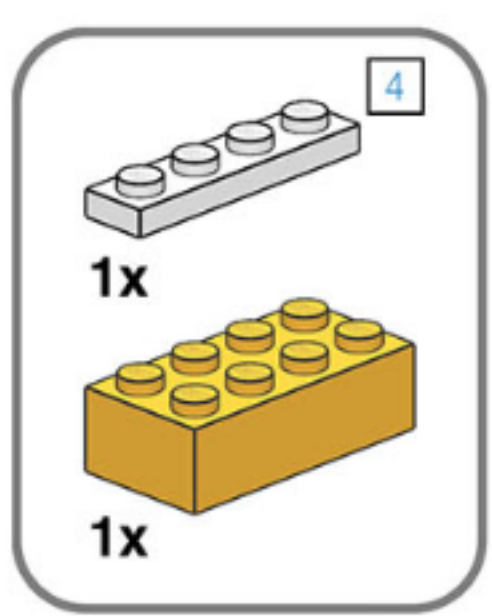
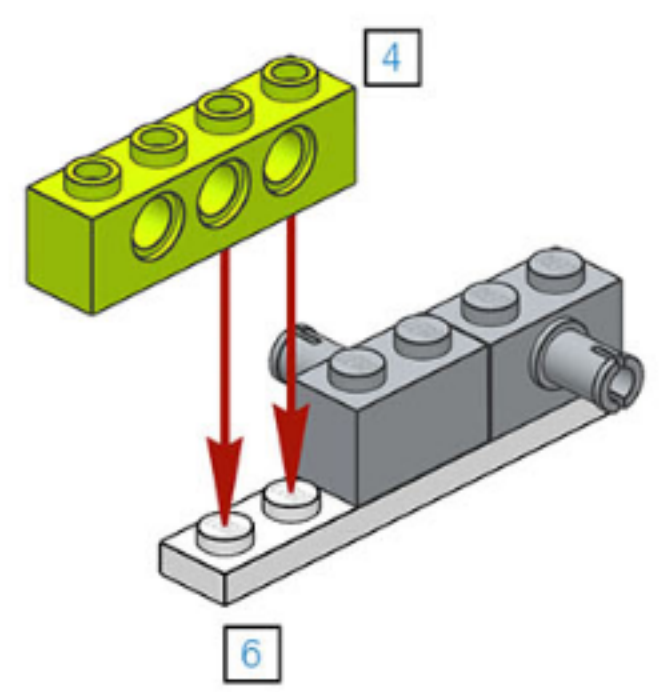
santi@smartschool.es

**20**

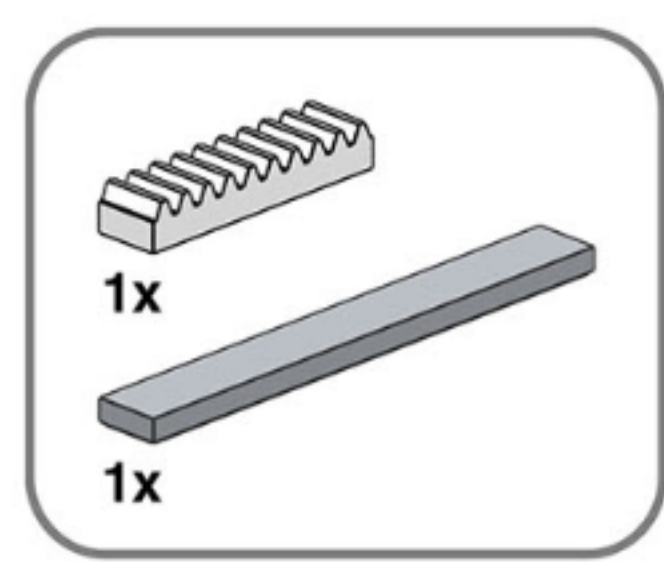
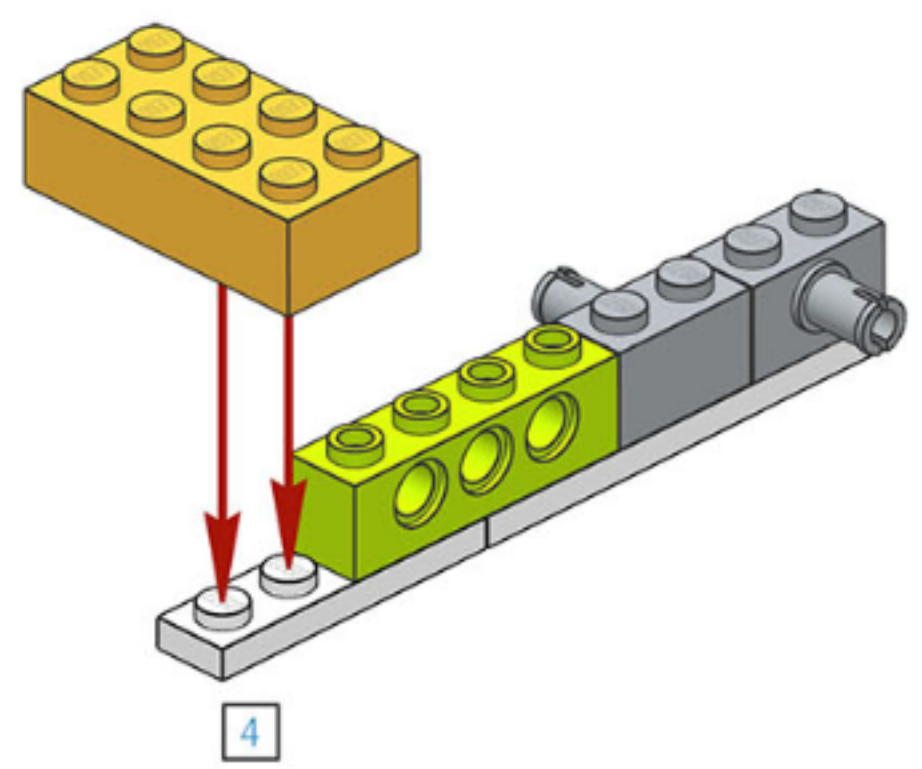




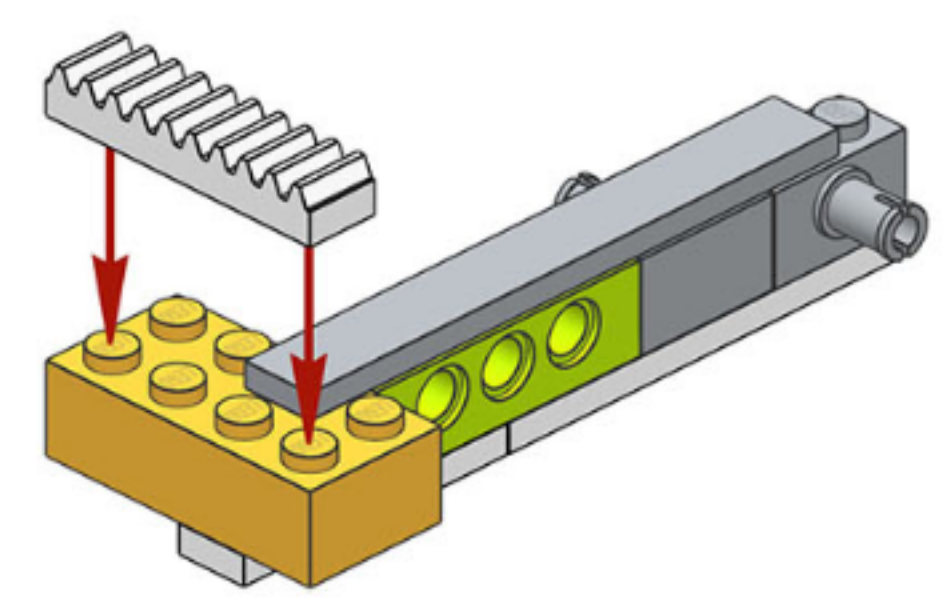
**1**



**2**

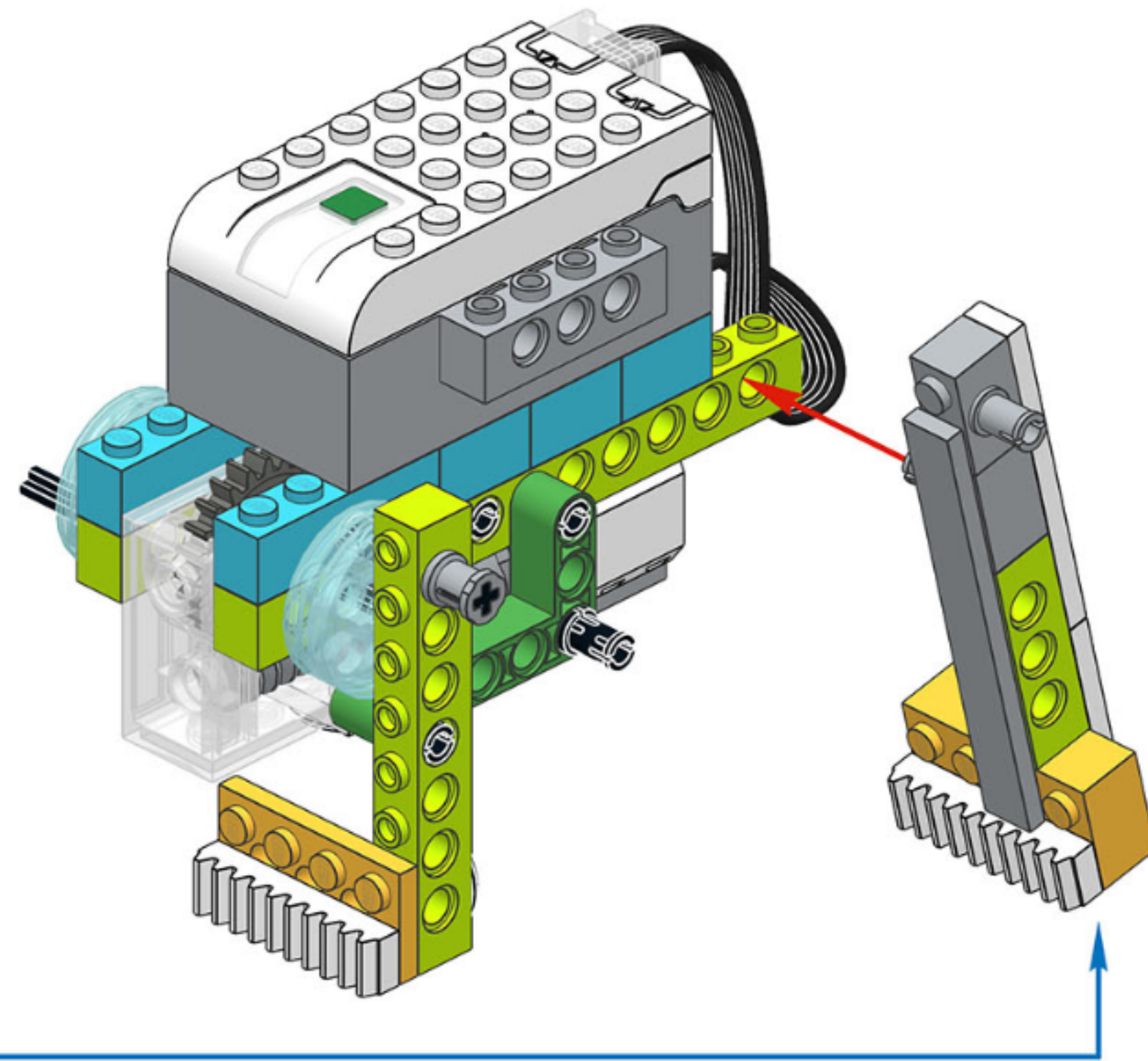
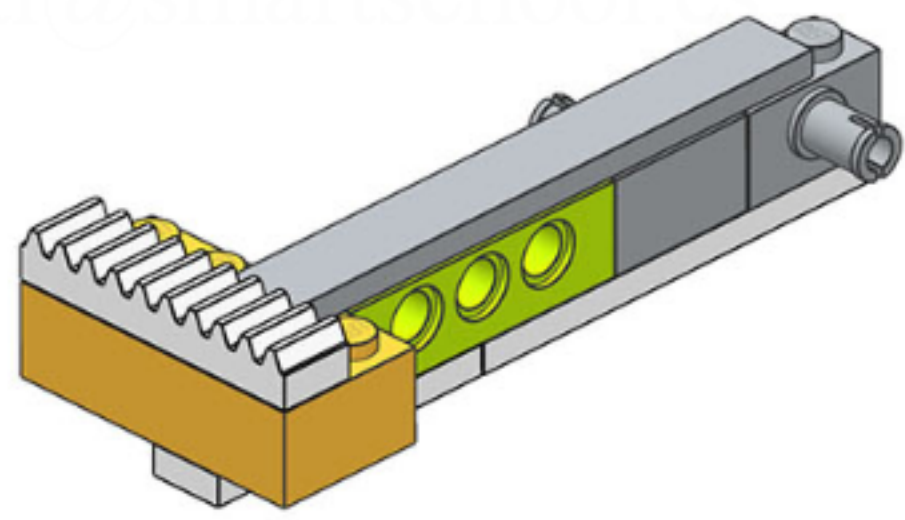


**3**





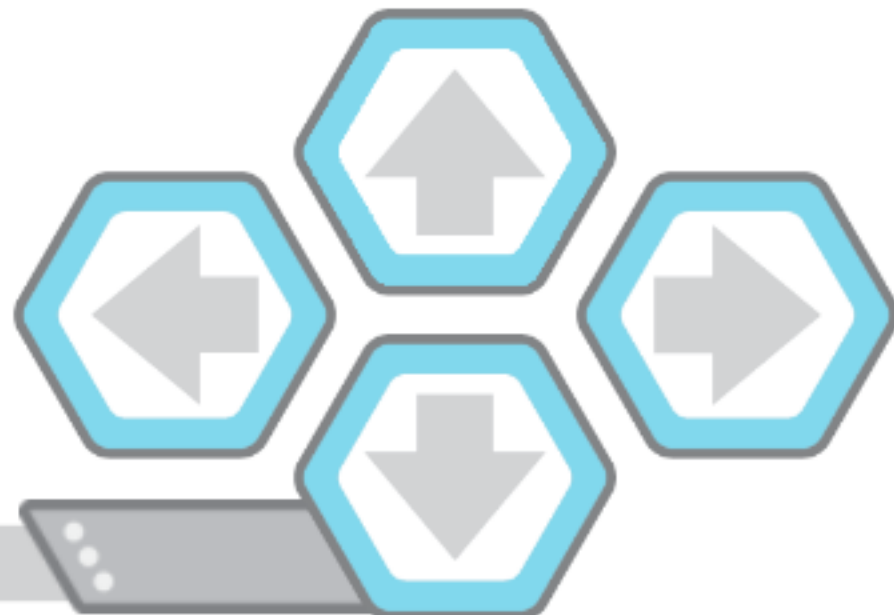
4



22/35

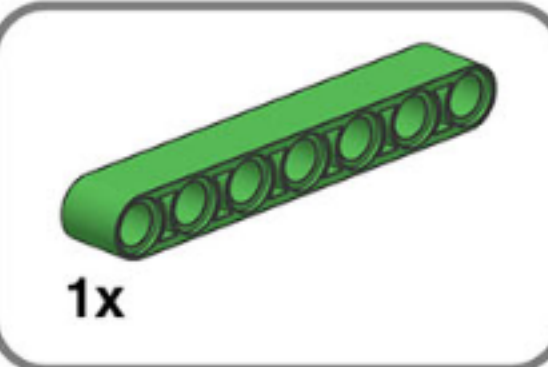


43

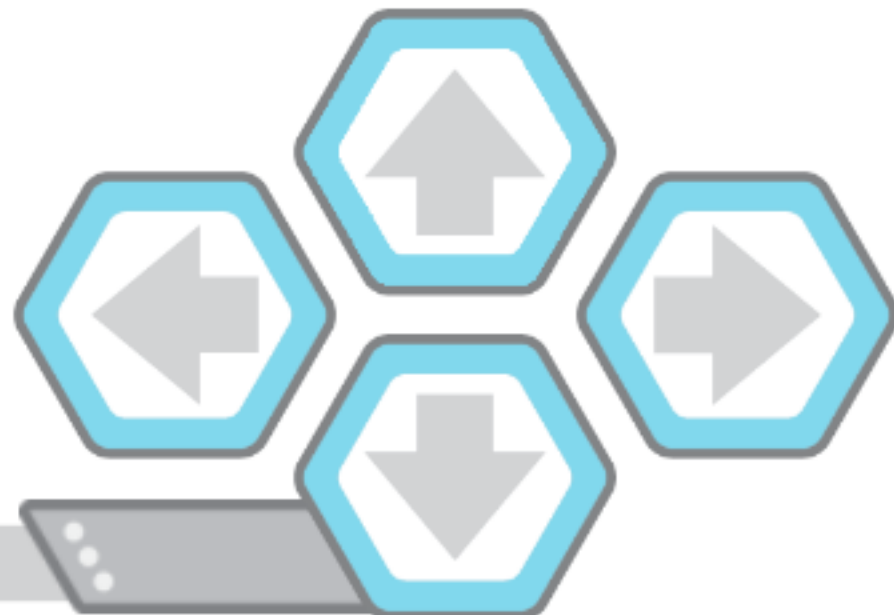
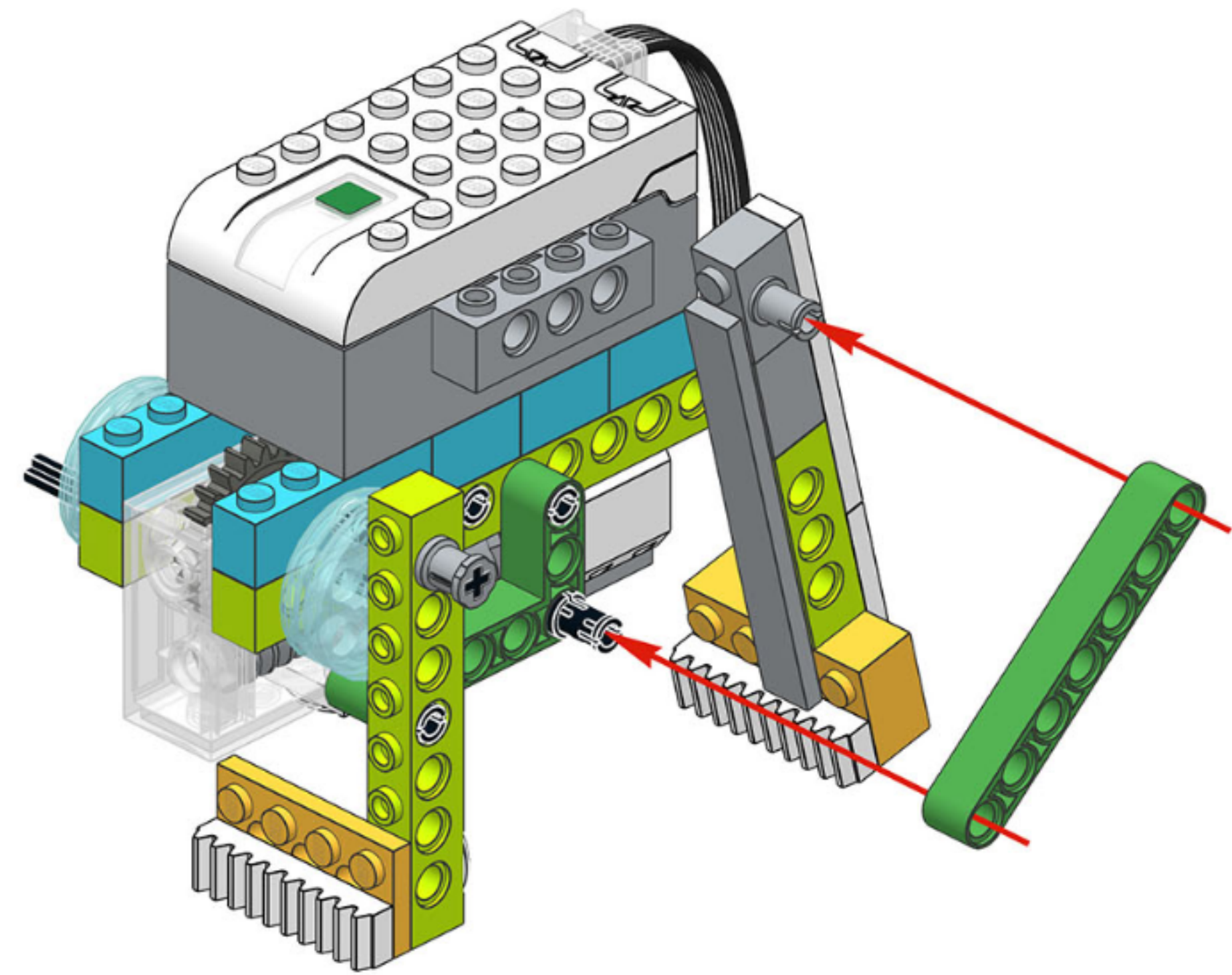




santi@smartschool.es

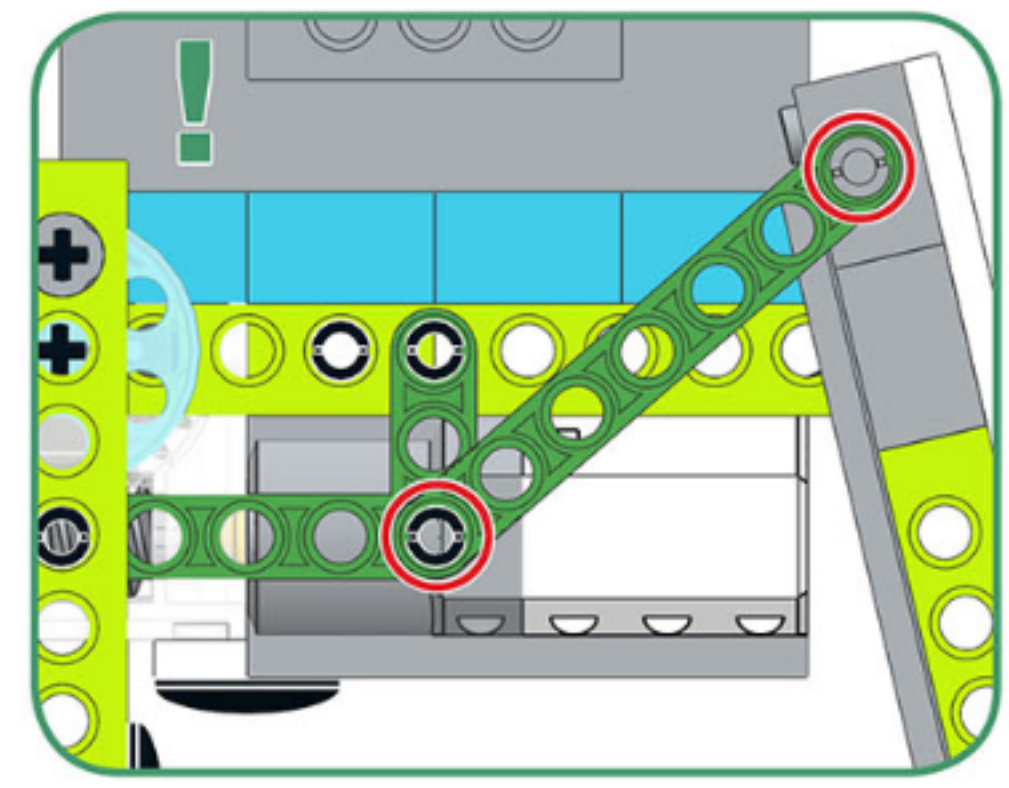
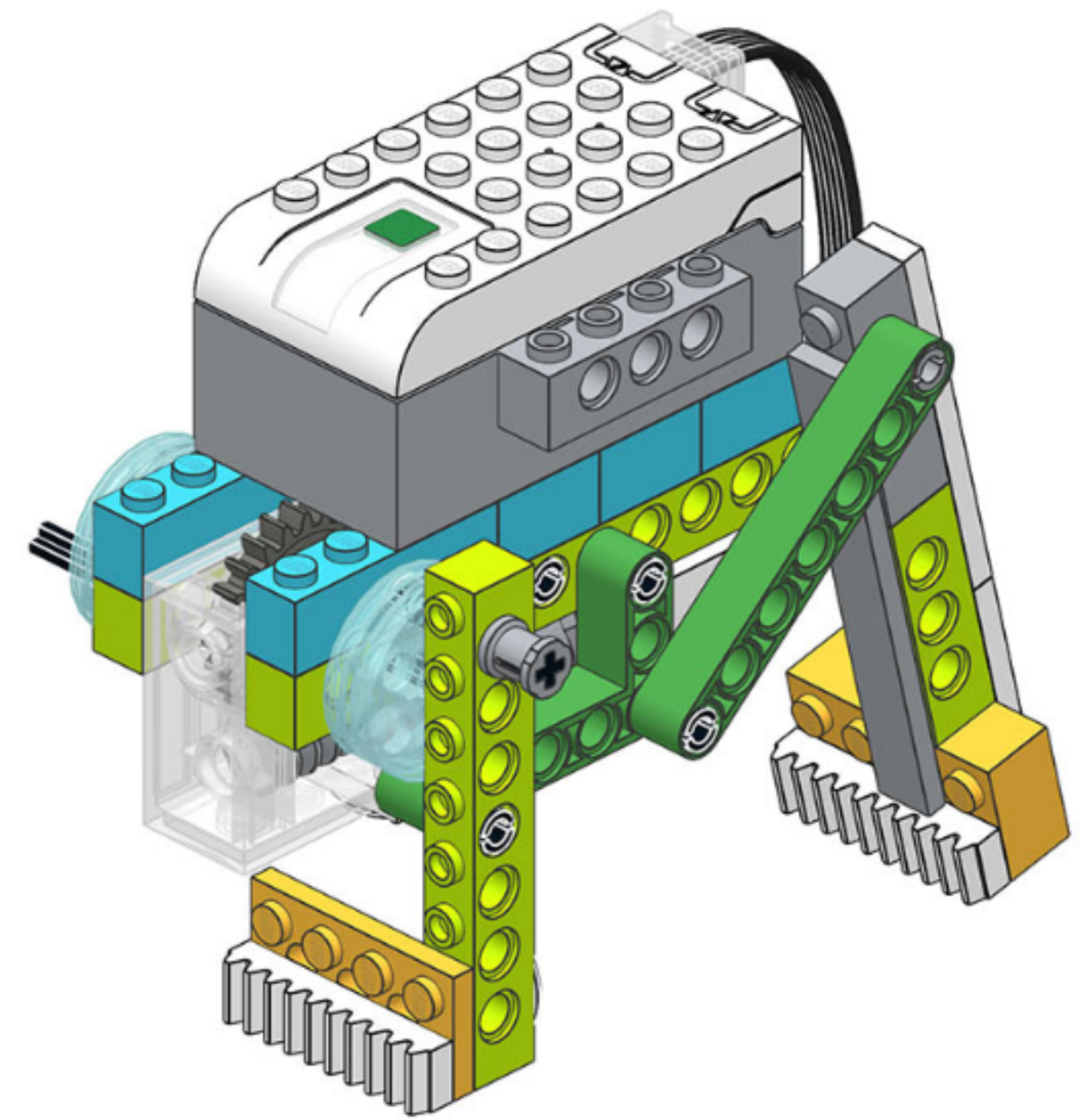


**23**





# 24

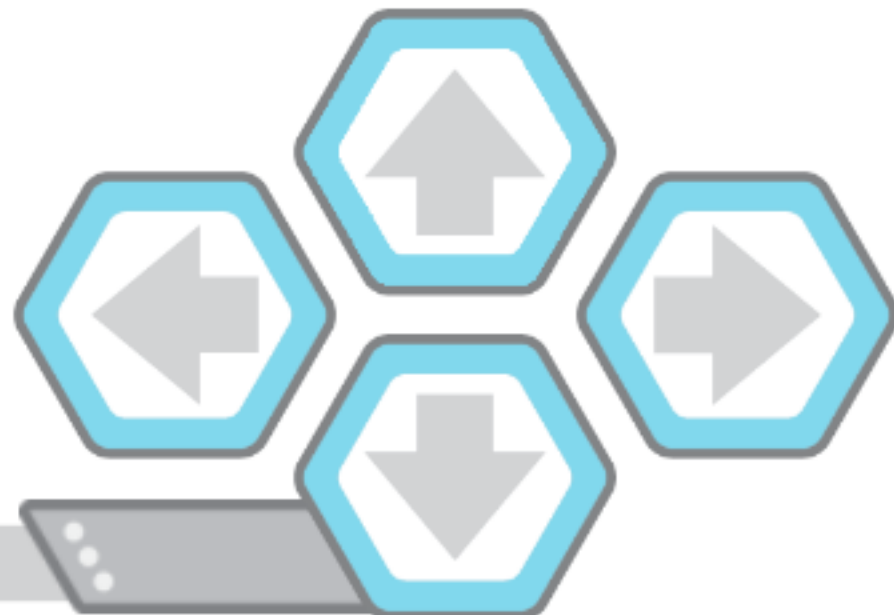


24/35

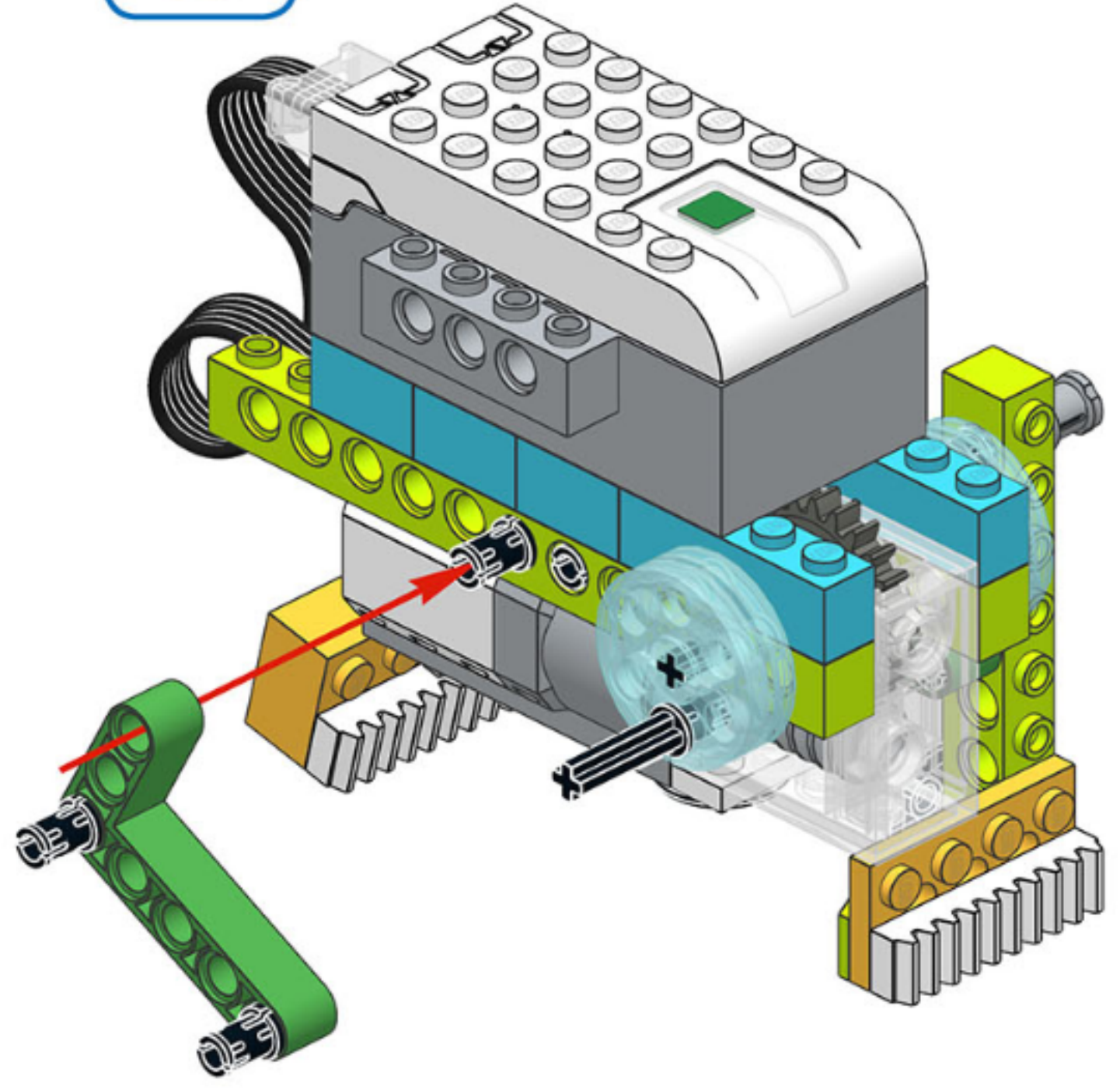
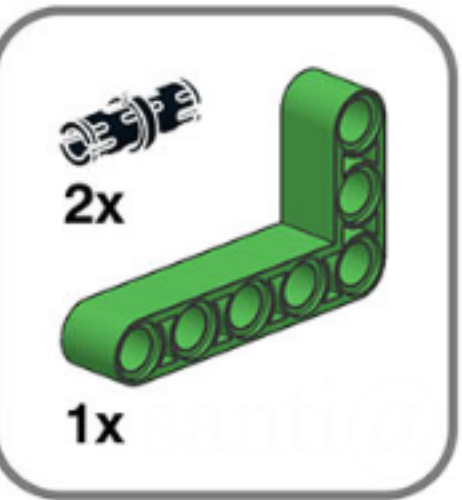
1



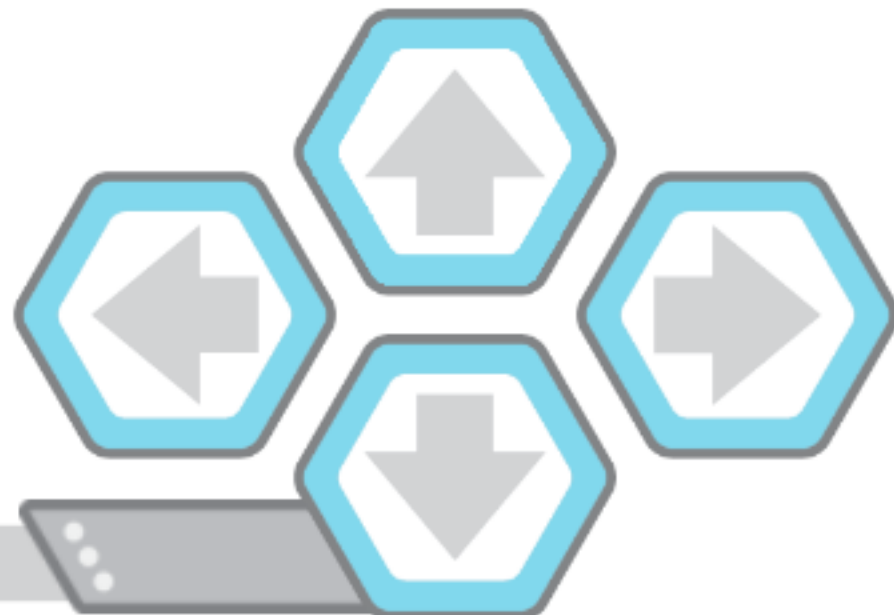
45





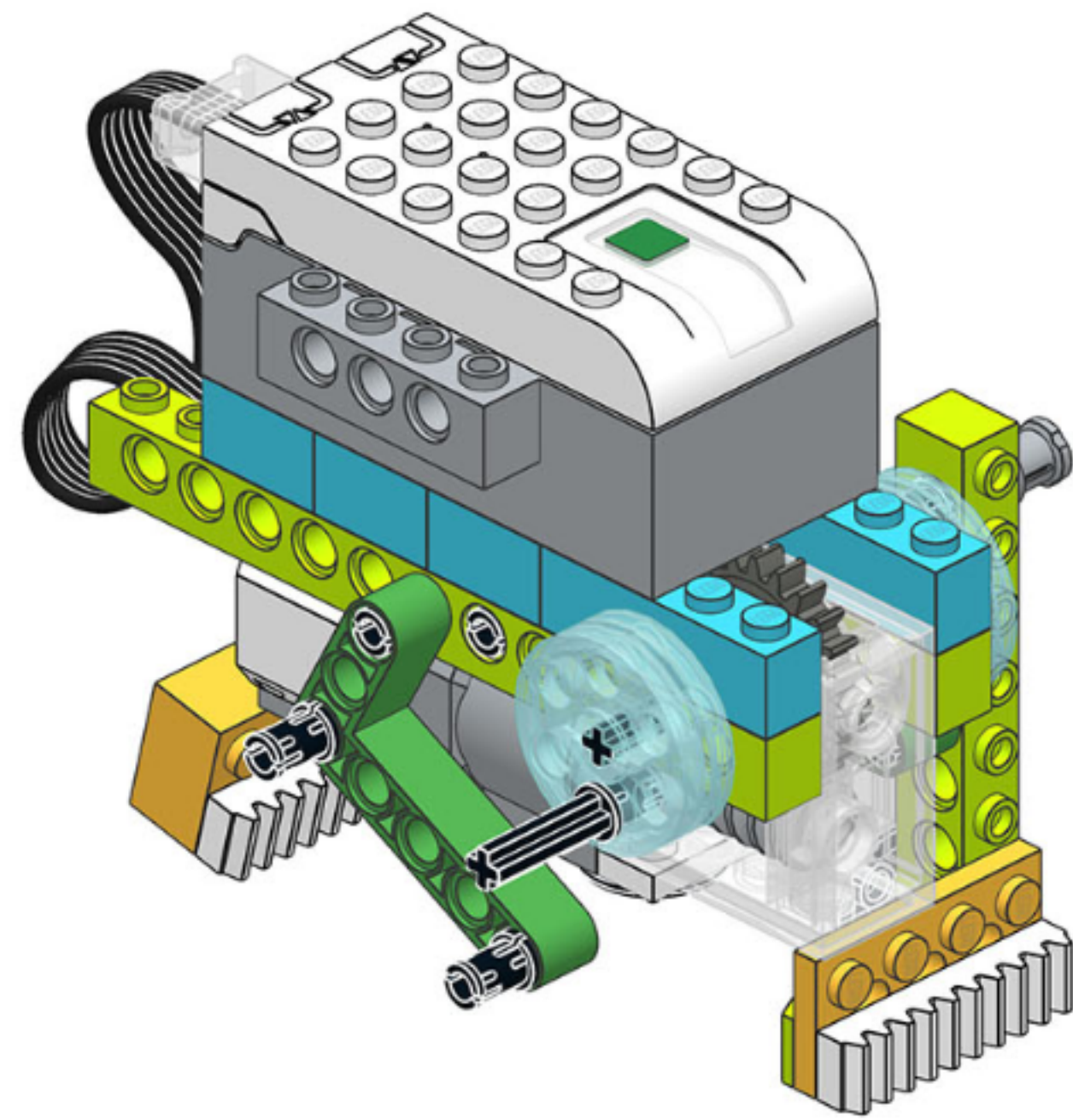


**25**





# 26



santi@smart...



**1**

1x 1x 1x

**2**

1x

**3**

1x

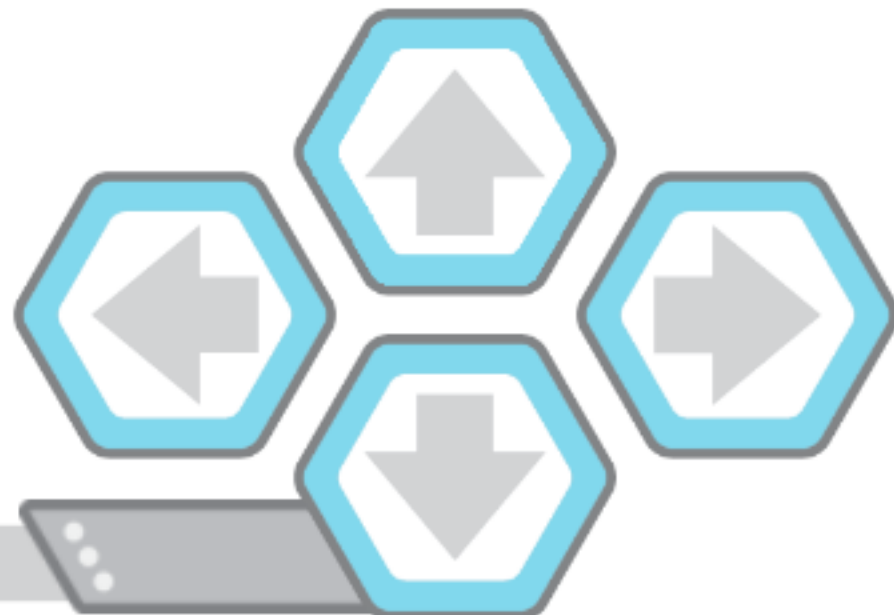
27/35

1



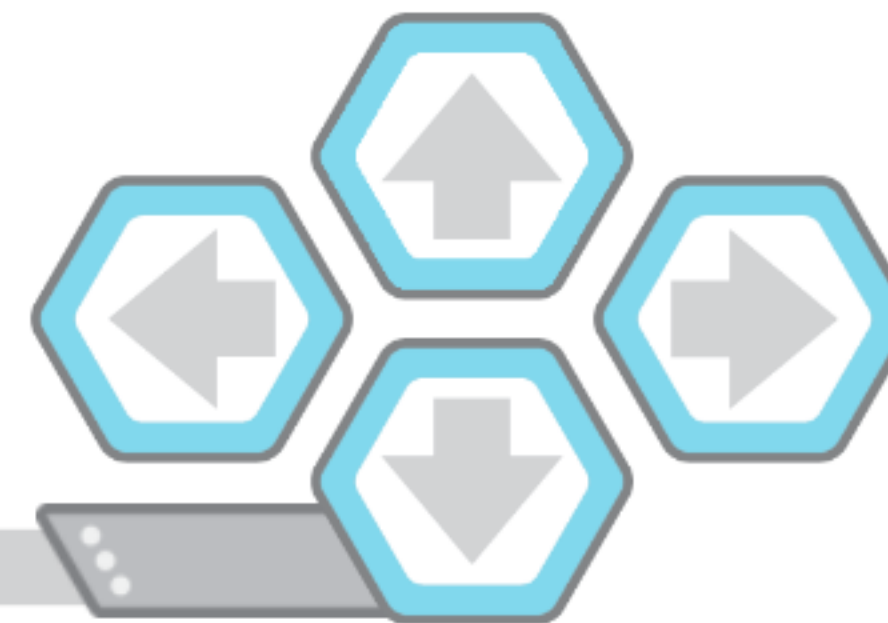
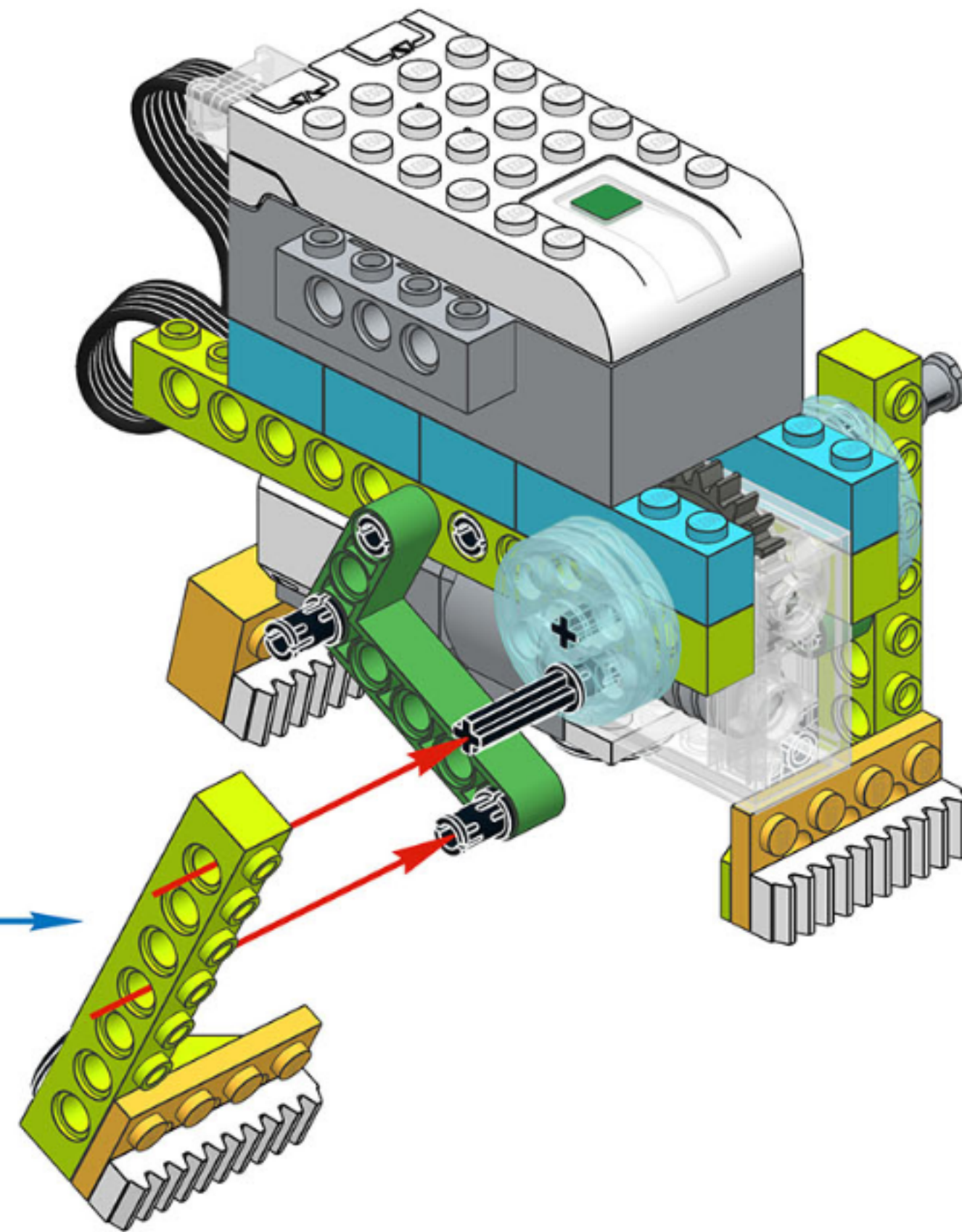
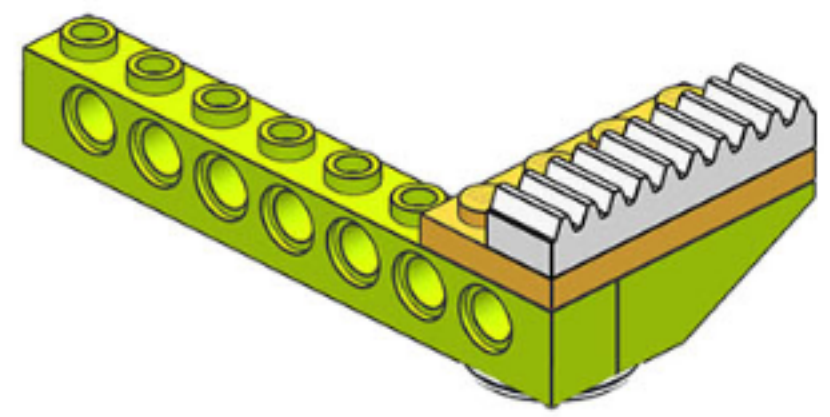
48

santi@smartschool.es





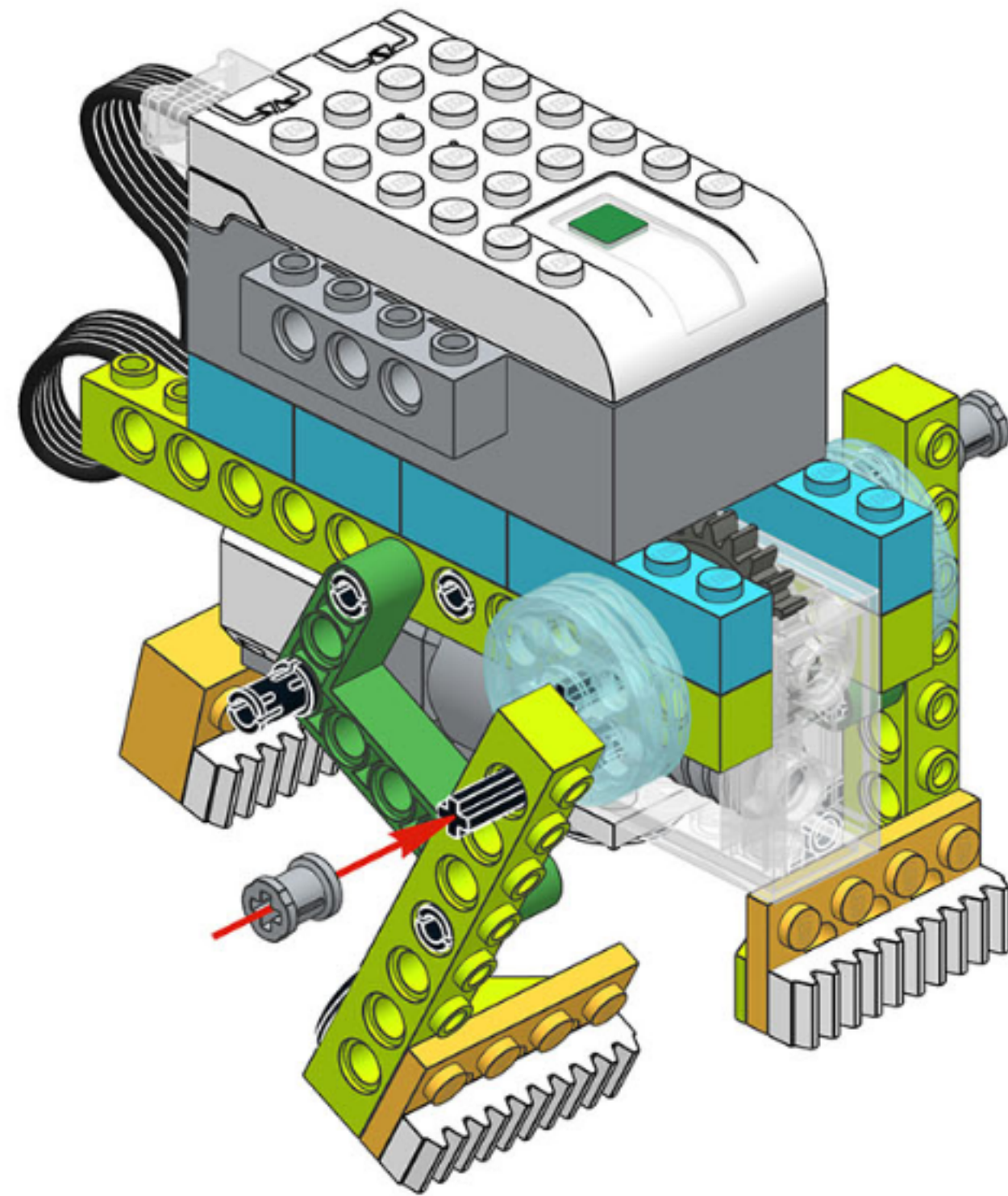
4



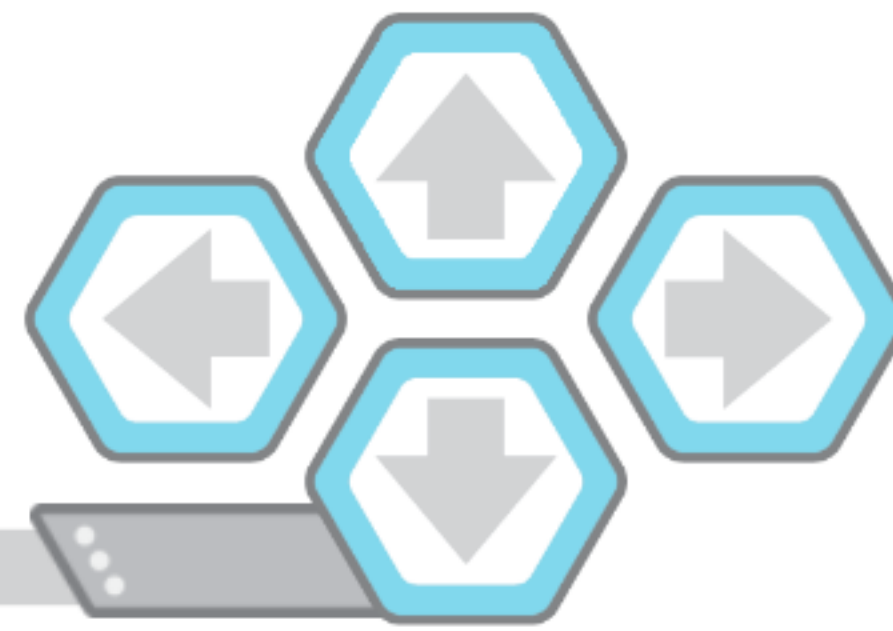




**29**

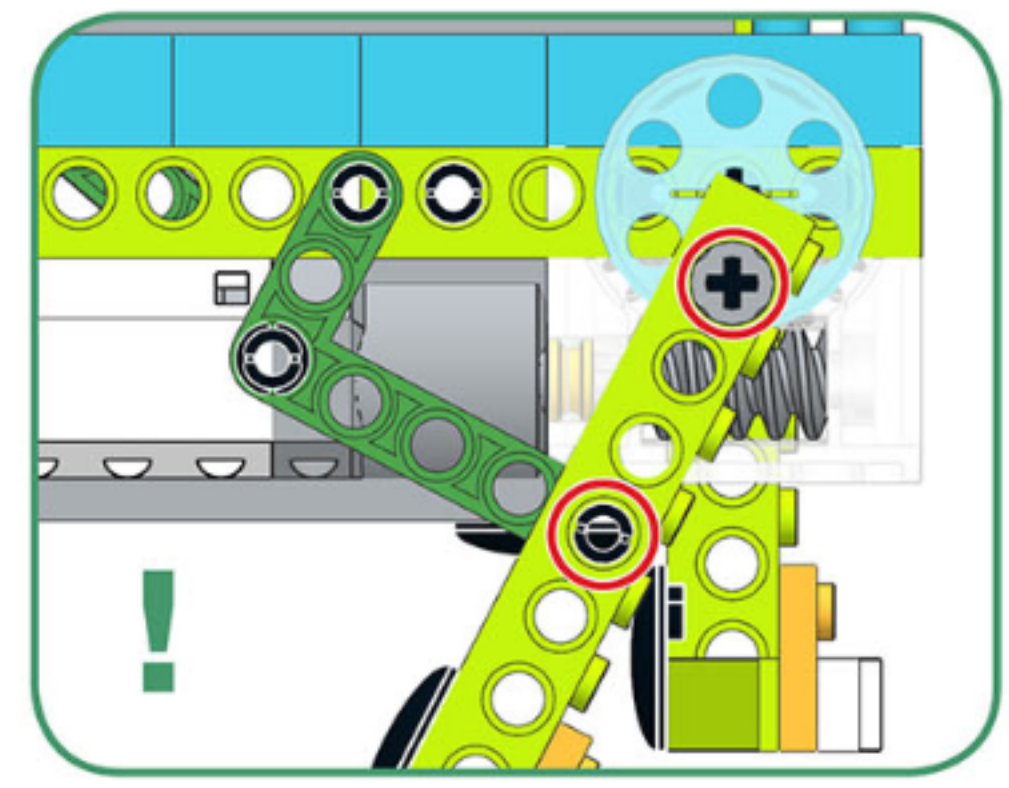
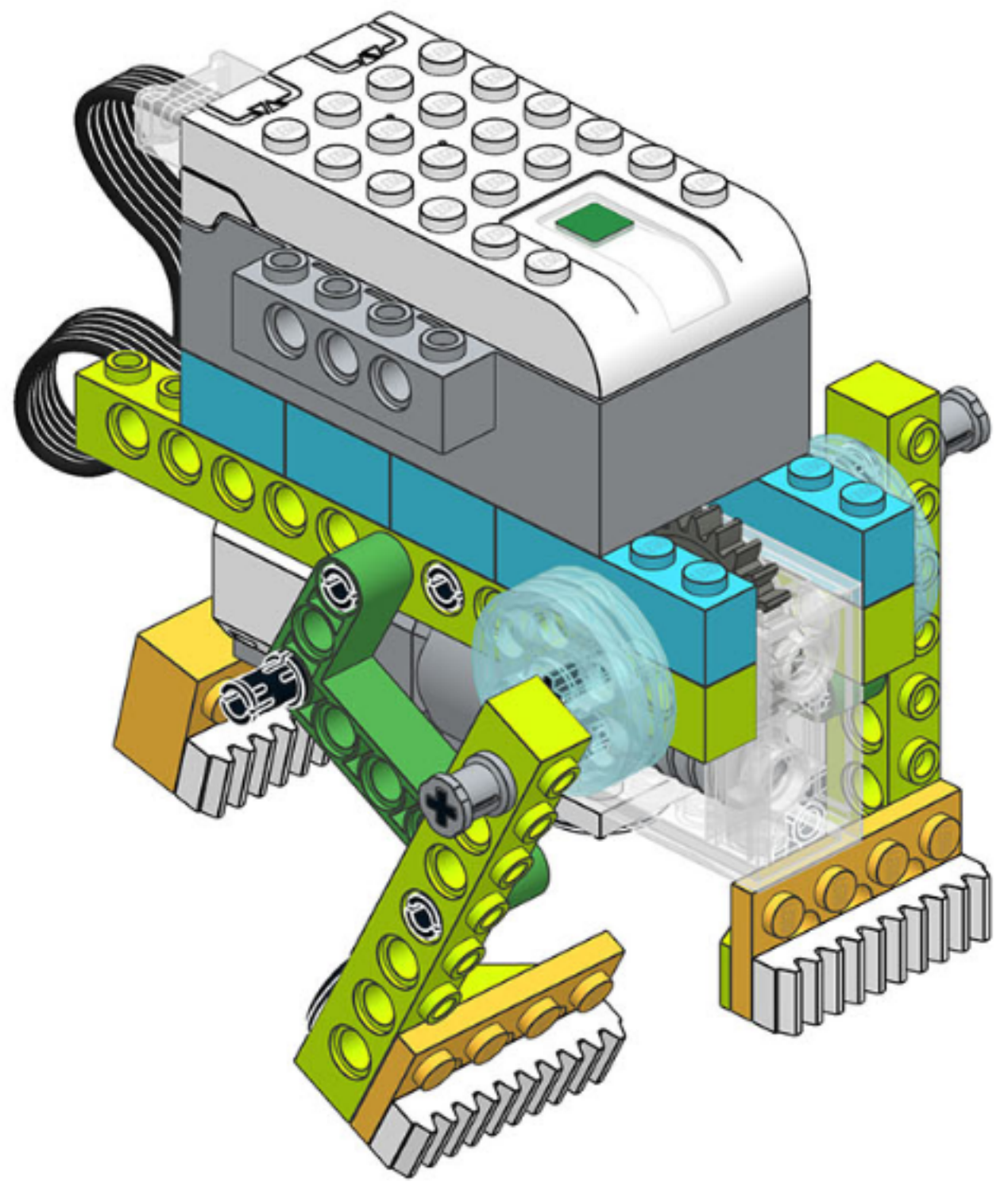


santi@smartschool.es





**30**

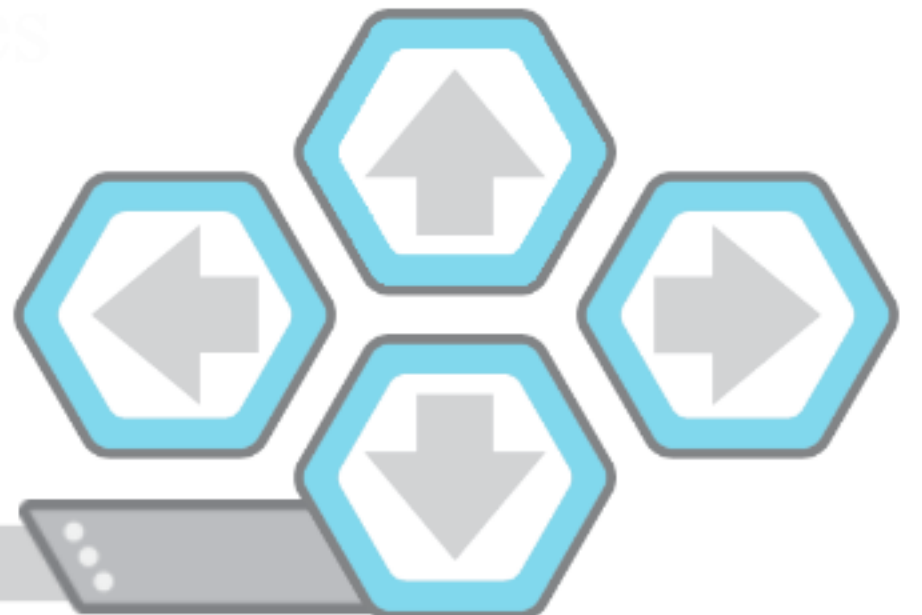


santi@smartschool.es

30/35

1

51





**1**

1x 6 1x 4 2x

**2**

1x 4 1x

**3**

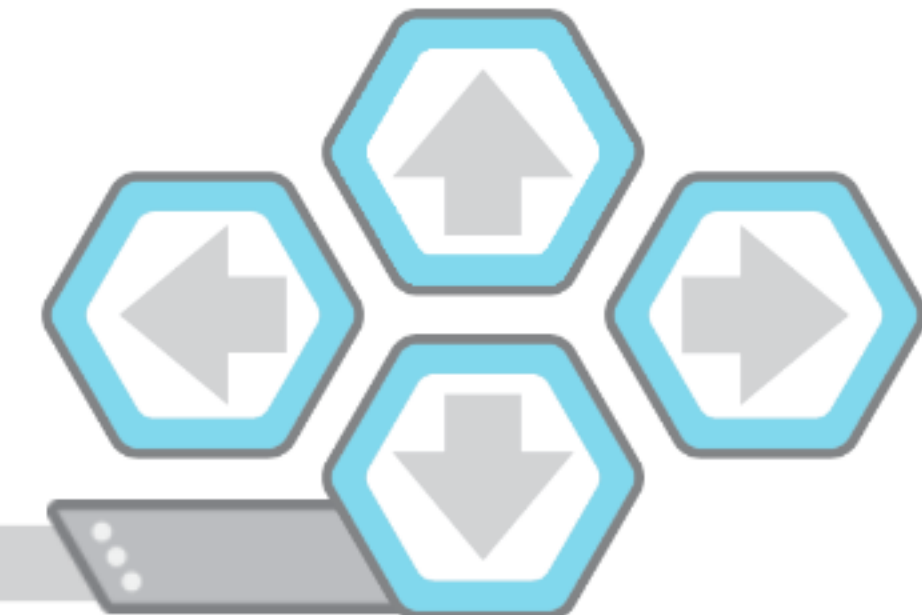
1x 1x

31/35



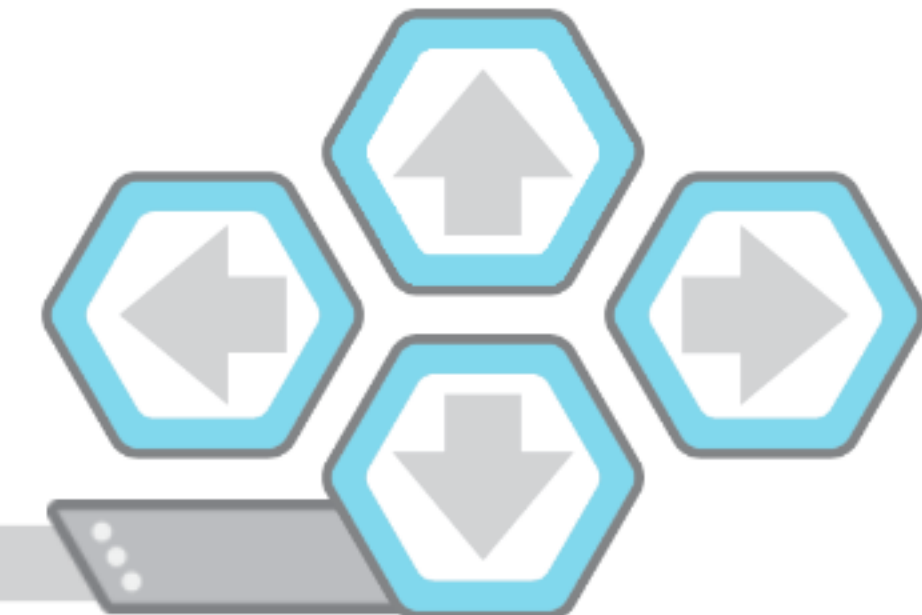
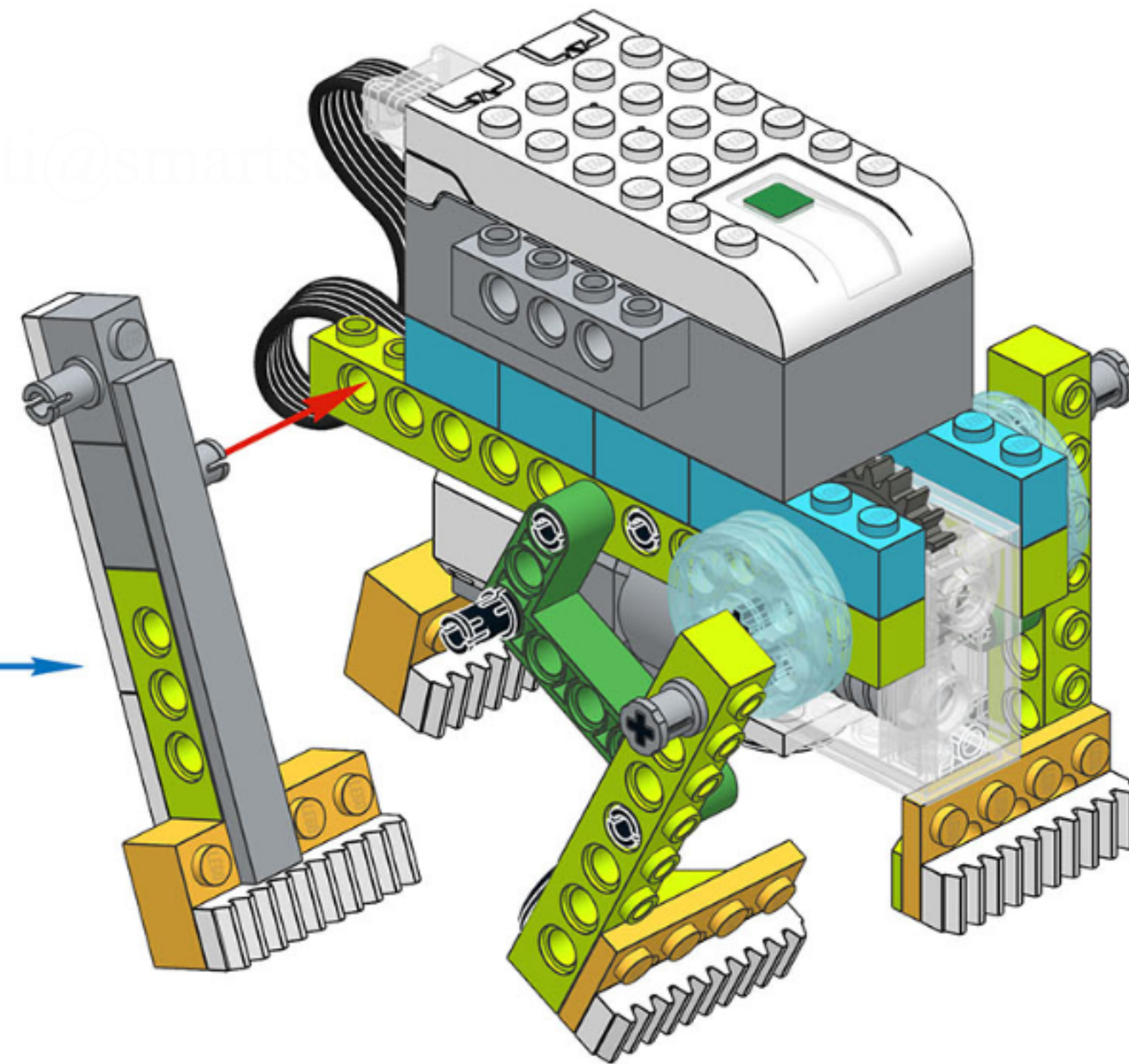
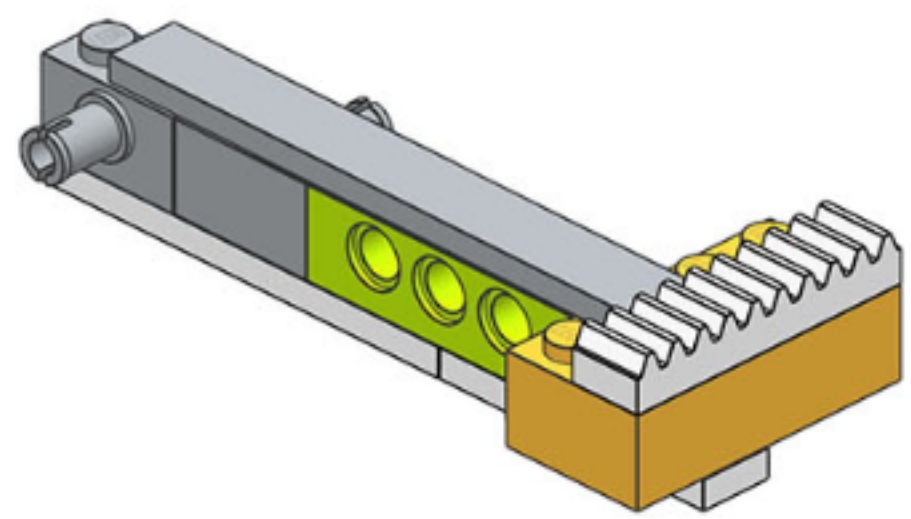
52

santi@smartschool.es

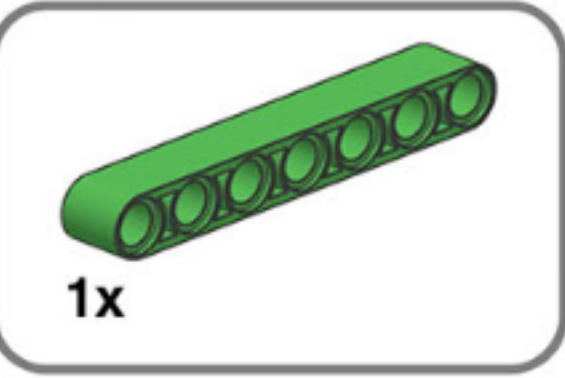




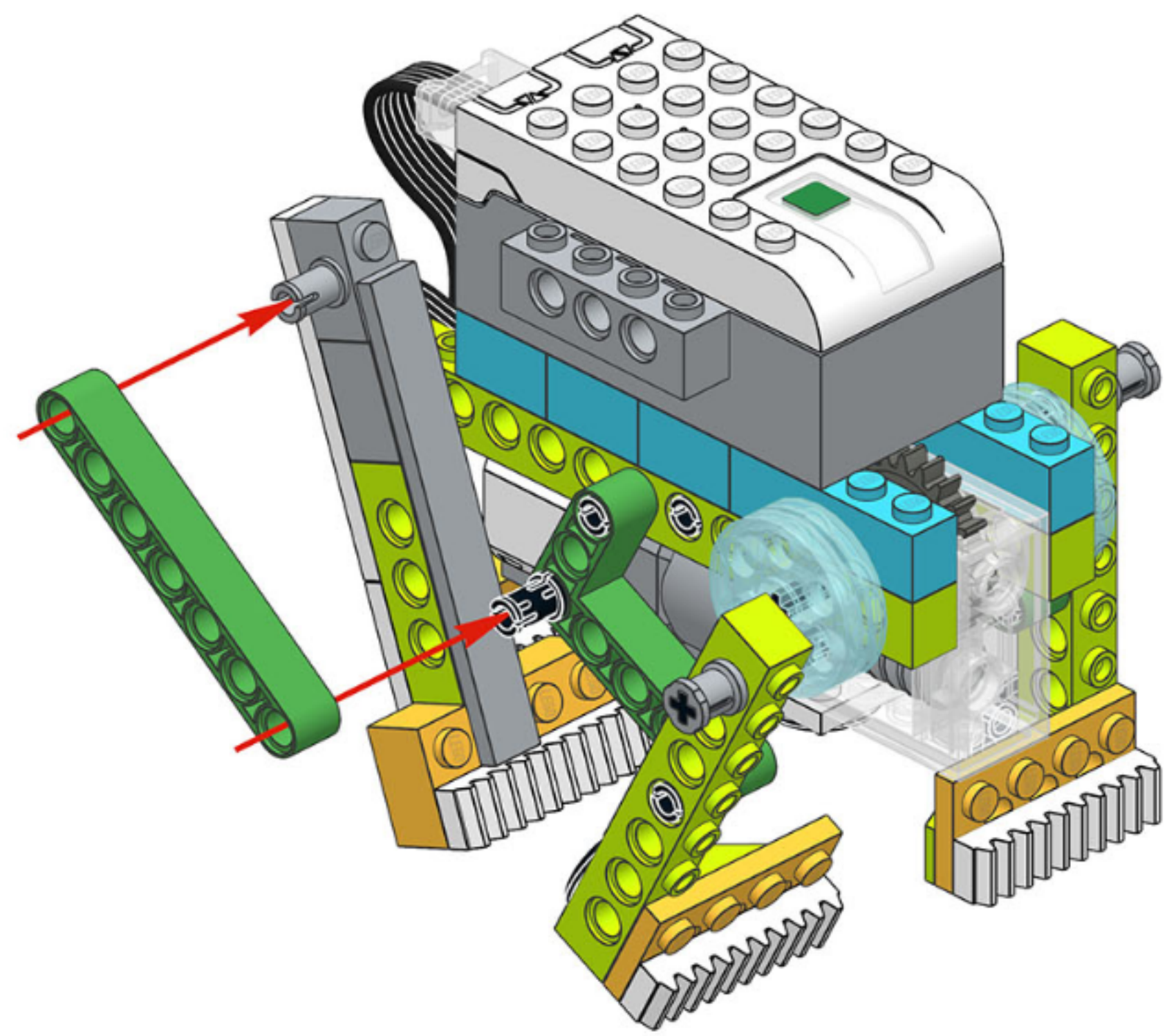
4



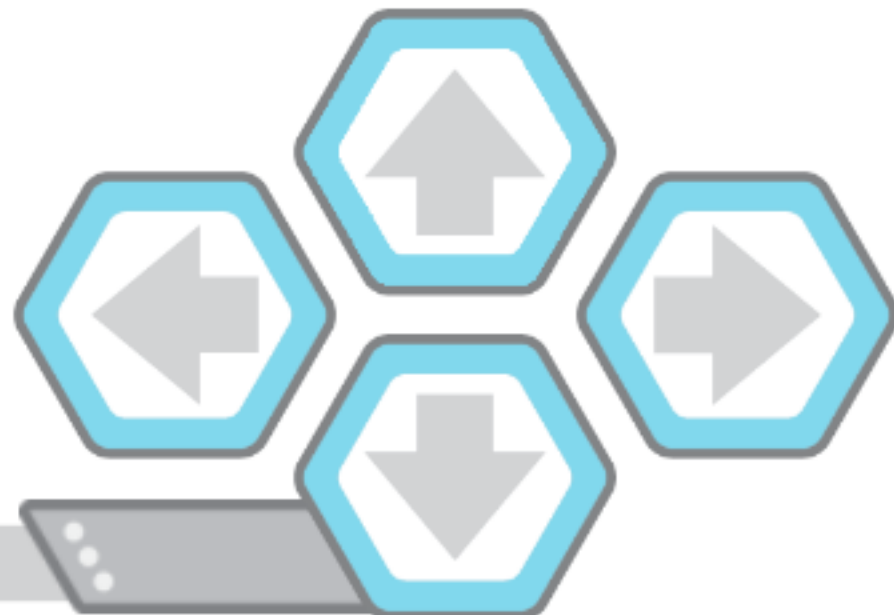




**33**



santi@smartschool.es



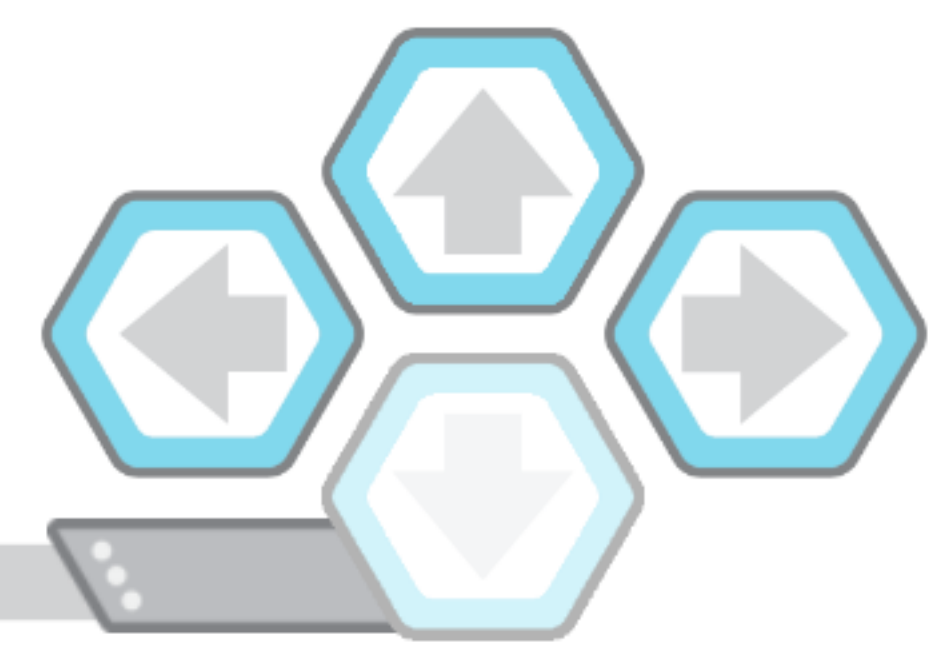
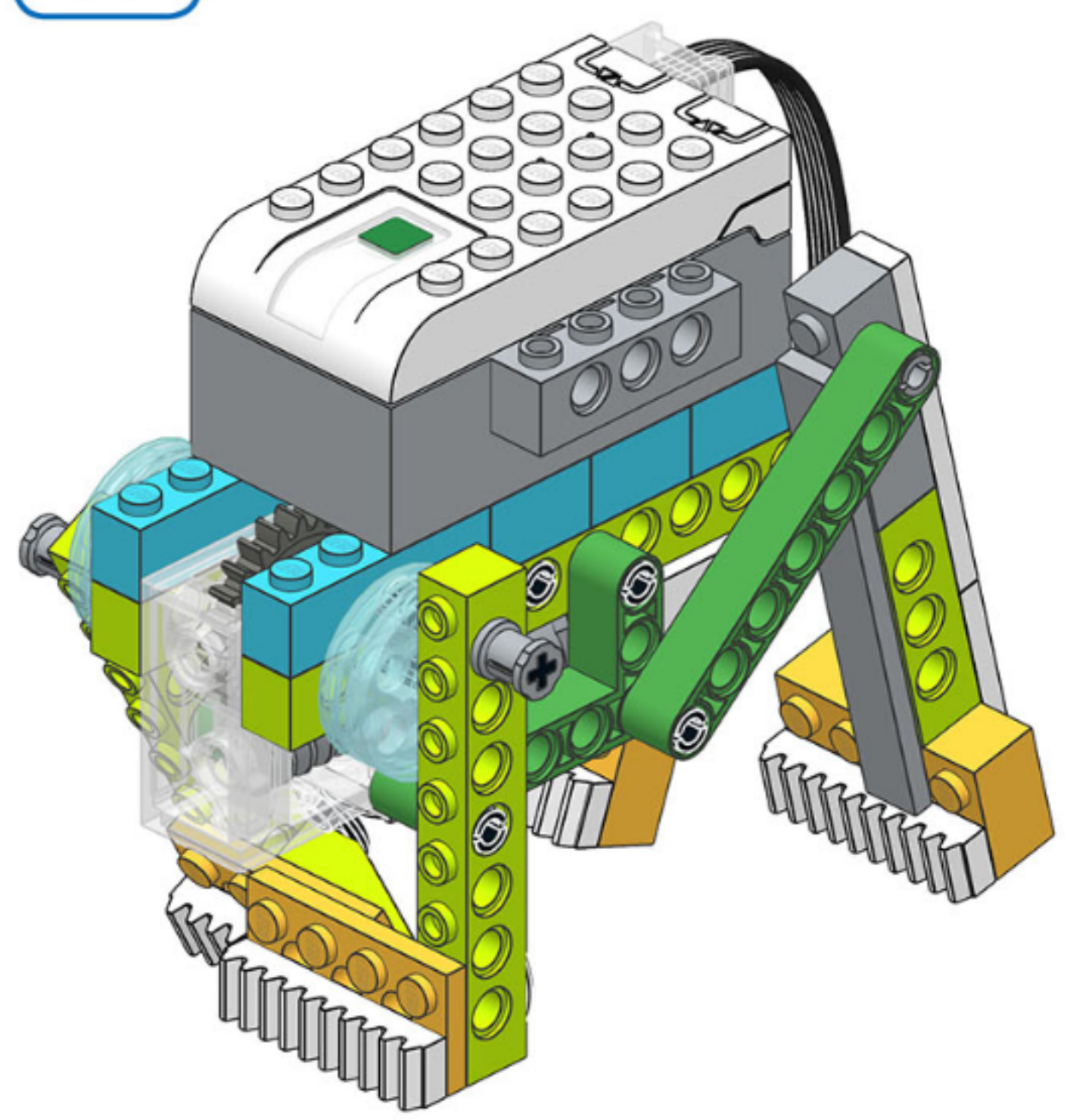






nanli@smartschool.es

**35**



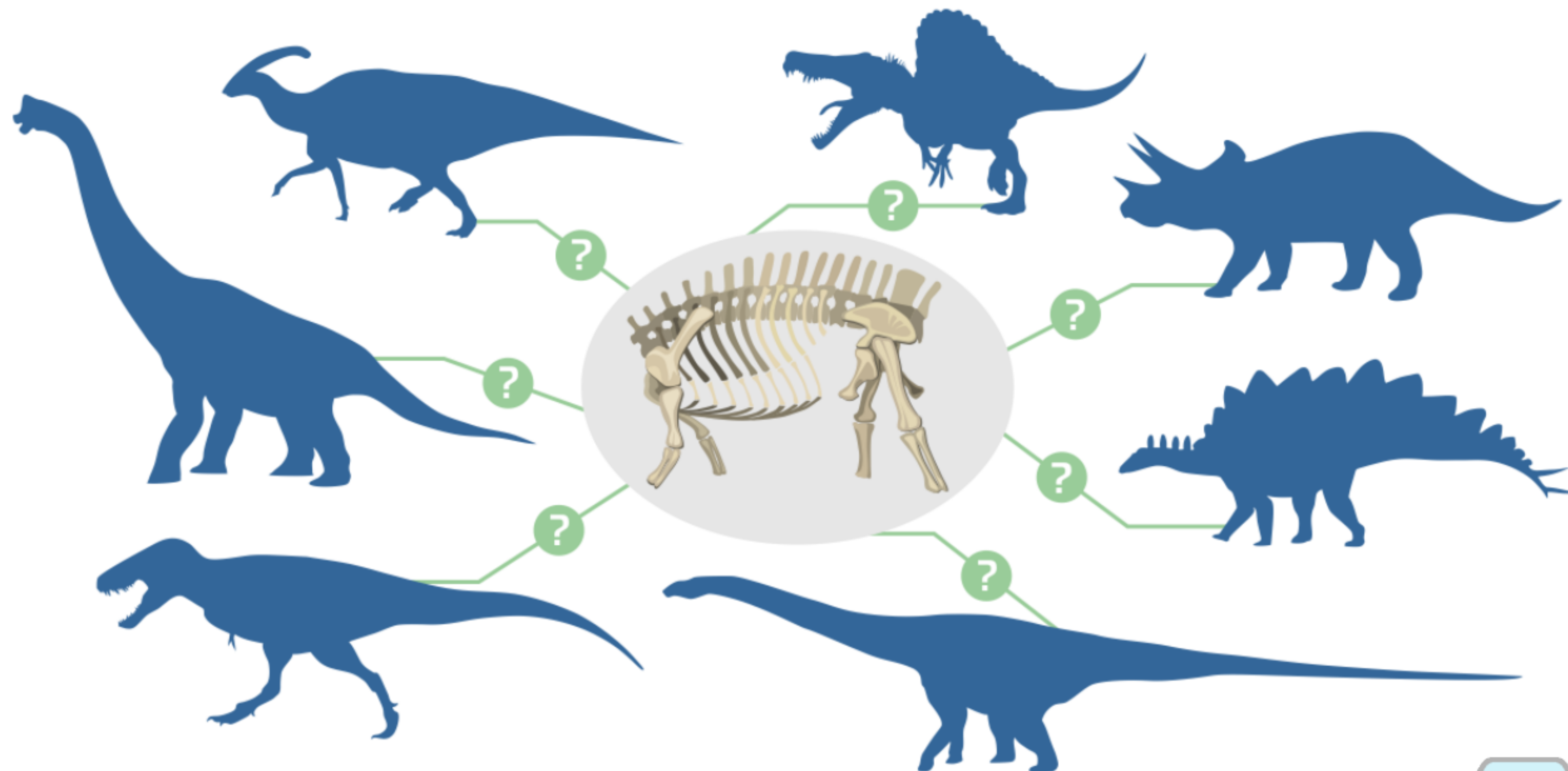




# Task

santi@smartschool.es

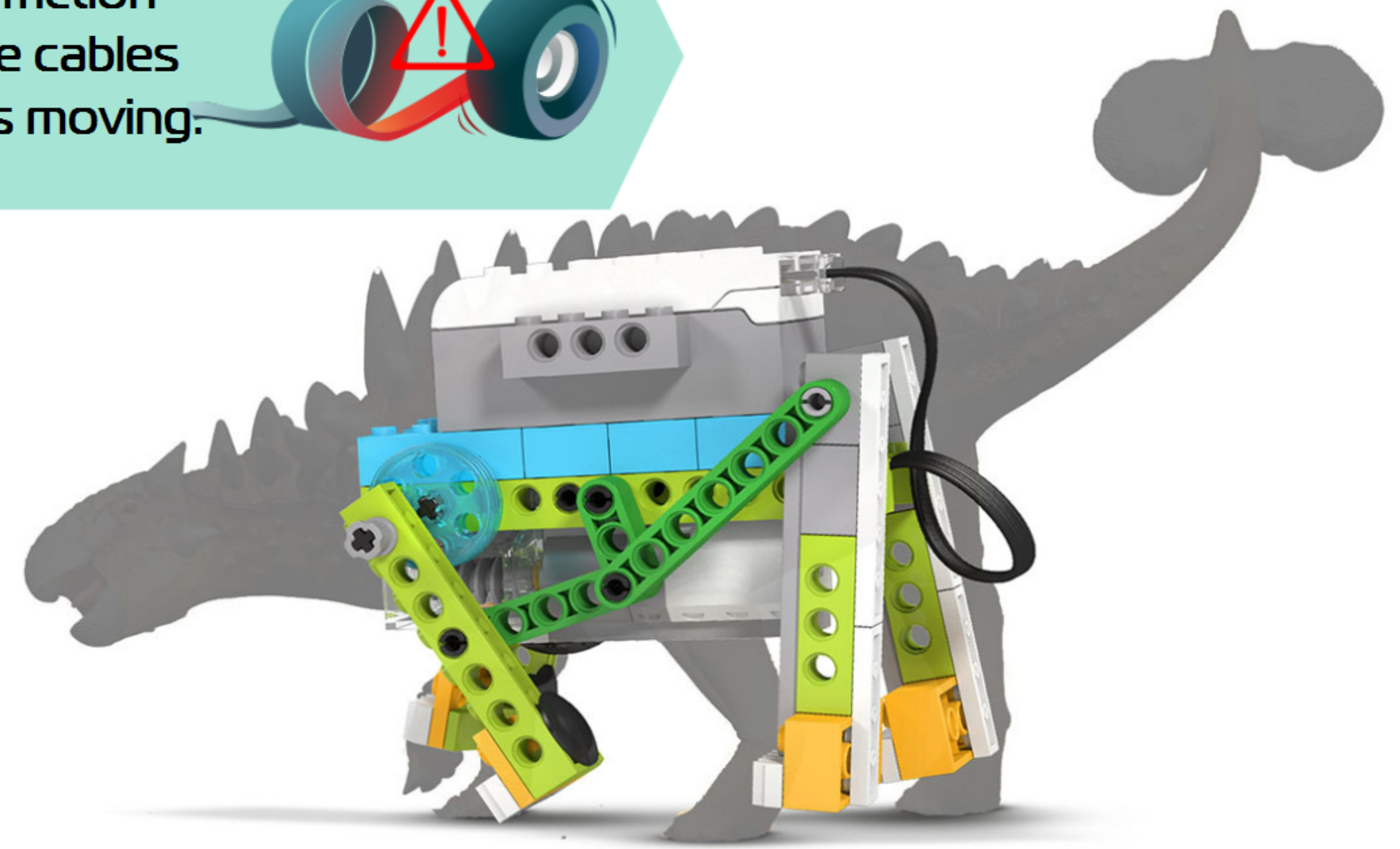
Who was your found dinosaur? Build the robot's torso so that it is as close as possible to your drawing.





# Check it out!

Avoid any friction between the cables while robot is moving.



1 

58 



