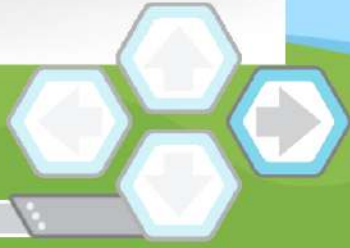




Dimetrodon

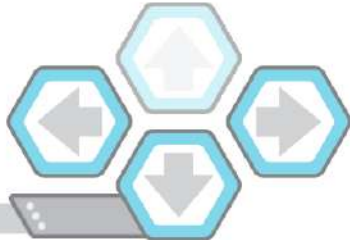
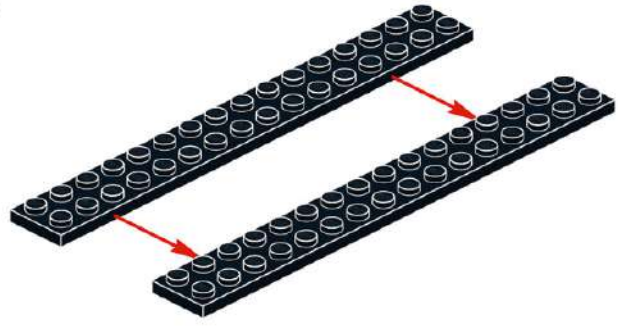


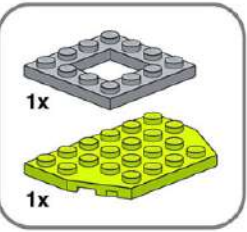
Dimetrodon



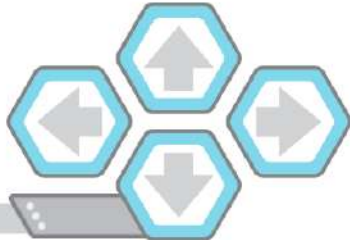
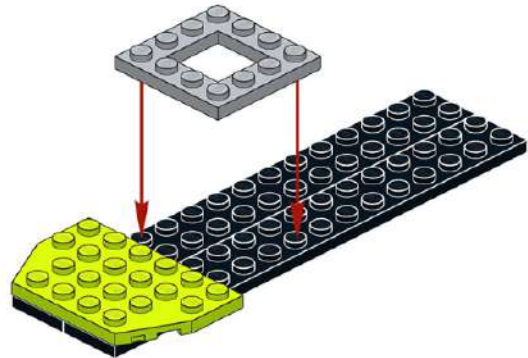


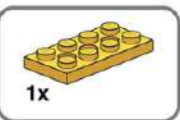
1



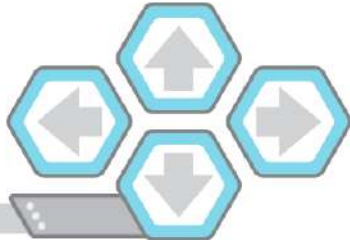
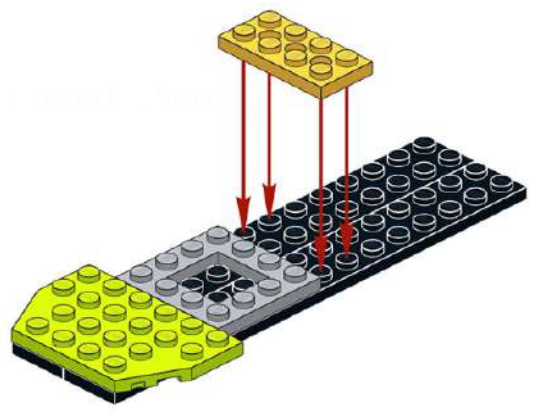


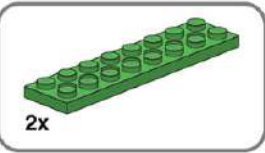
2



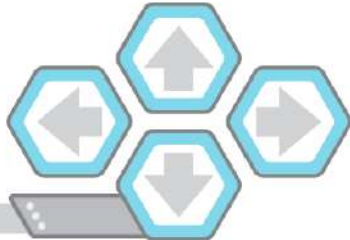
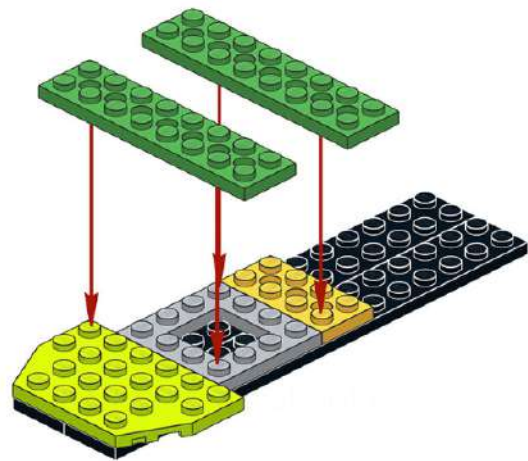


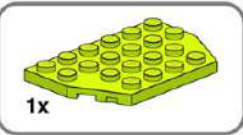
3



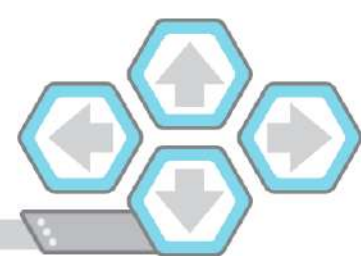
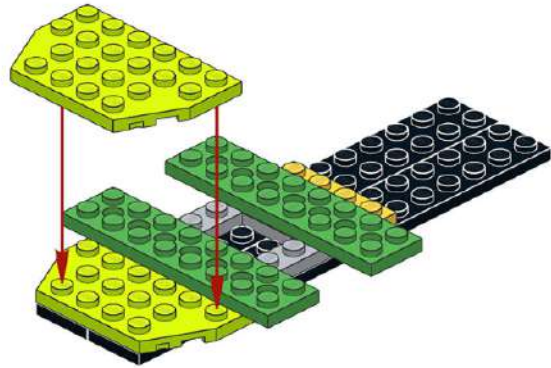


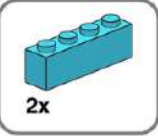
4



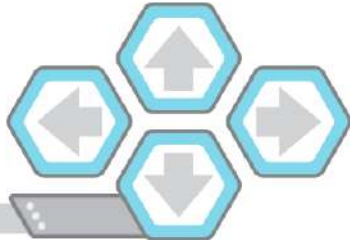
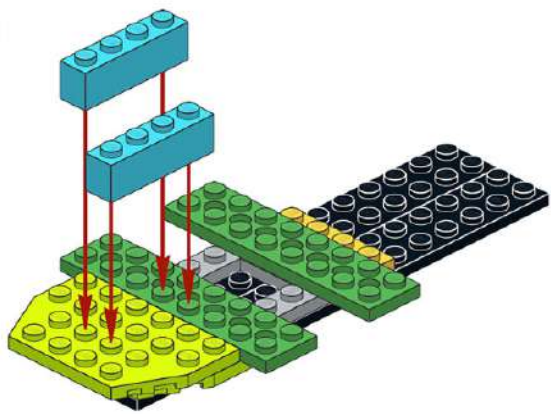


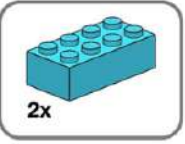
5



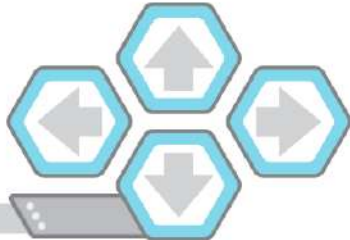
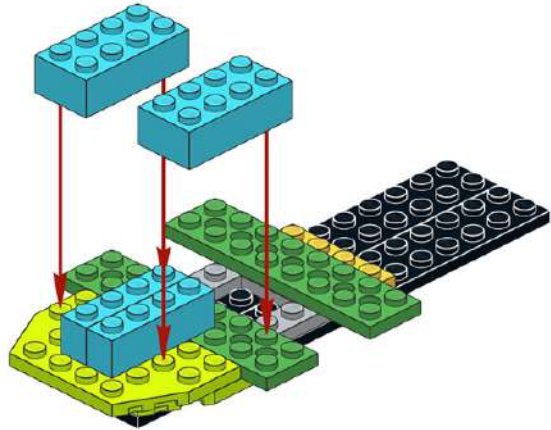


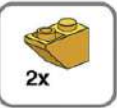
6



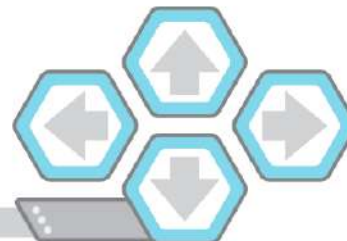
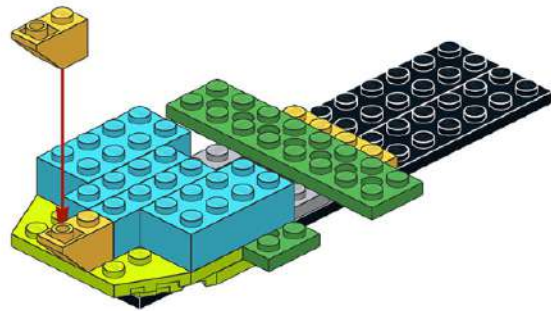


7



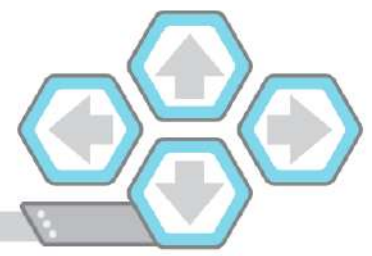
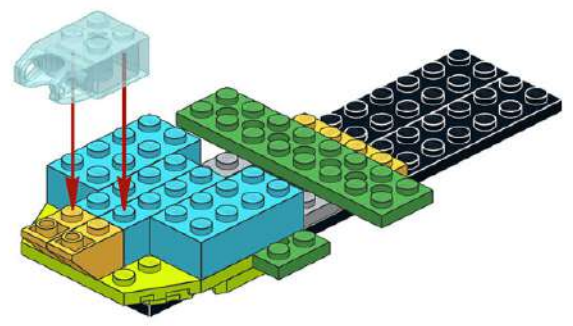


8





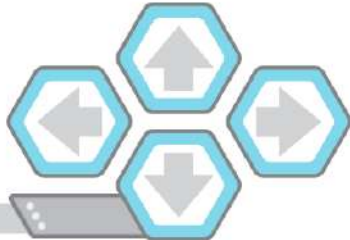
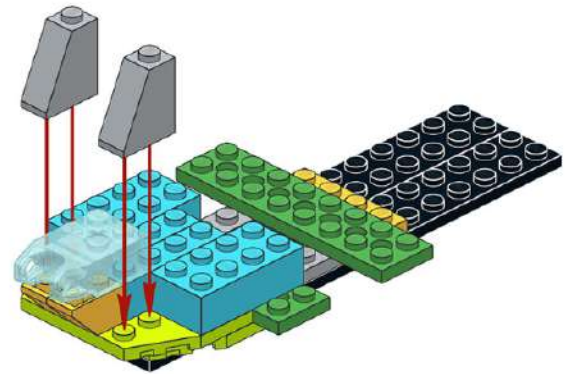
9



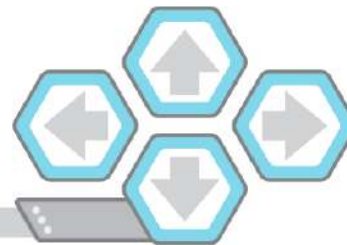
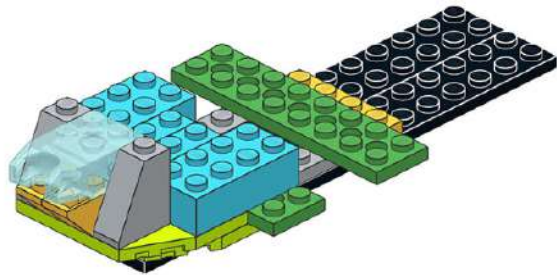
ROBORISE-IT!

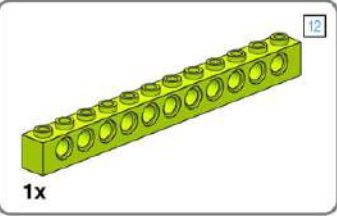


10

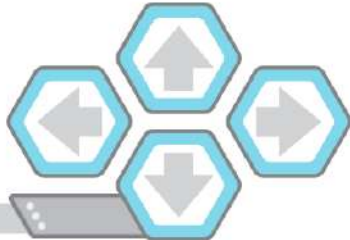
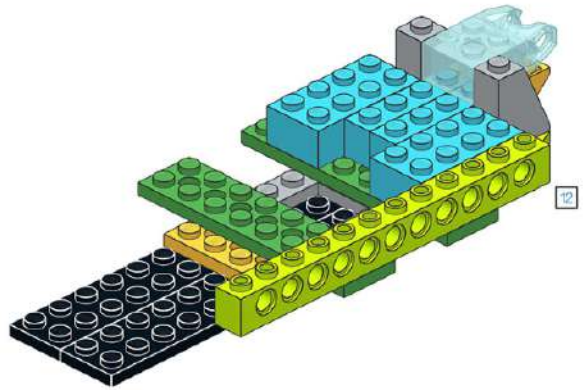


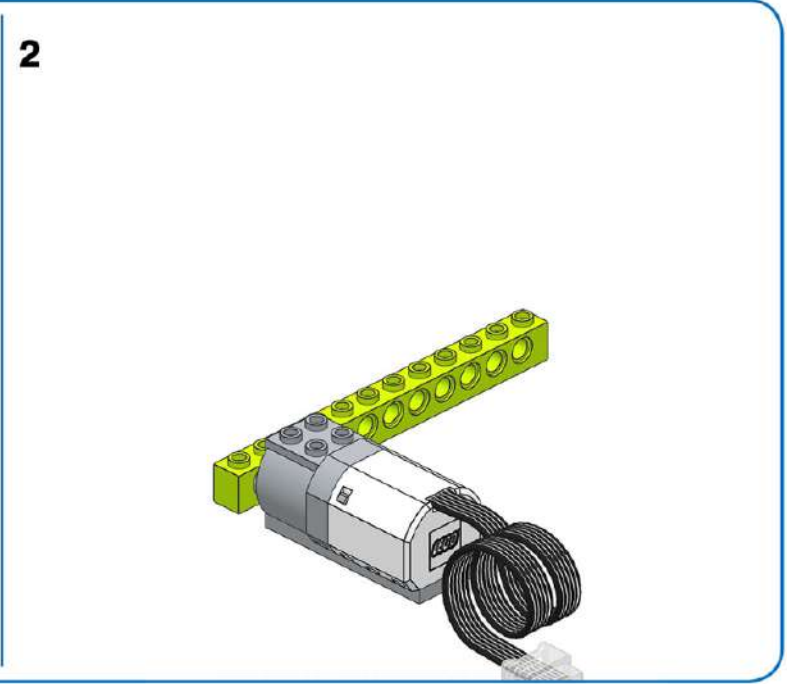
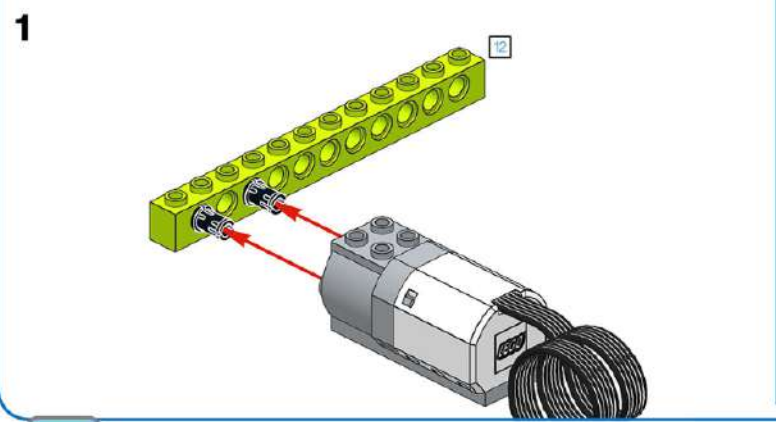
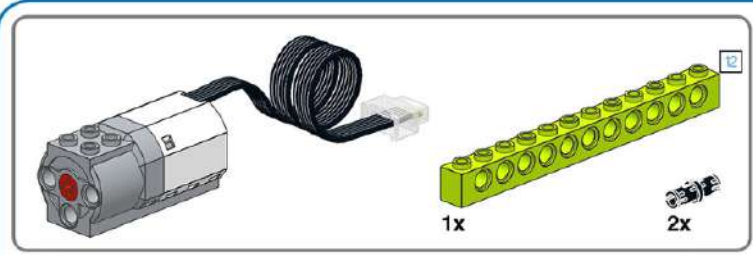
11





12

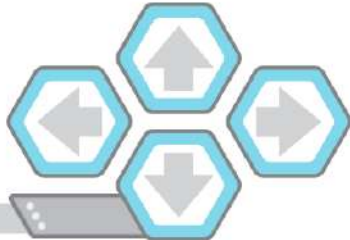




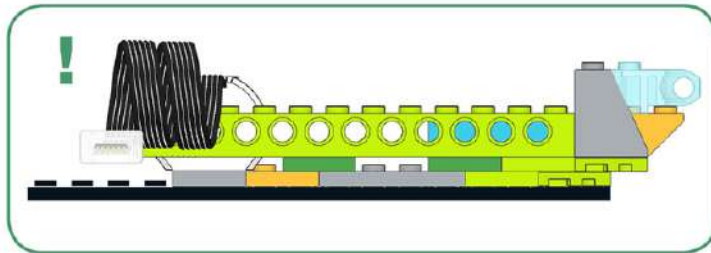
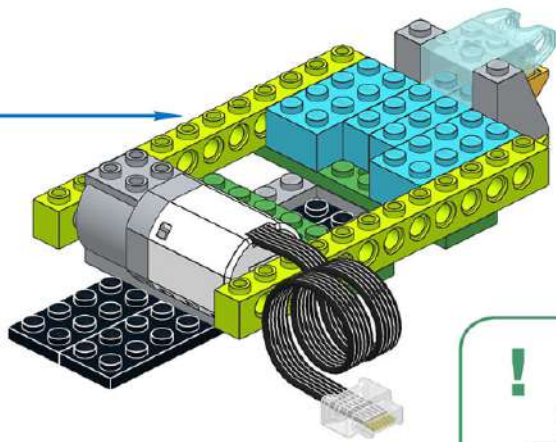
13/56

6

44



14



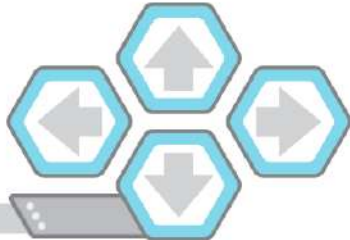
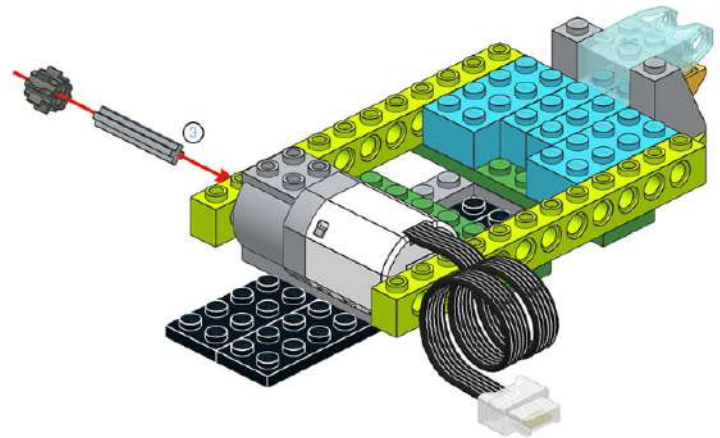
14/56

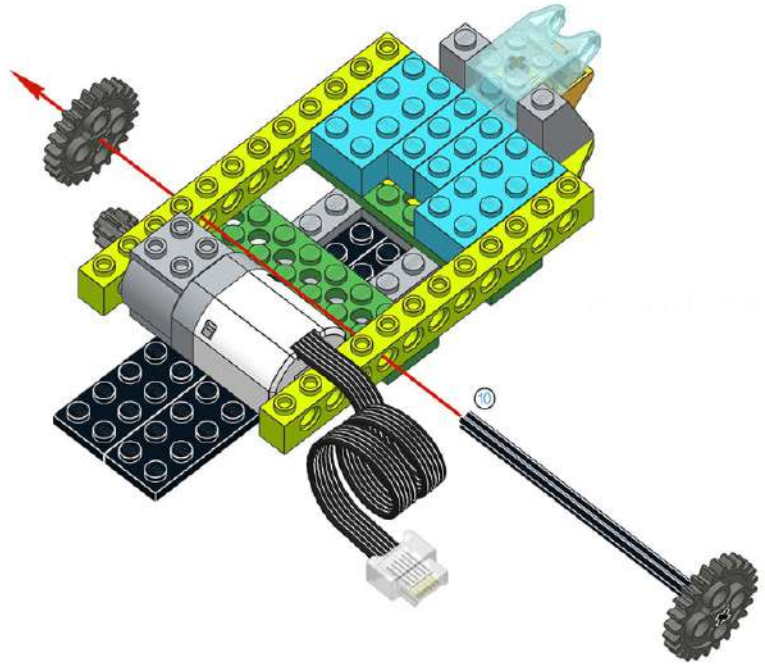
6

45



15



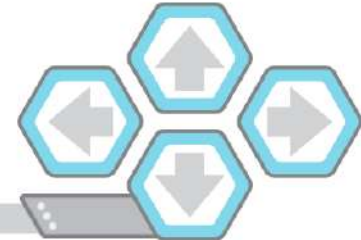


16

16/56

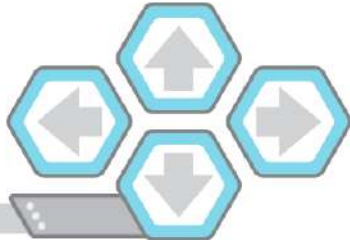
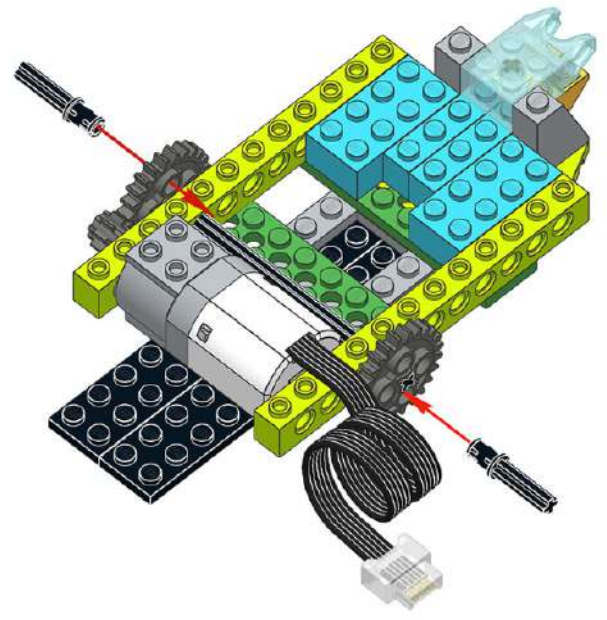
6

47



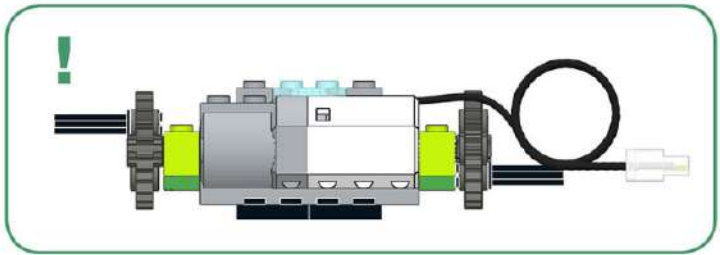
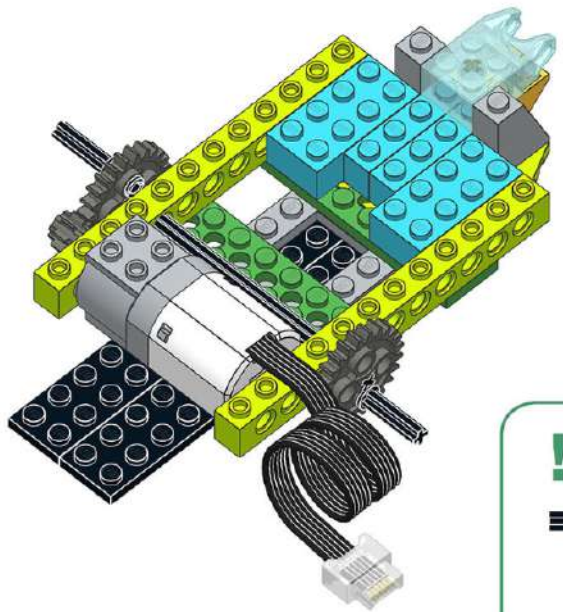


17



RoboRise-It! 2014

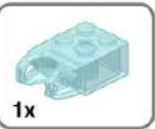
18



18/56

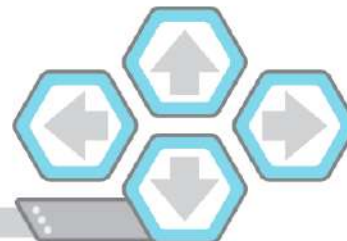
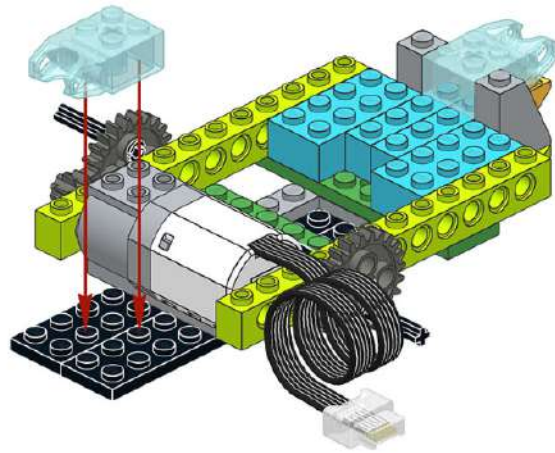
6

49



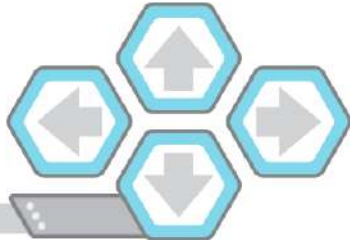
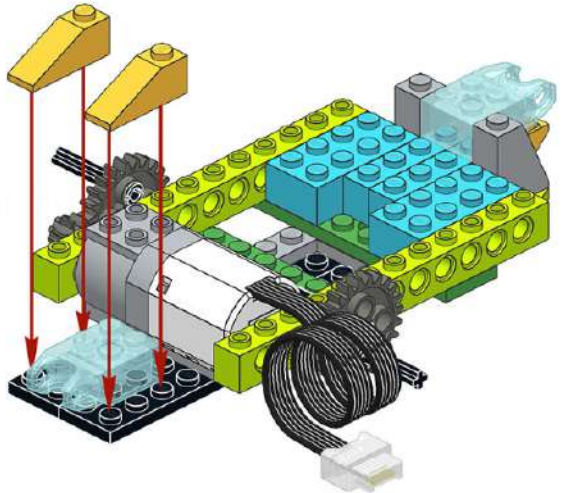
1x

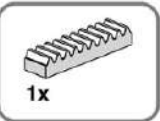
19



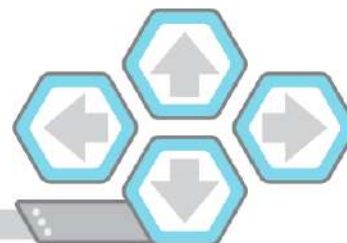
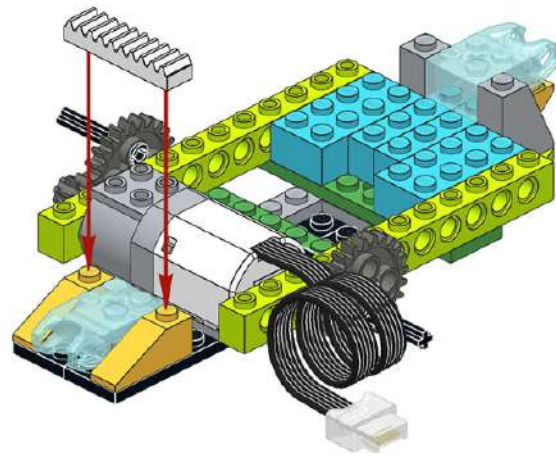


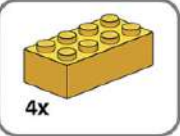
20



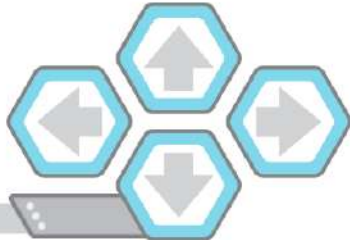
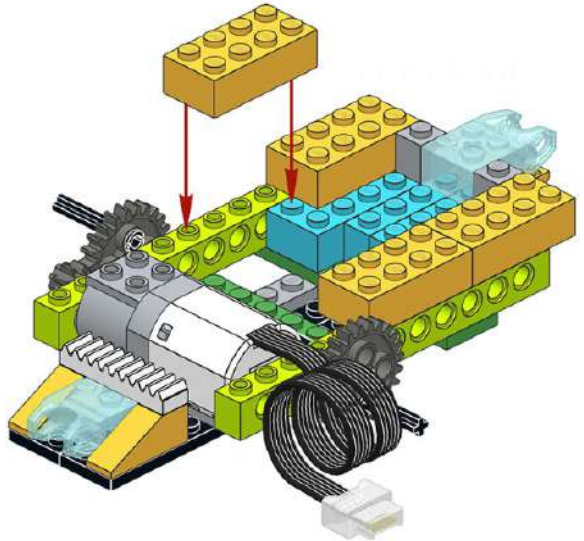


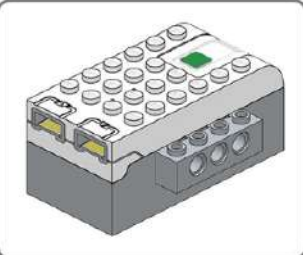
21



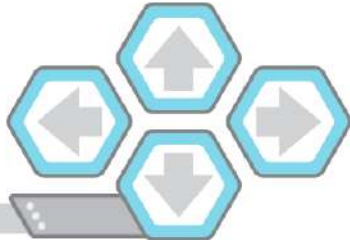
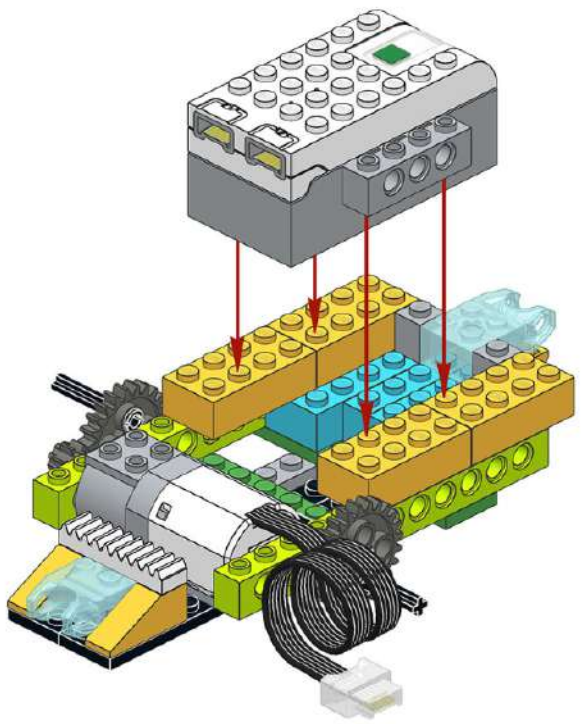


22

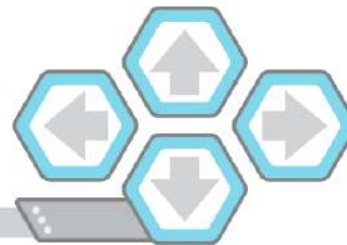
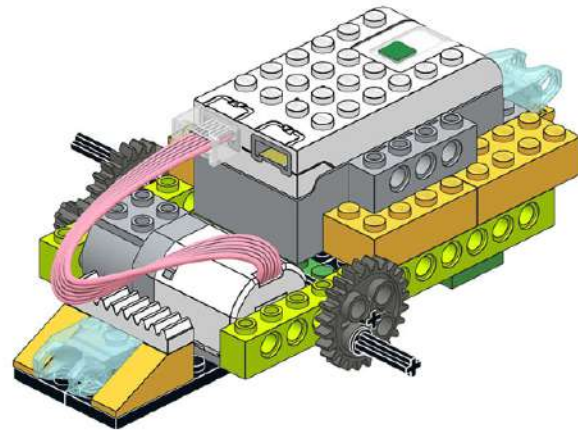




23

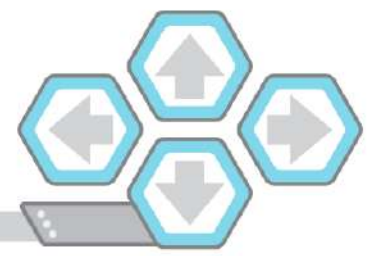
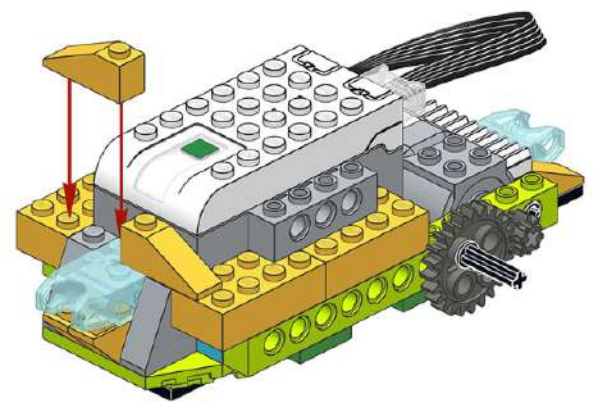


24



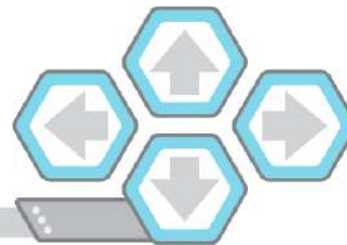
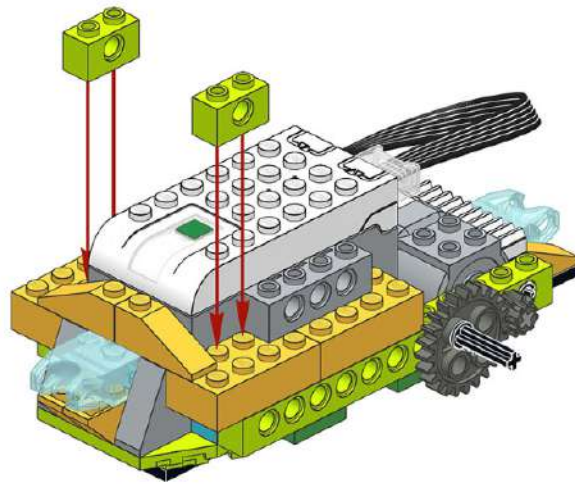


25



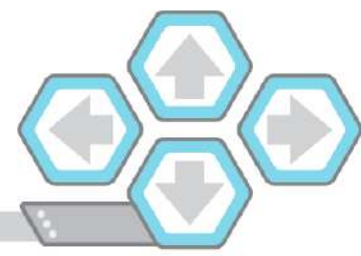
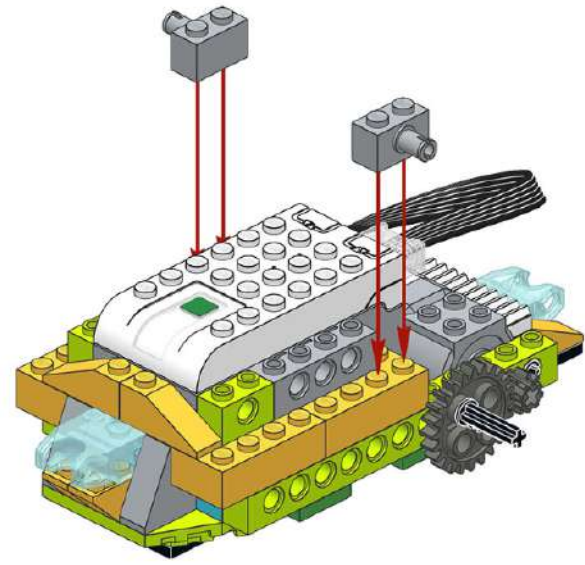


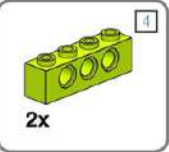
26



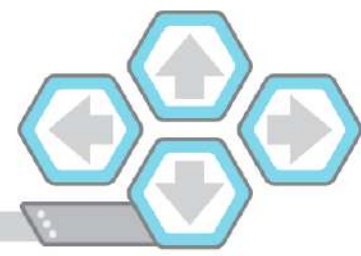
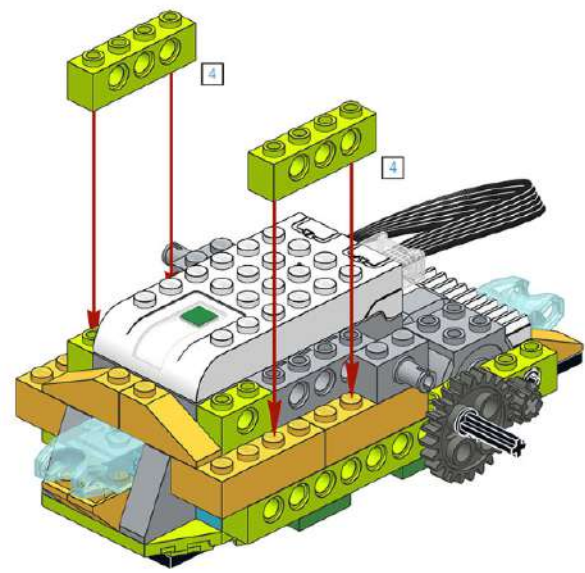


27



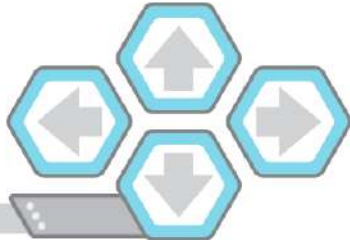
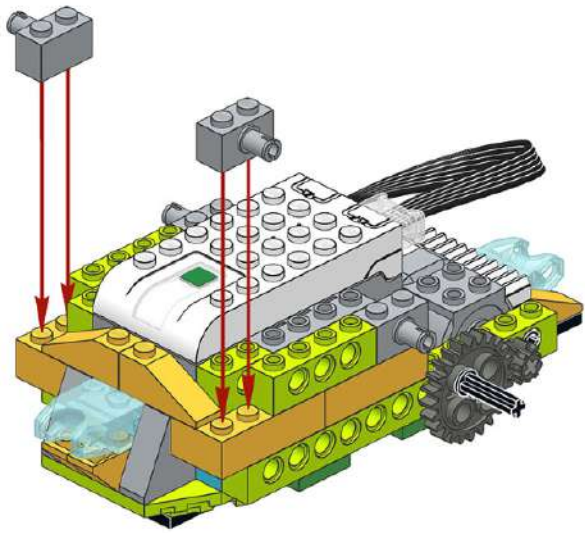


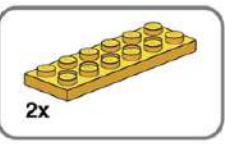
28



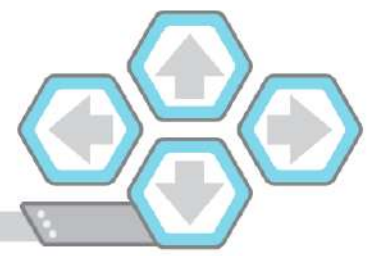
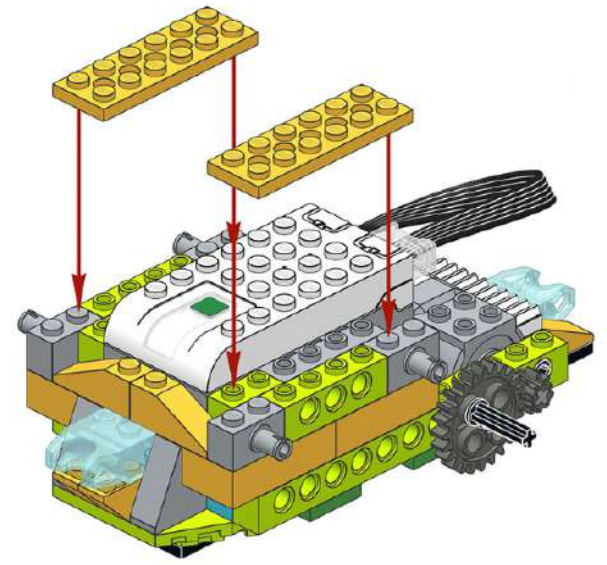


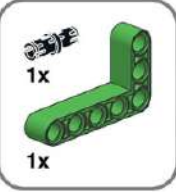
29



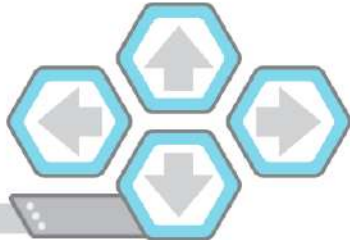
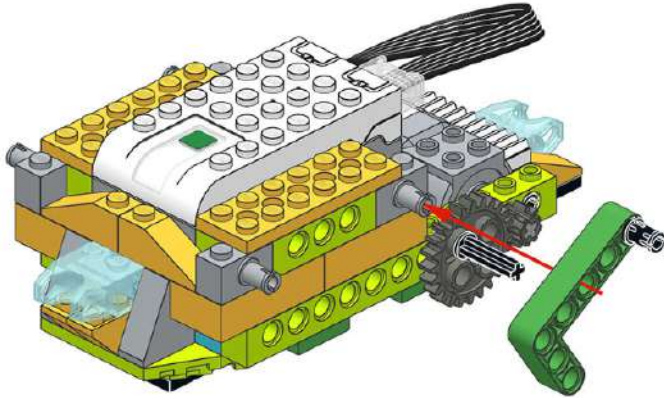


30

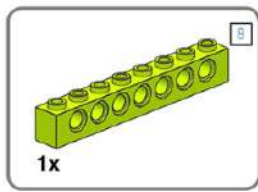




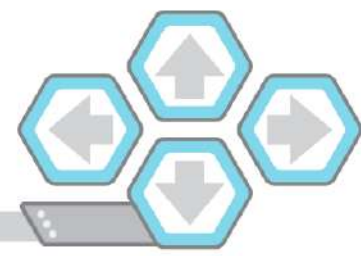
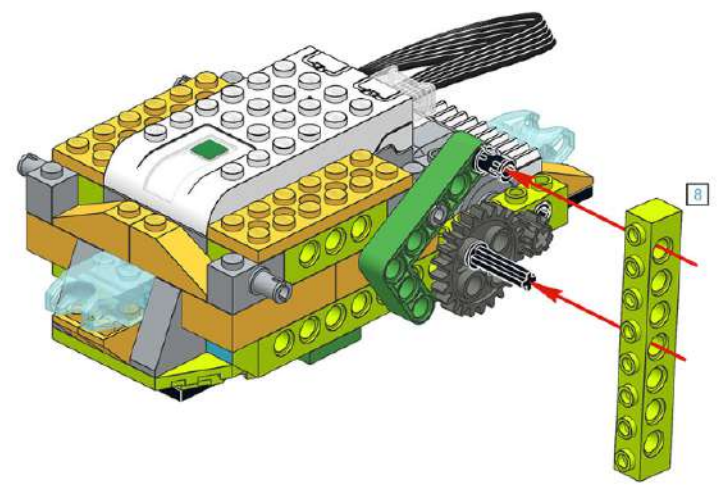
31

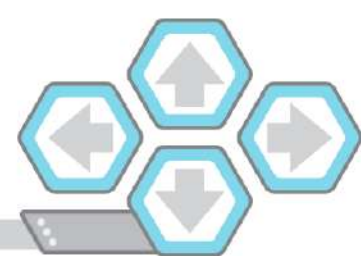
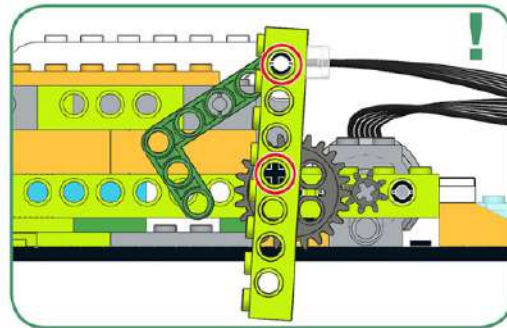
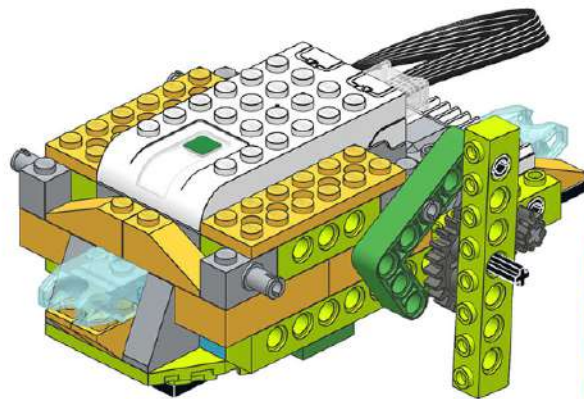


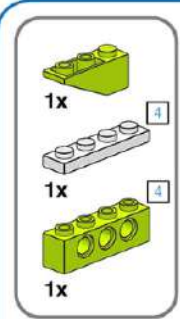
Assembly Step 32



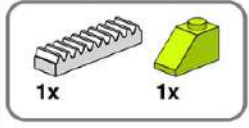
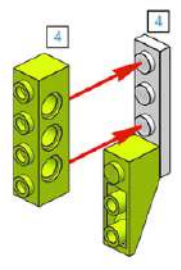
32



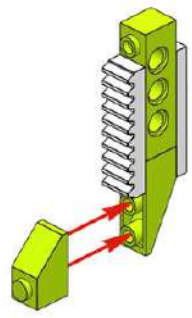




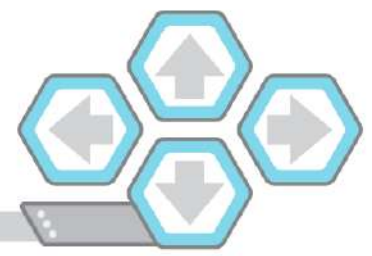
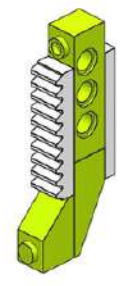
1



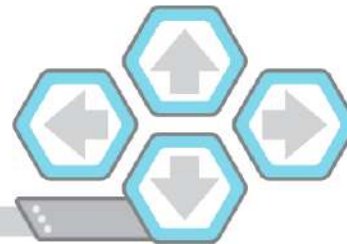
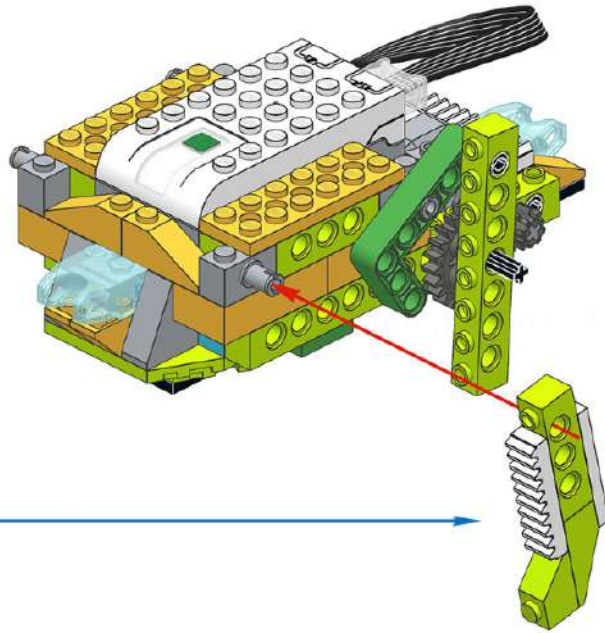
2

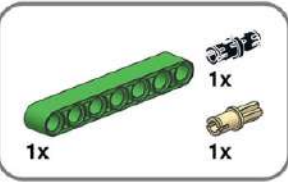


3

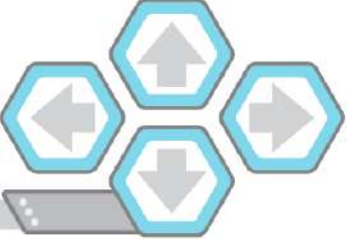
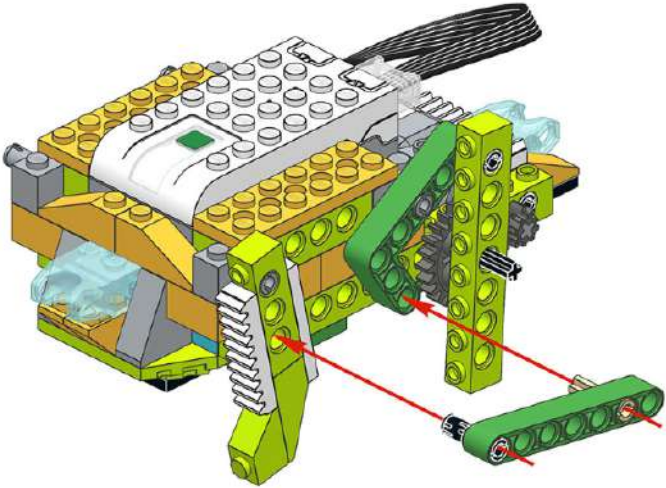


35

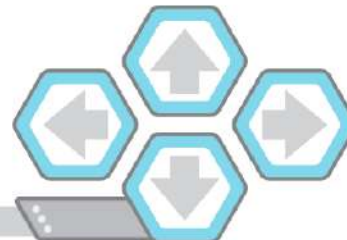
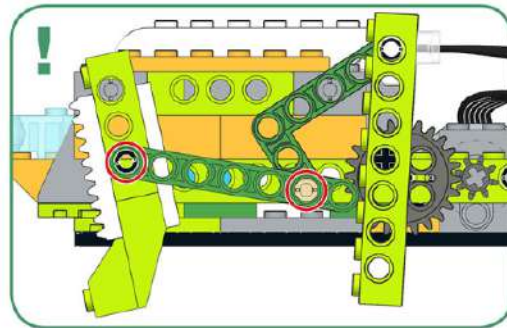
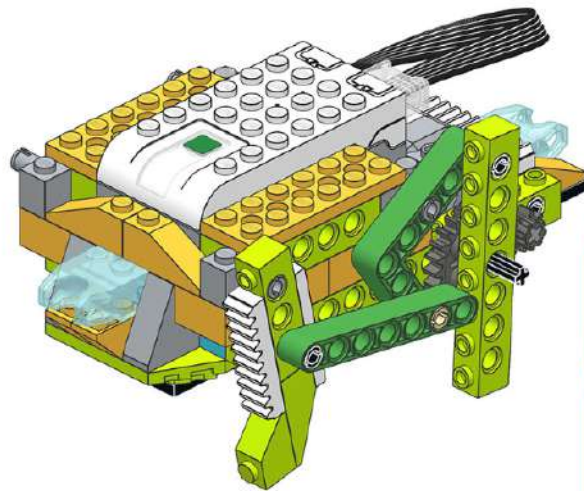


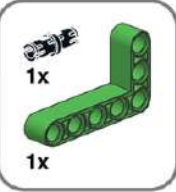


36

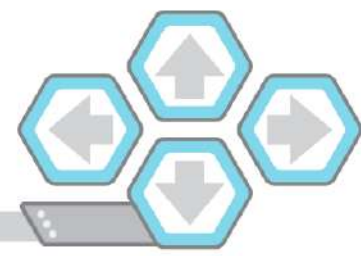
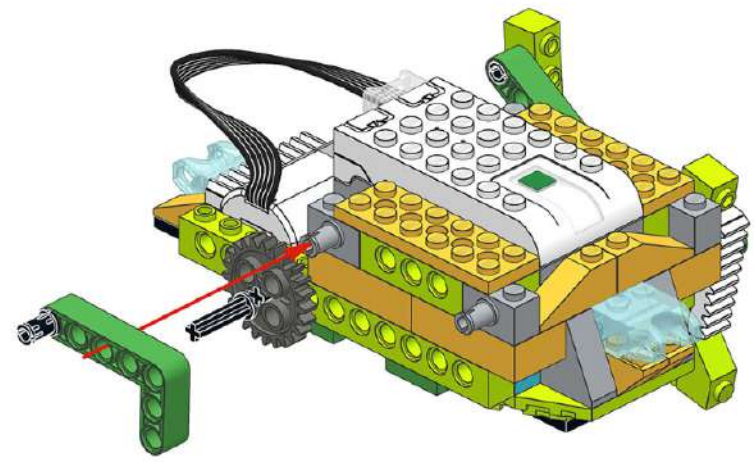


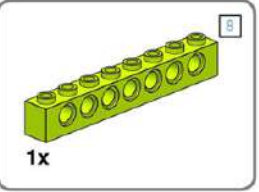
37



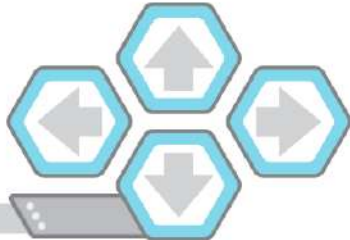
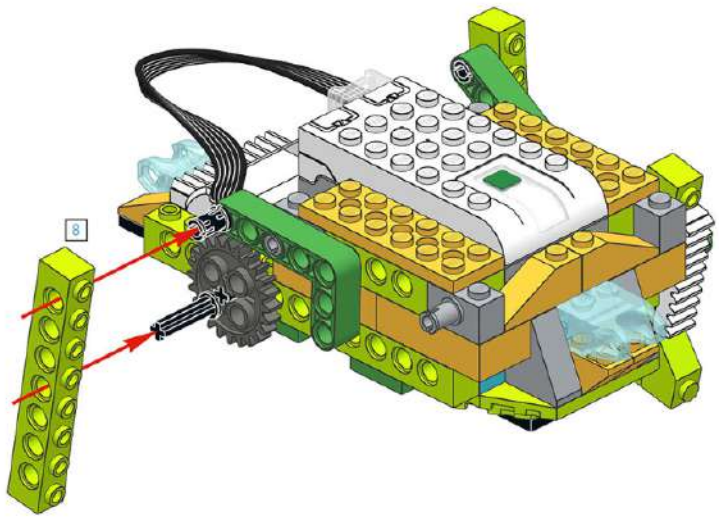


38

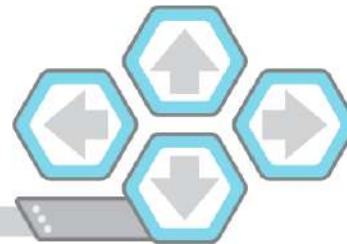
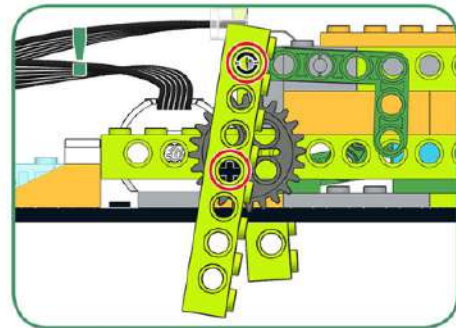
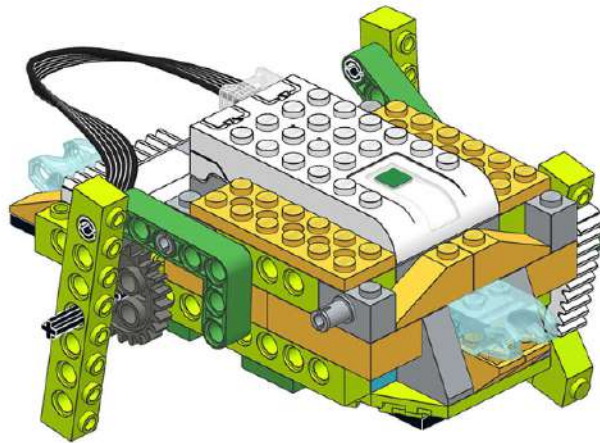


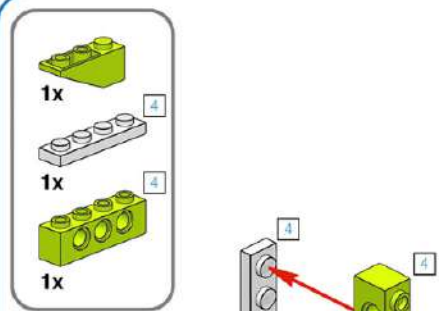


39

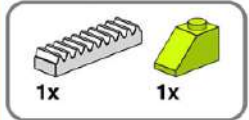
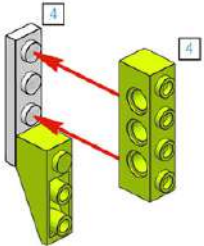


40

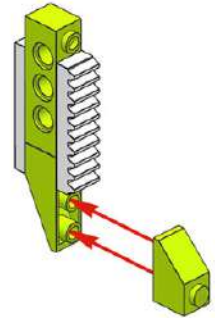




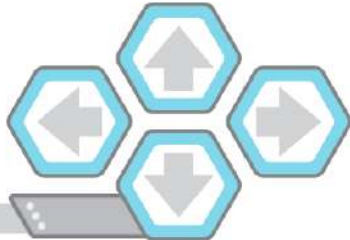
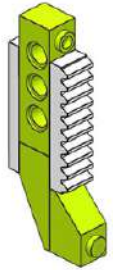
1



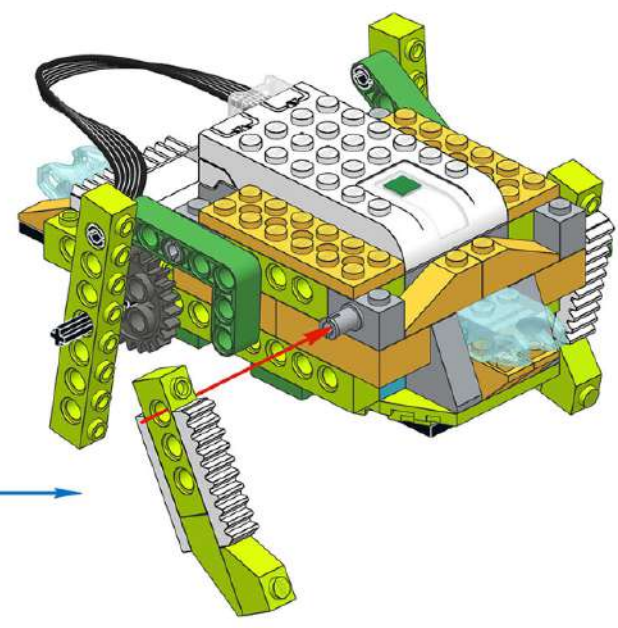
2



3



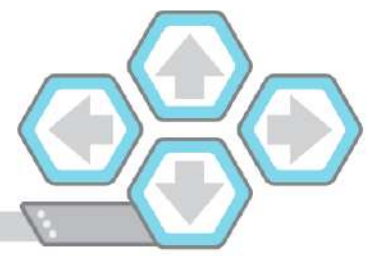
42

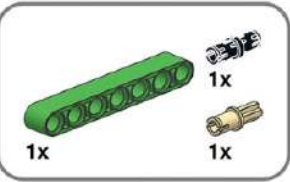


42/56

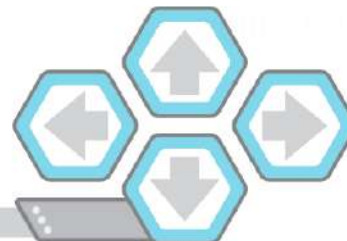
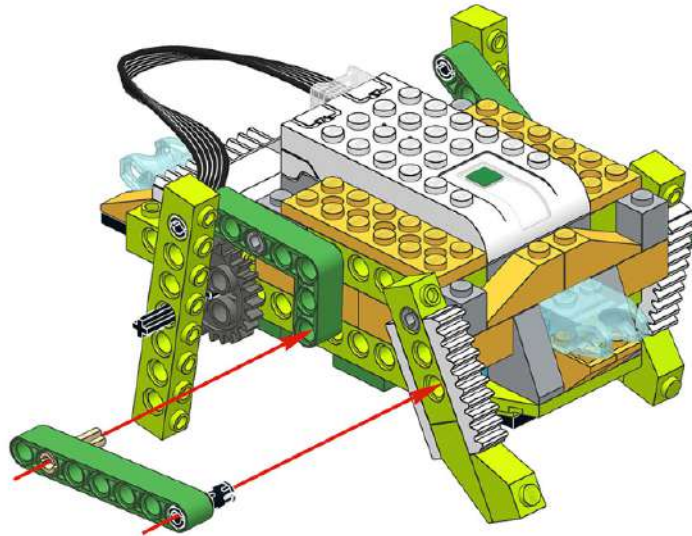
6

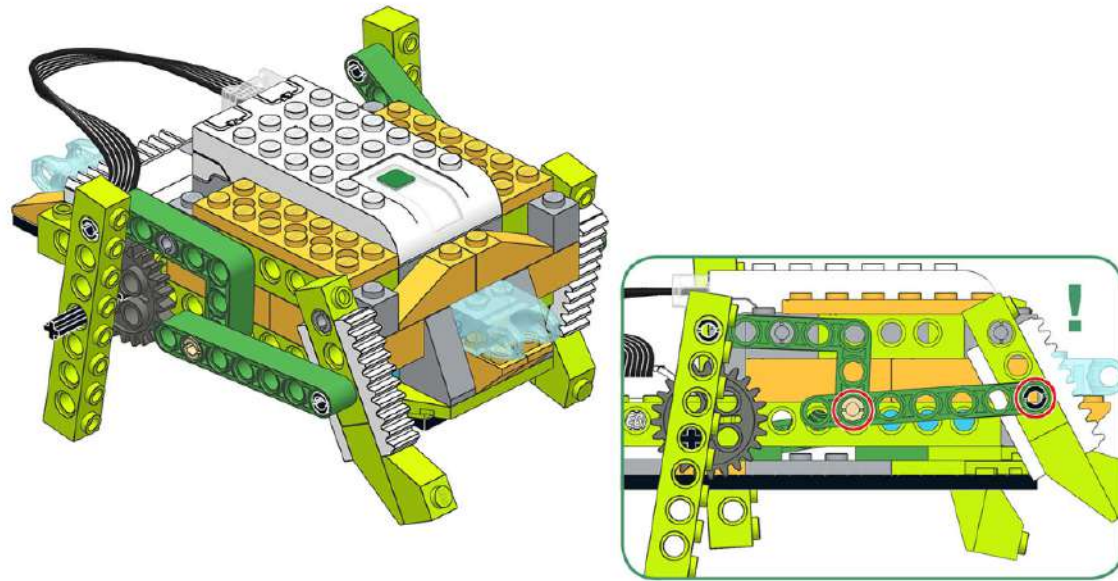
73





43



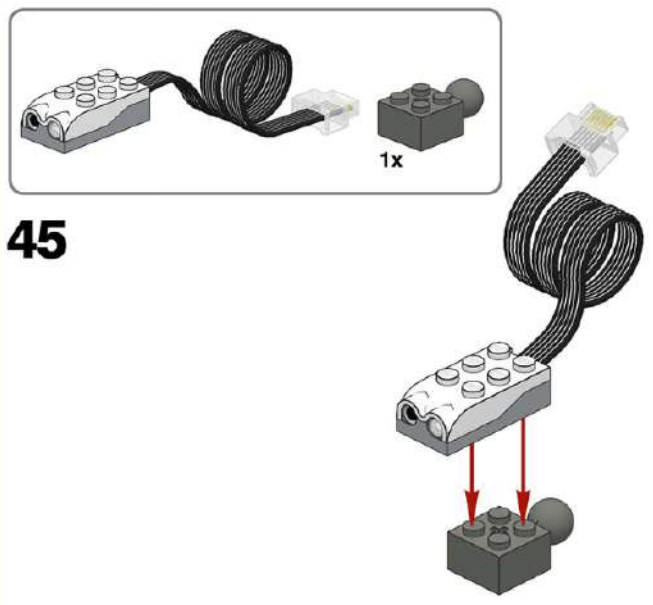
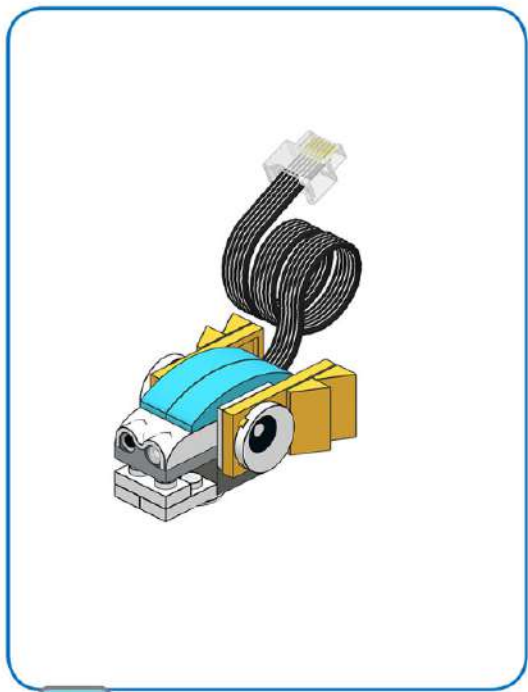


44/56

6

75

Assembly Step 45



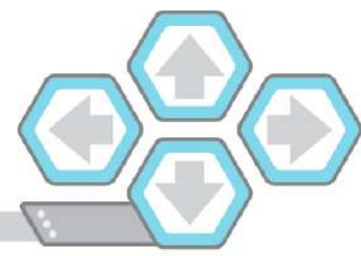
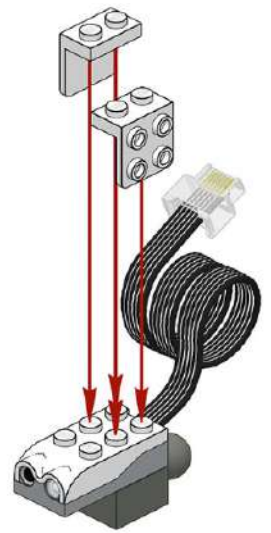
45/56

6

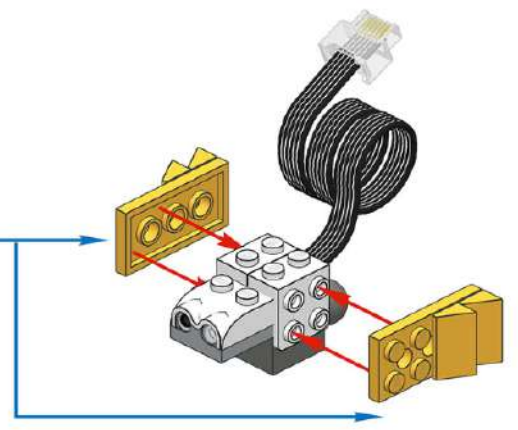
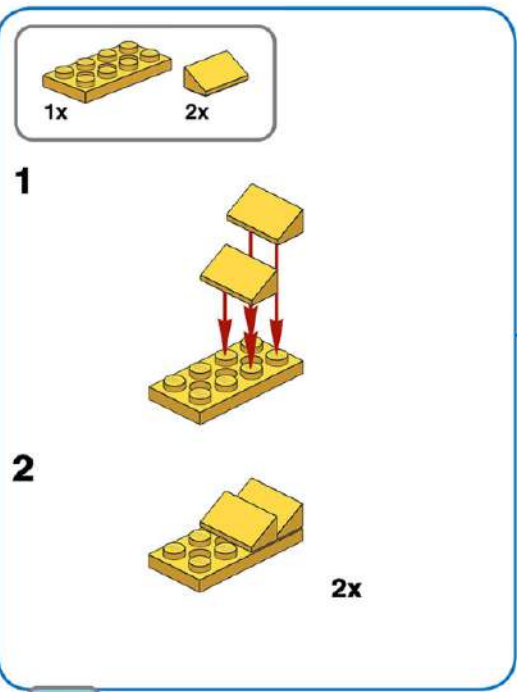
76



46



LEARN



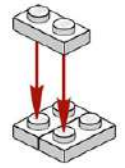
47/56

6

78

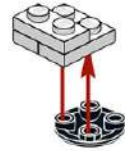
3x

1

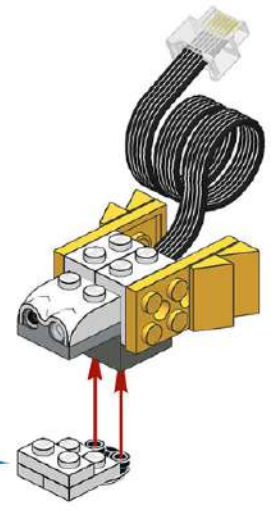



1x

2



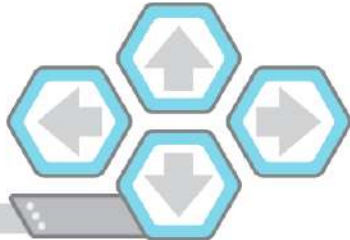
3



48/56

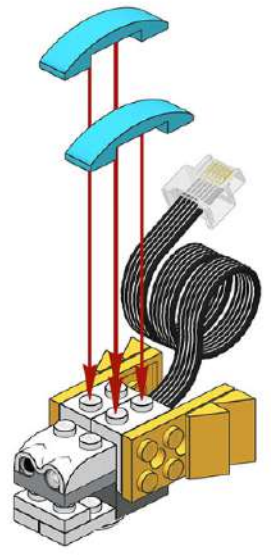
6

79

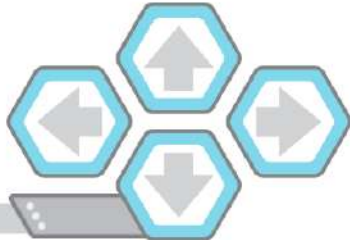




49

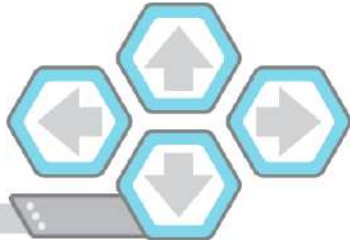
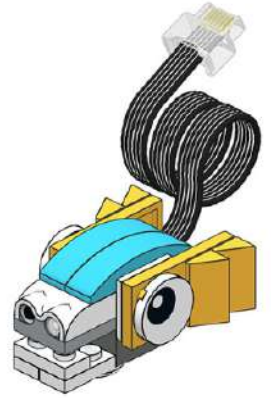


Step 49 of 56

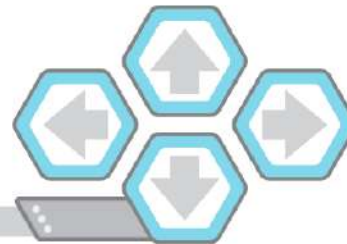
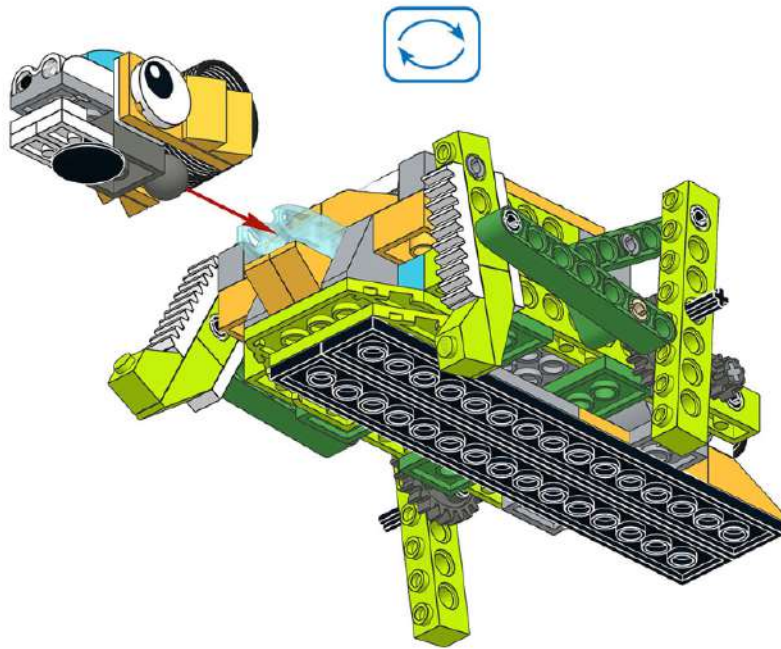




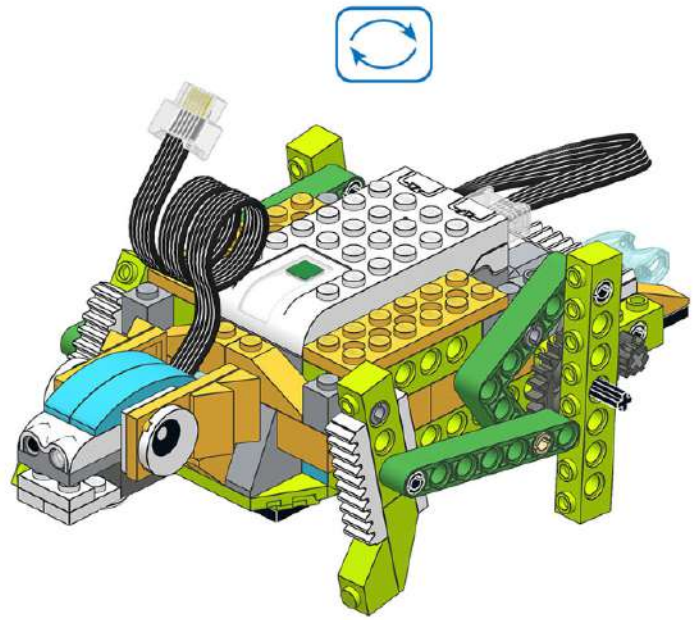
50



51



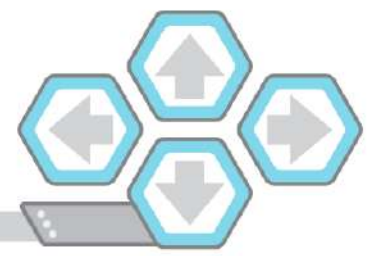
52



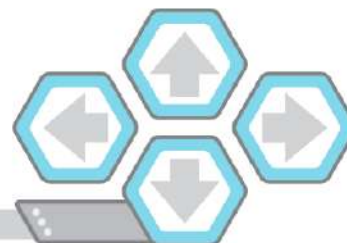
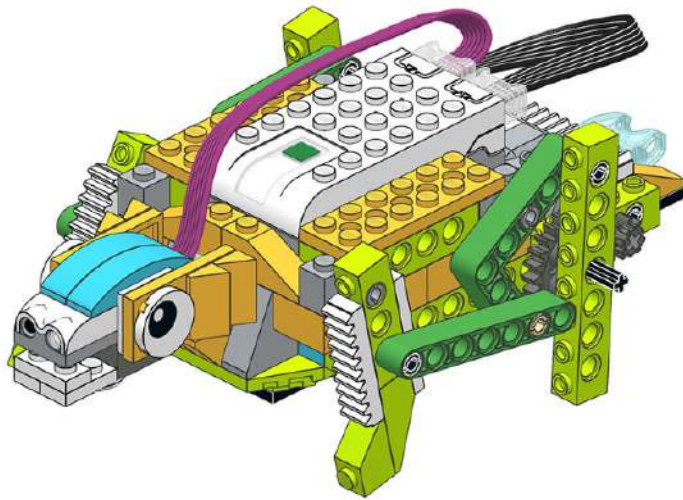
52/56

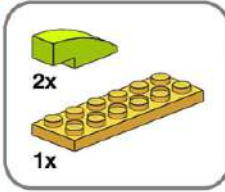
6

83

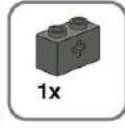


53

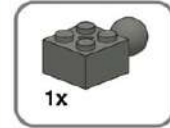




2x
1x

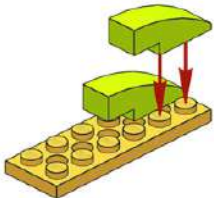


1x

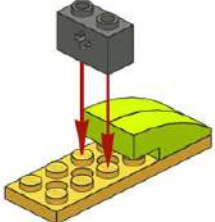


1x

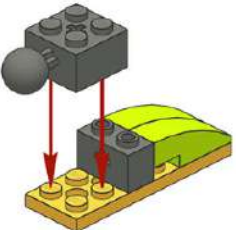
1



2



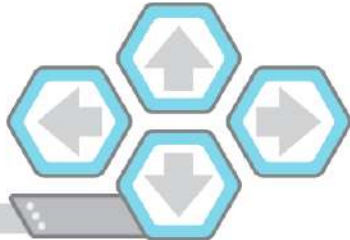
3



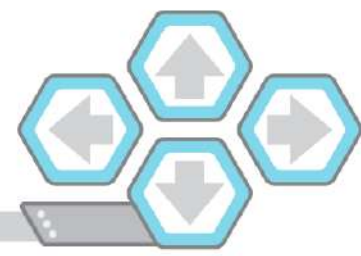
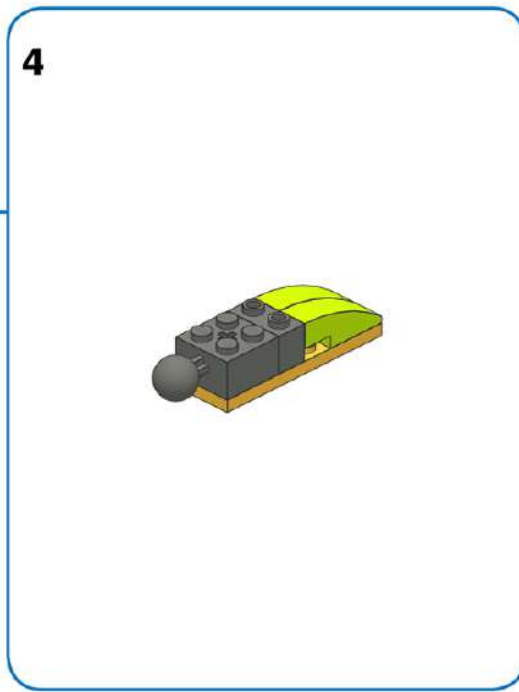
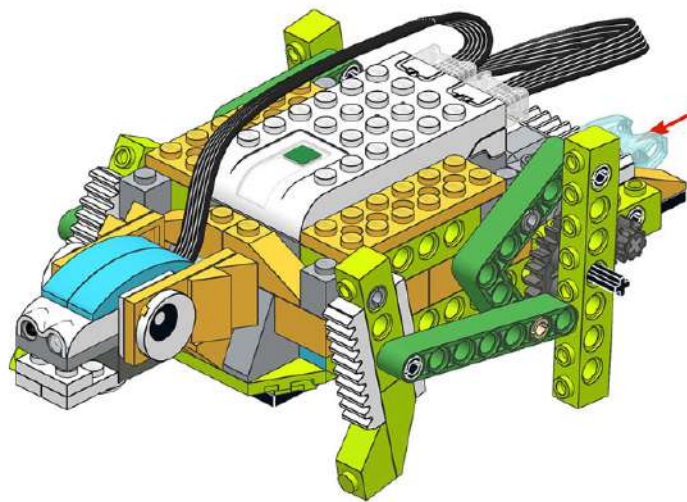
54/56

6

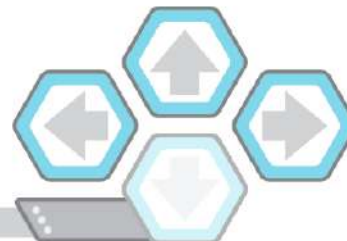
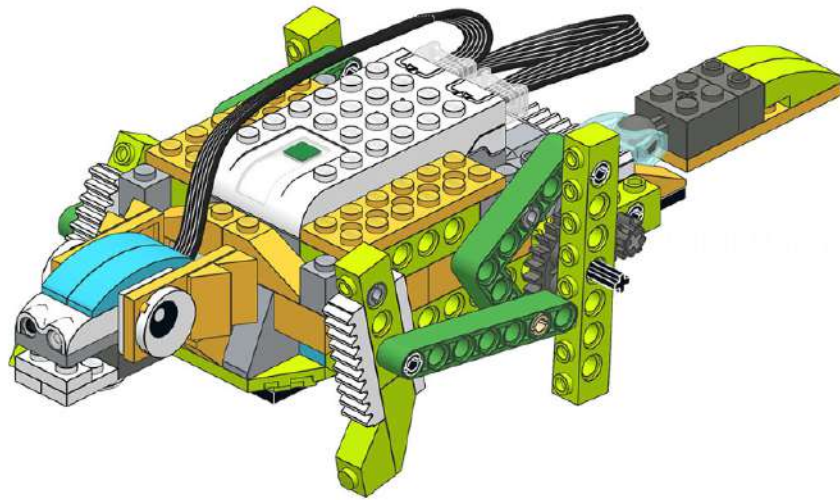
85



55

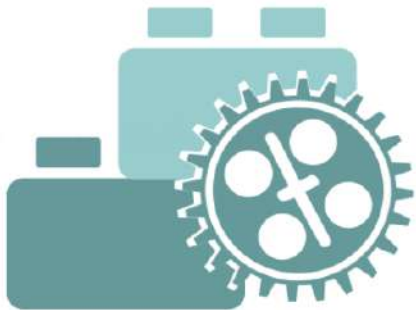


56

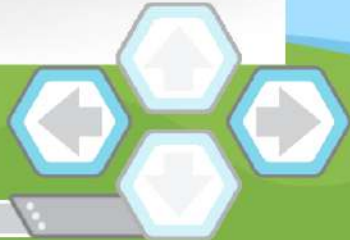


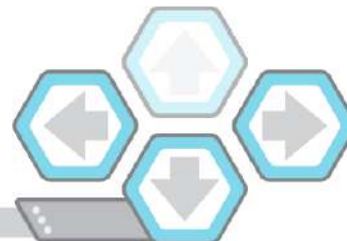
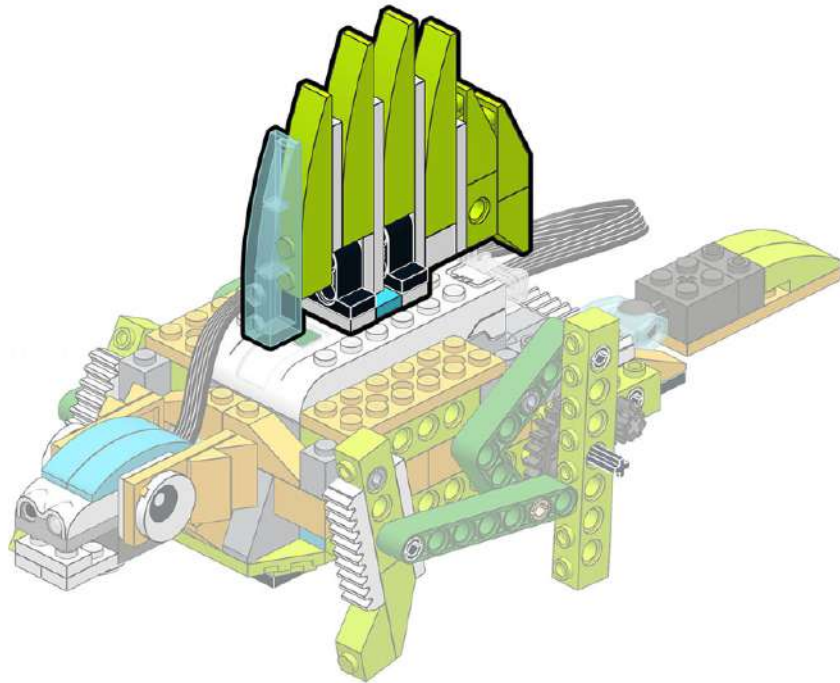
Enhanced version

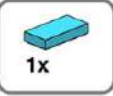
Add the "sail". So you transform Ophiacodon into Dimetrodon.



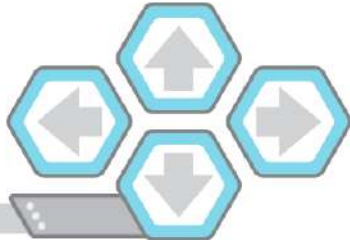
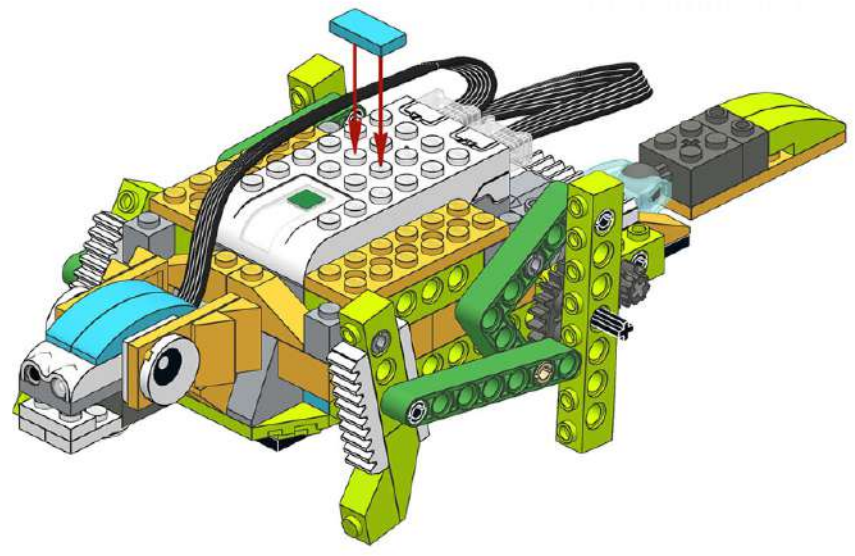
Dimetrodon



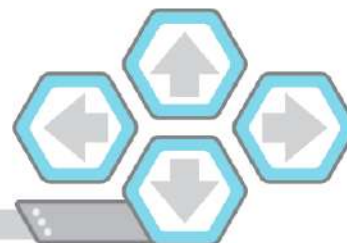
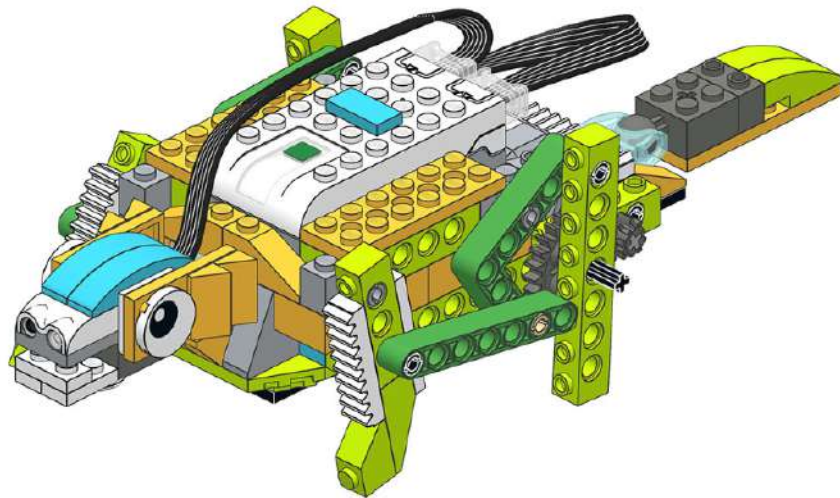


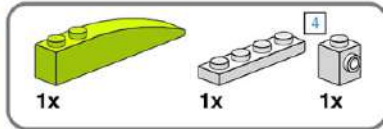


57

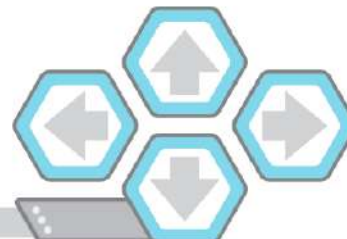
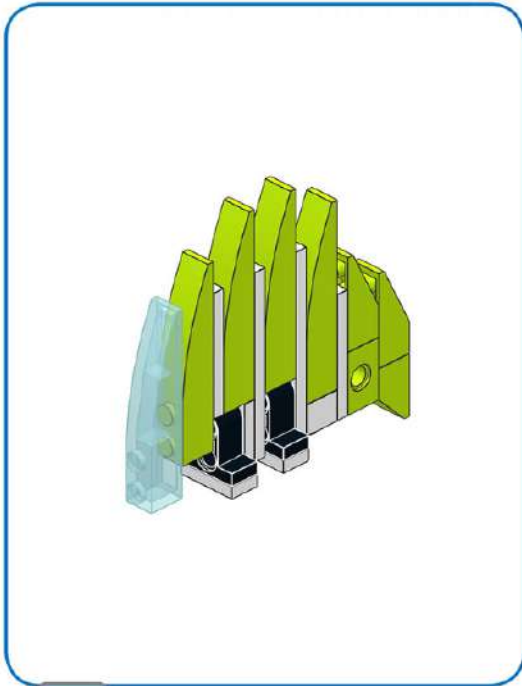
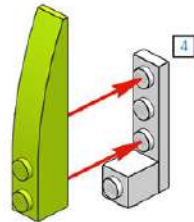


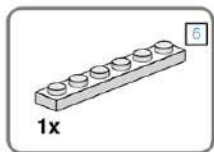
58



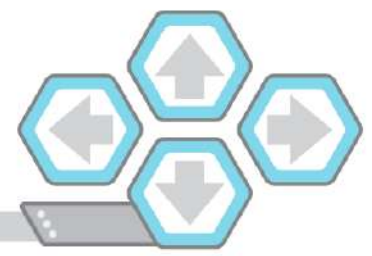
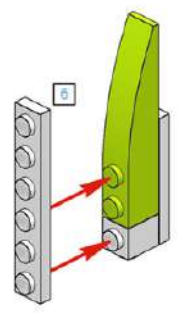


59

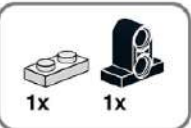




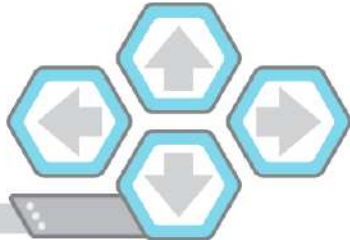
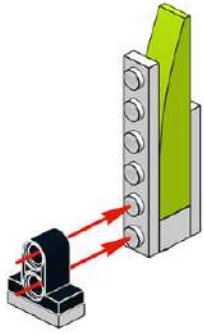
60

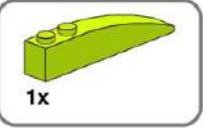


LEARN TO BUILD

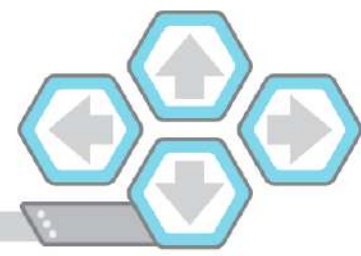
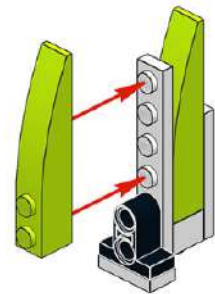


61



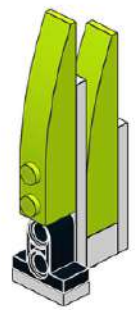


62



63

1. Connect the motor to the



8/18

0

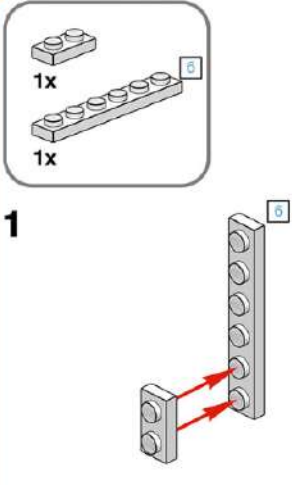
96

A vertical stack of three hexagonal icons. The top one contains the text '8/18'. The middle one contains a yellow star icon and the number '0'. The bottom one contains the number '96'. To the right of the '0' icon is a hexagonal icon with a green play button symbol. Below the '96' icon is a hexagonal icon with a grey gear symbol.

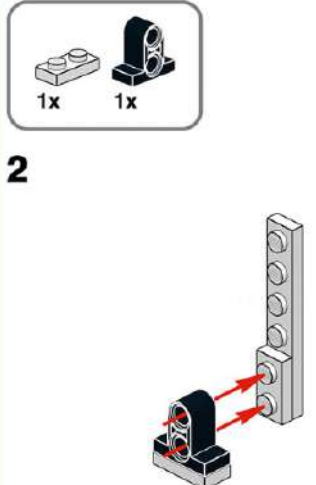
A cluster of four hexagonal icons arranged in a diamond shape. Each icon contains a grey arrow pointing in a different direction: up, down, left, and right.

A cluster of five hexagonal icons. From left to right: a red square, a gear, a padlock, and a computer monitor.

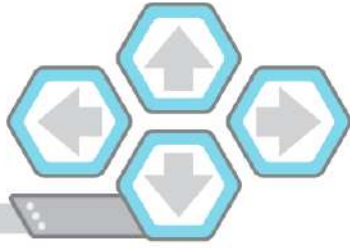
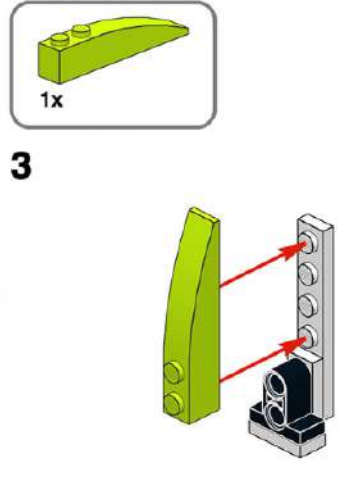
1



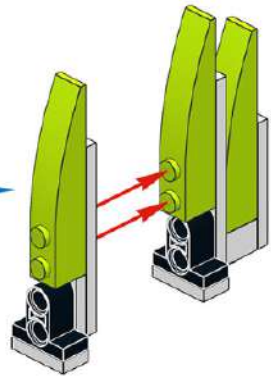
2



3



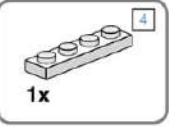
4



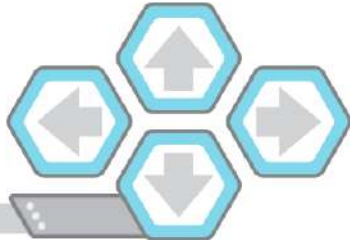
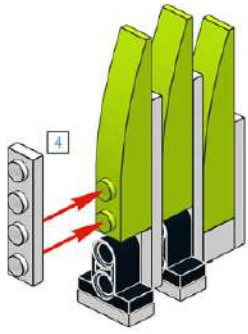
10/18

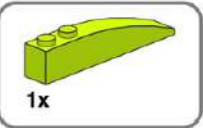
0

98

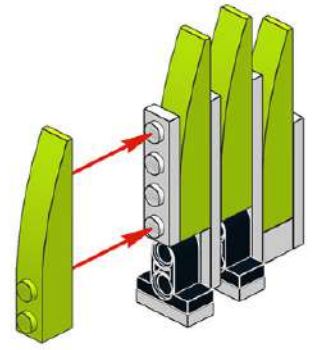


66

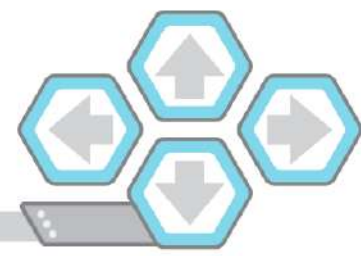


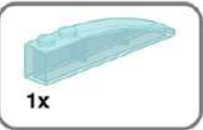


67

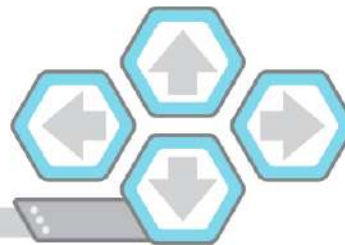
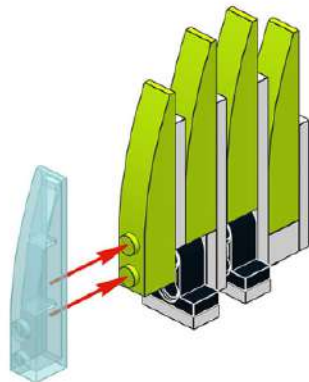


Click and drag here

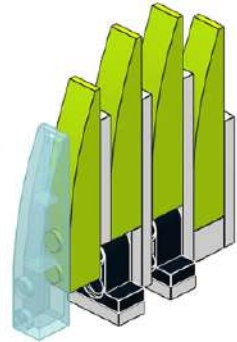




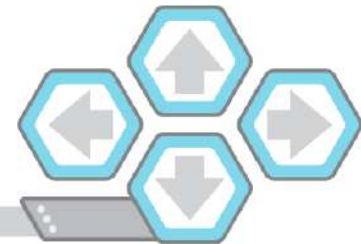
68



69



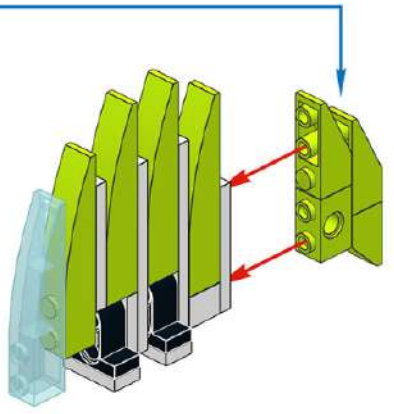
and its components



2x 1x 1x

1

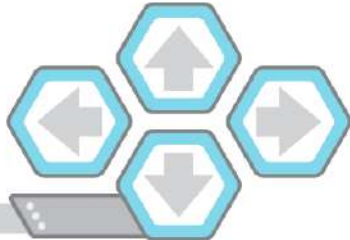
2



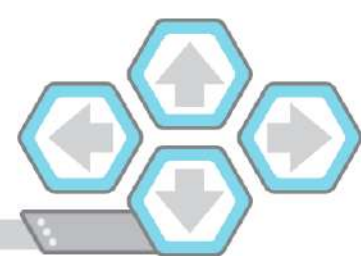
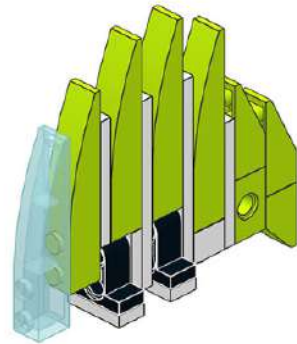
15/18

0

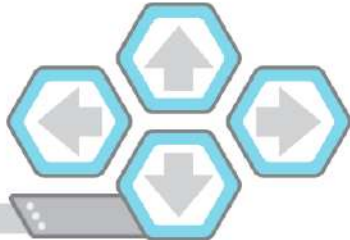
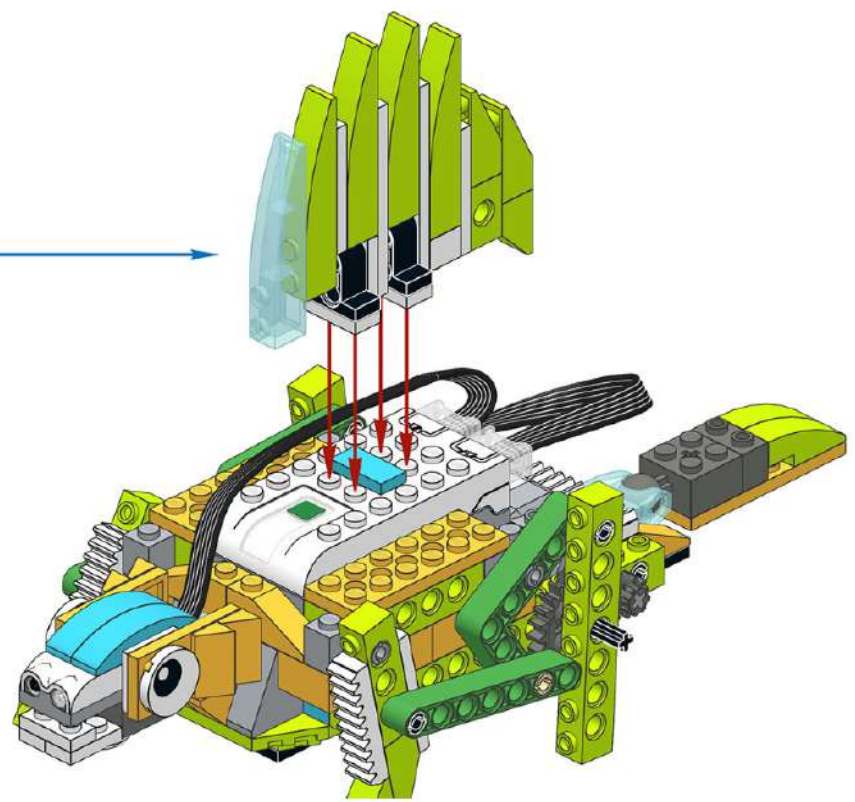
103



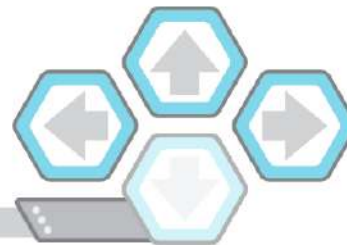
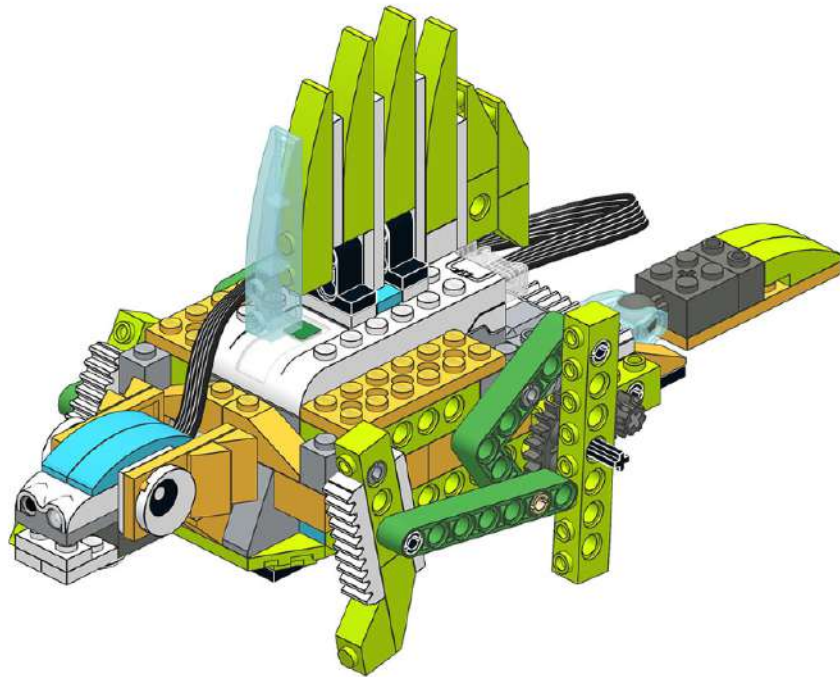
71



72



73



Check it out!

Avoid any friction
between the cables
while robot is moving.

