

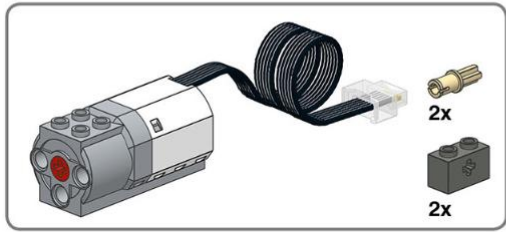


Sauropods

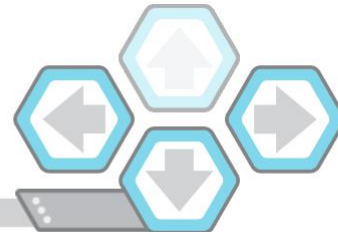
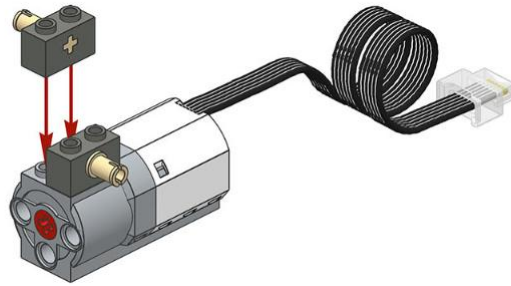


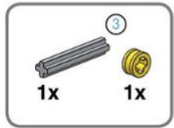
Sauropod



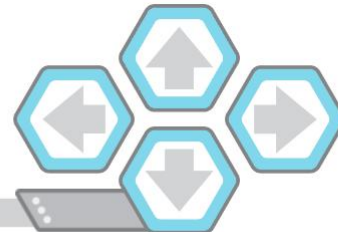
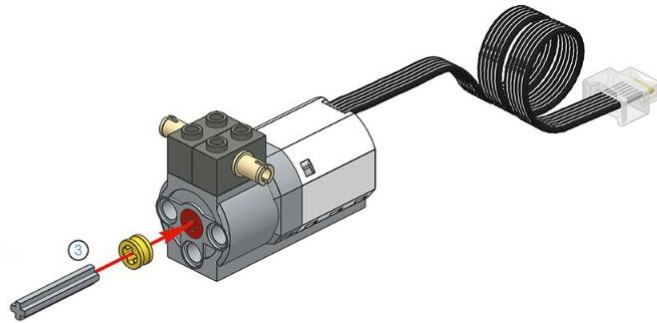


1

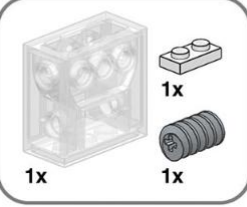




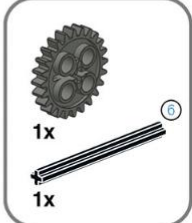
2



1



2



3


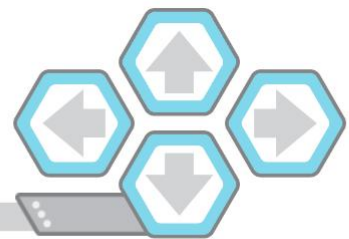


Diagram illustrating the assembly steps for a motor component:

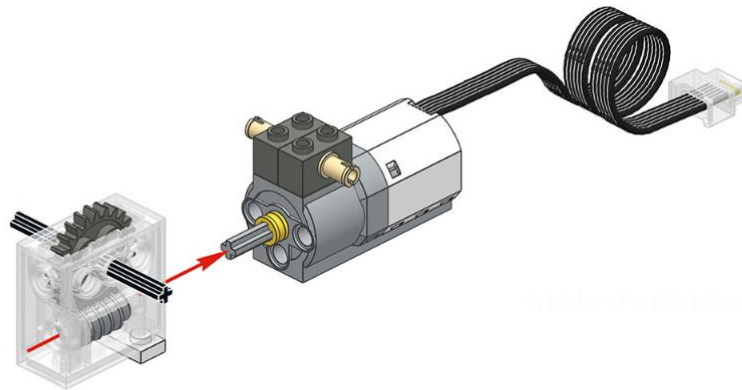
- Step 1: A clear 2-hole Technic brick is shown with a grey 1-hole Technic brick and a grey axle with a stop being inserted into it.
- Step 2: A grey 24-tooth Technic gear and a grey axle with a stop are shown. The gear is then inserted onto the axle.
- Step 3: The gear is shown mounted on the axle, which is inserted into the clear Technic brick.



© 2015 Smart Education



4



4/56

4

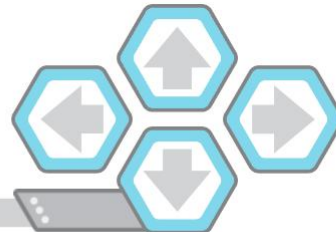
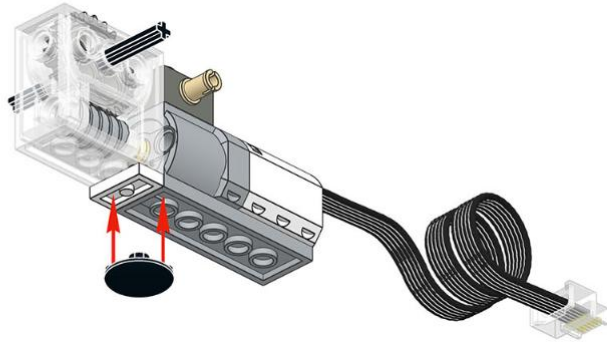
40

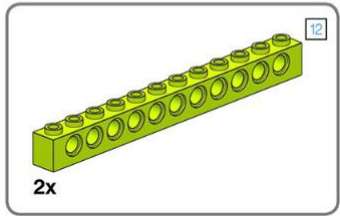
A progress bar at the bottom left shows 40% completion. To its right are navigation icons: a yellow star, a play button, and a set of four directional arrows (up, down, left, right).

A set of control icons including a red square, a gear, a lock, a computer monitor, and a speaker.

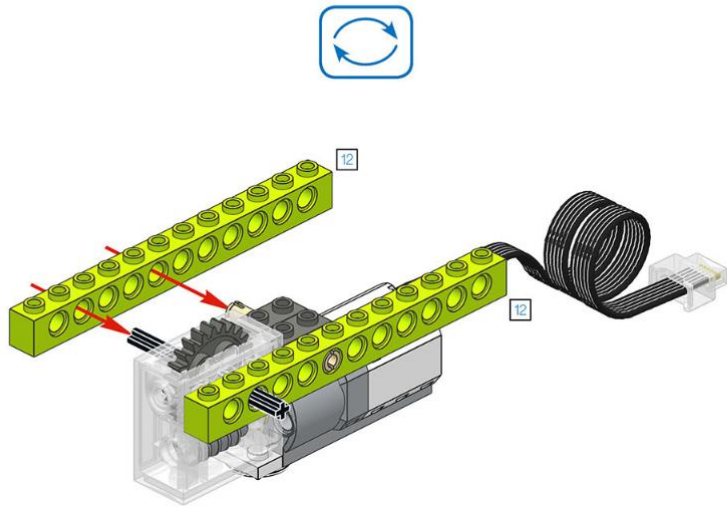


5

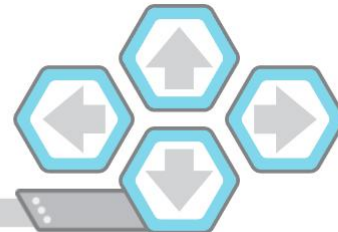


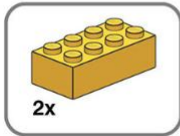


6

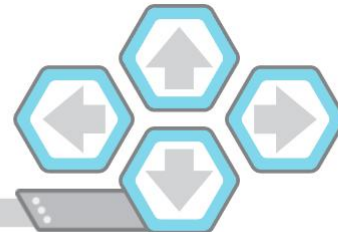
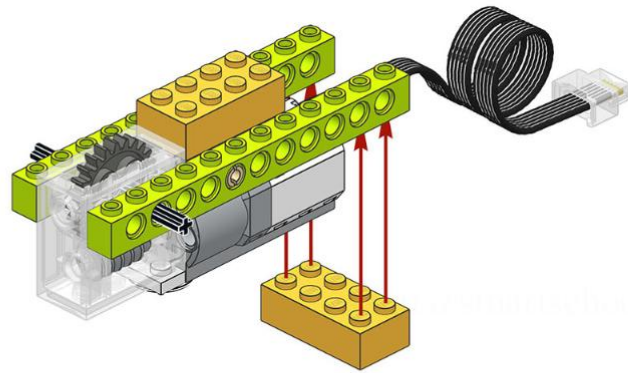


simplysimplyschool.com



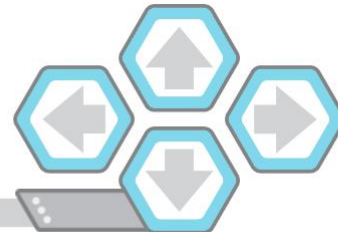
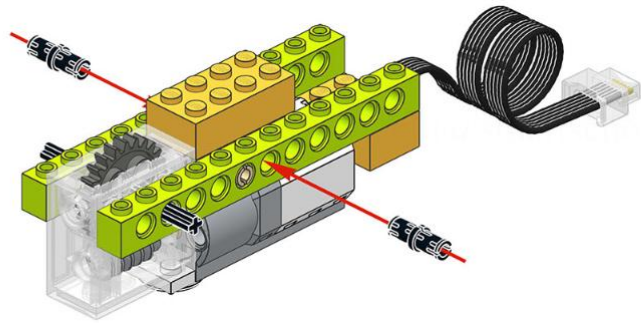


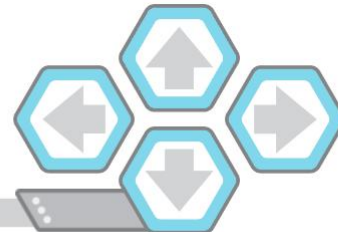
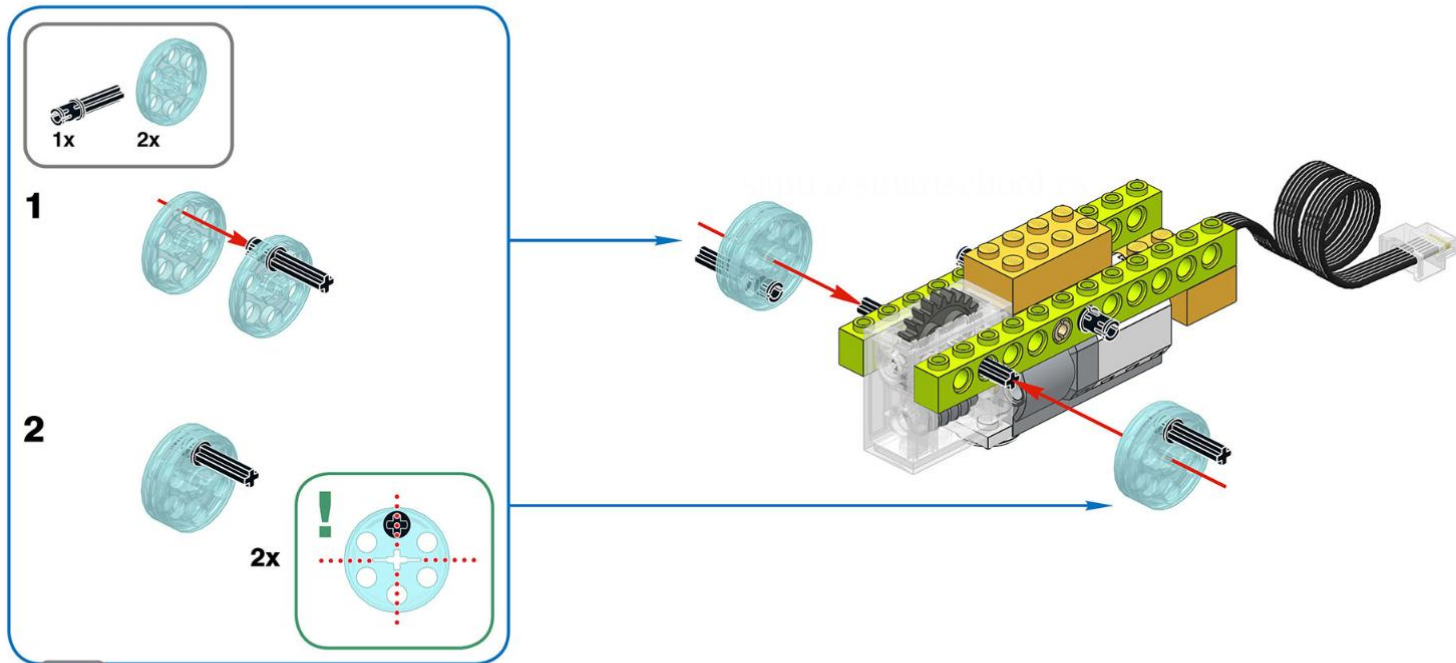
7





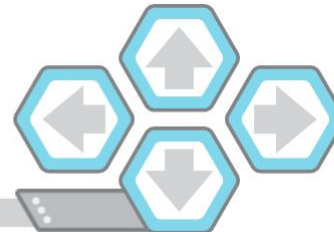
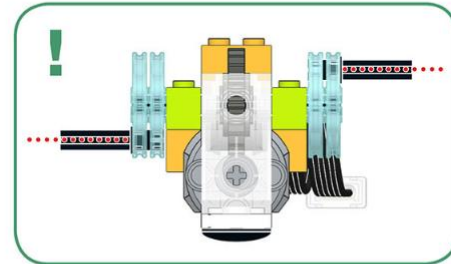
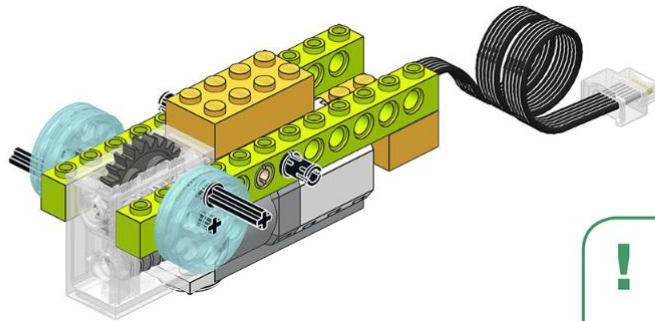
8

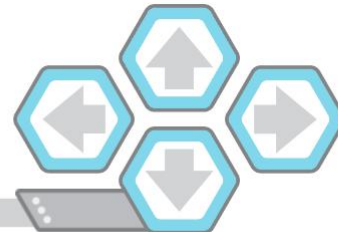
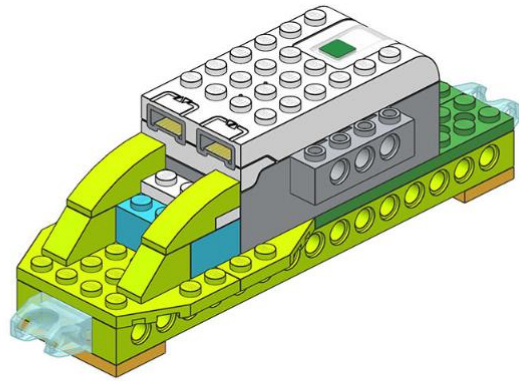


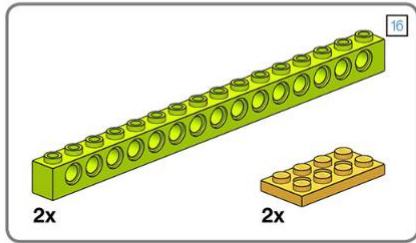


smart & smart school cs

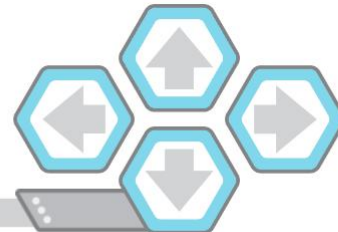
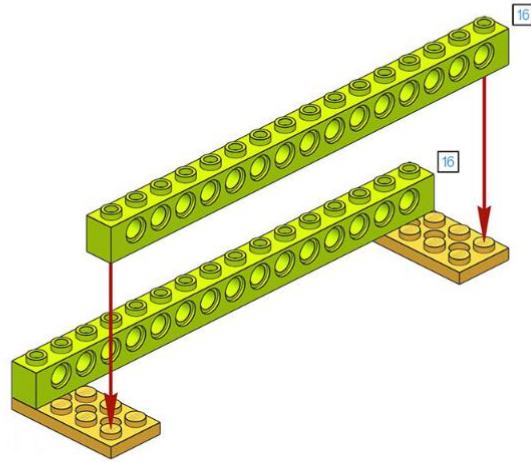
10

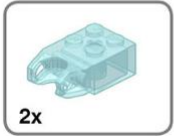




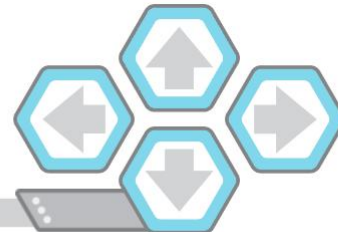
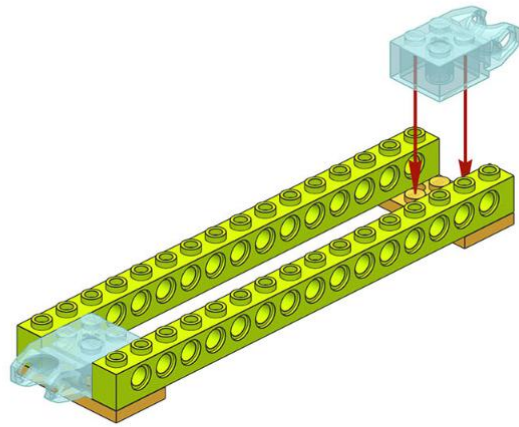


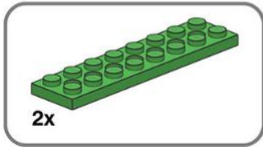
12



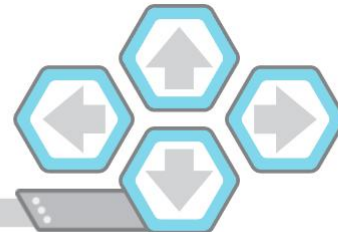
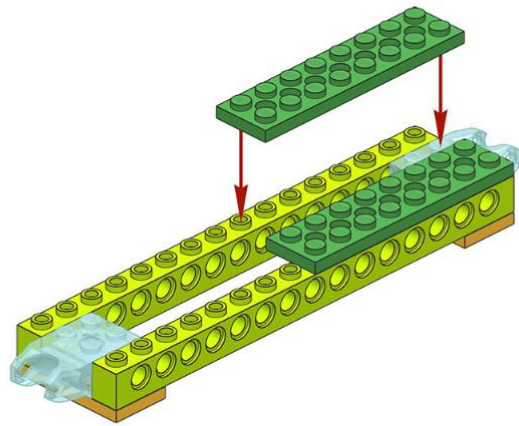


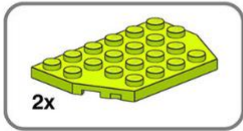
13



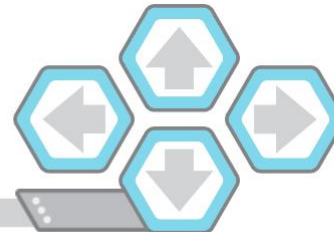
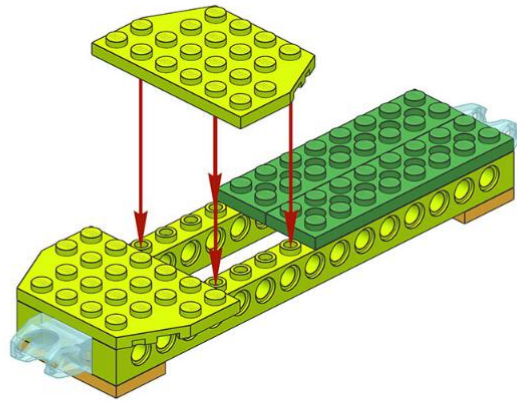


14





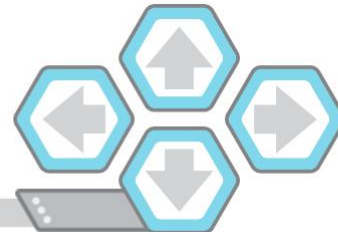
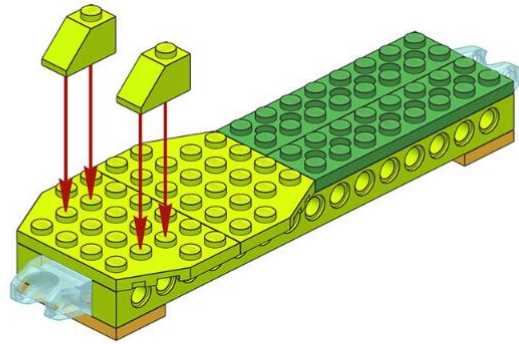
15

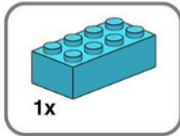


robotic-education.com

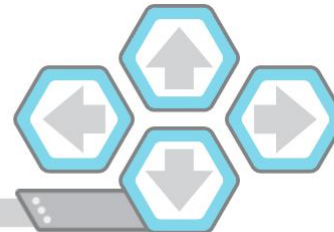
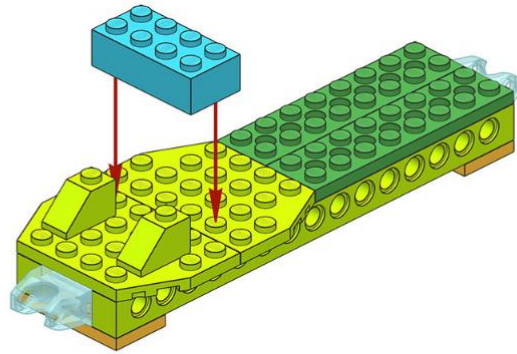


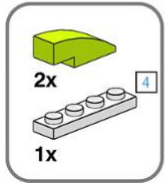
16



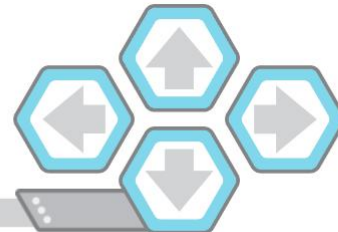
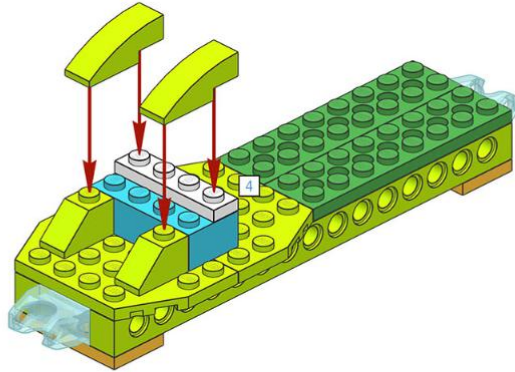


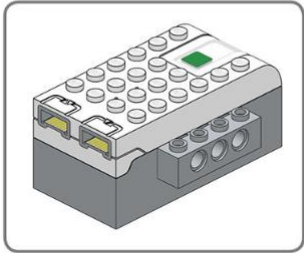
17



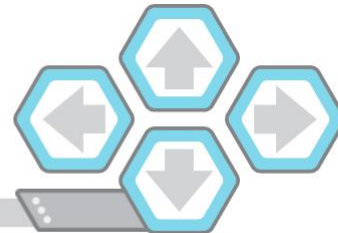
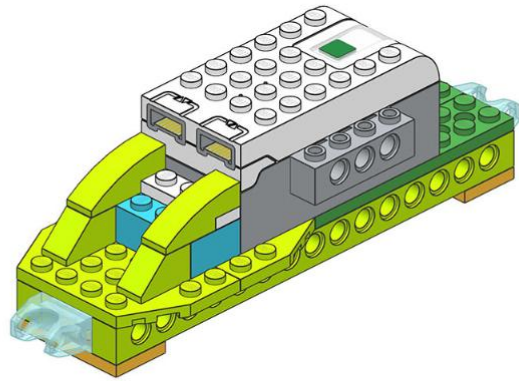


18

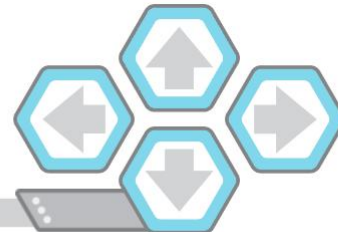
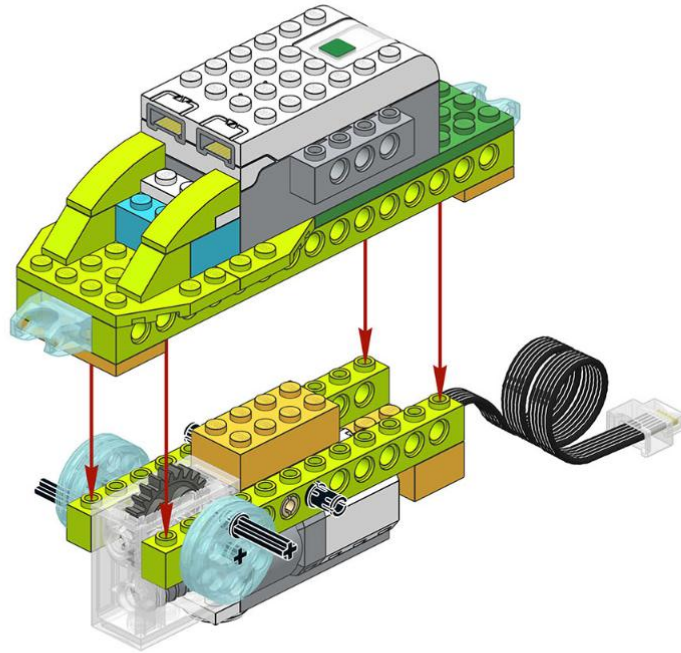




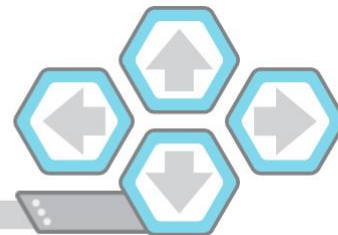
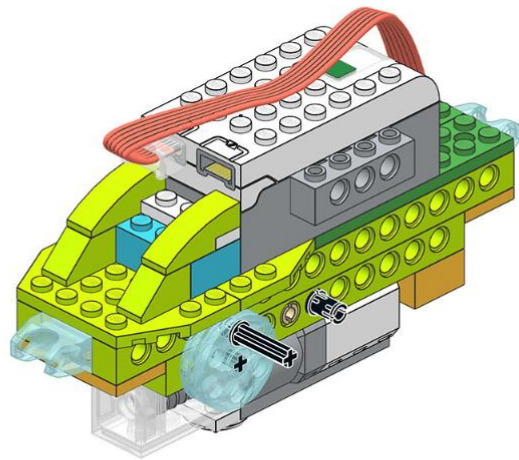
19

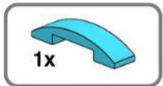


20

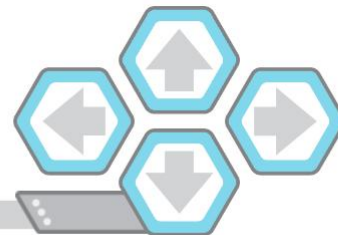
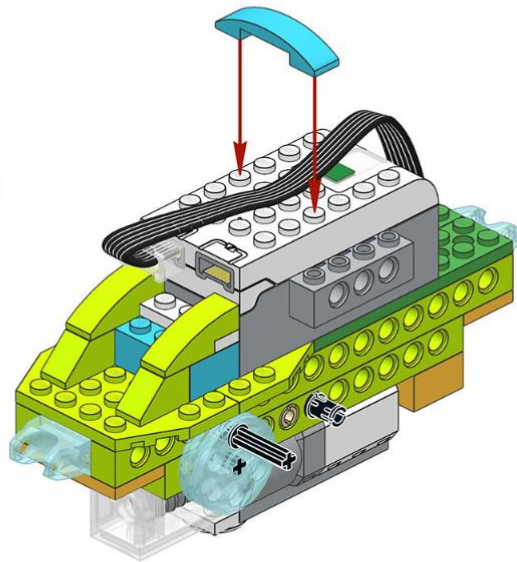


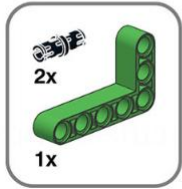
21



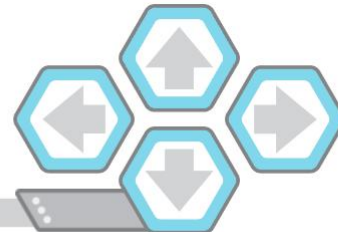
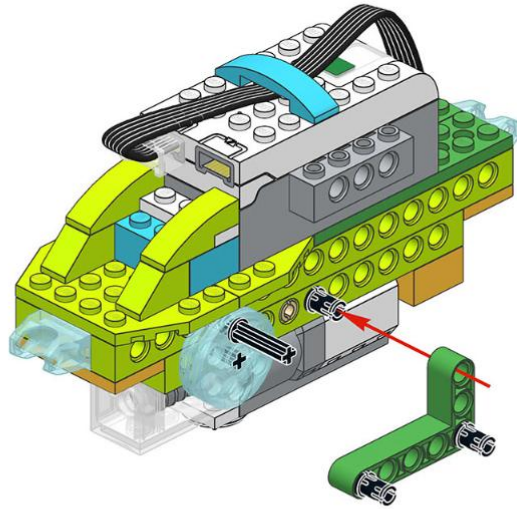


22

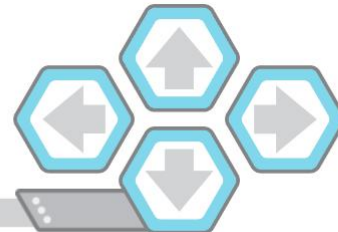
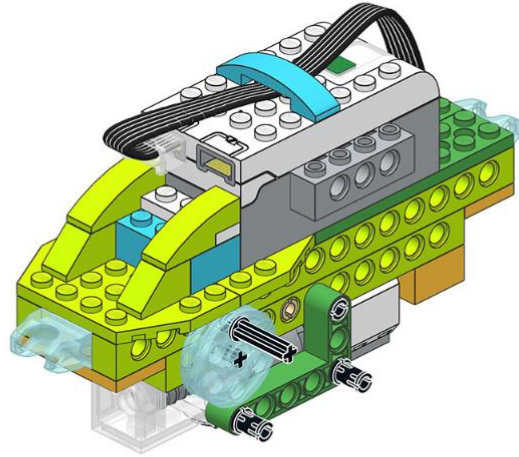




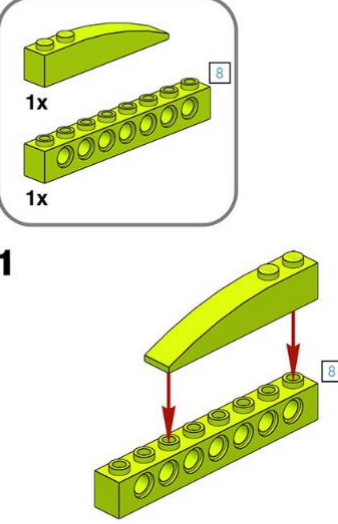
23



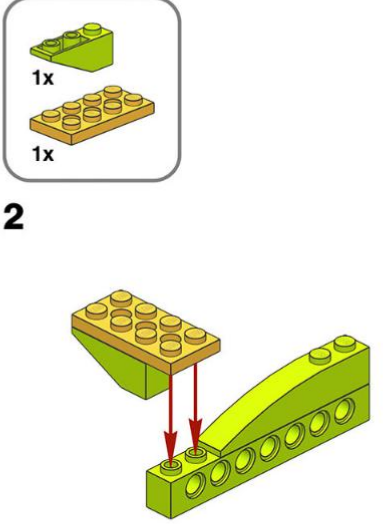
24



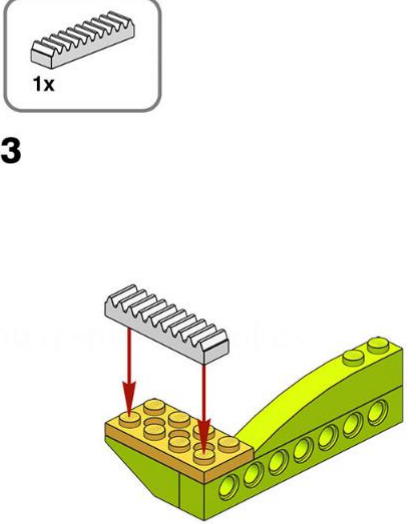
1



2



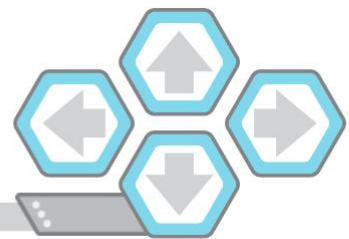
3



25/56

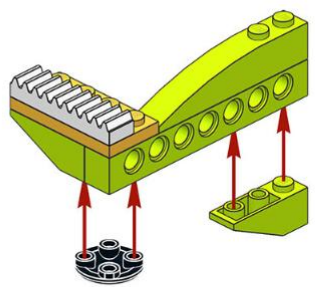
4

61

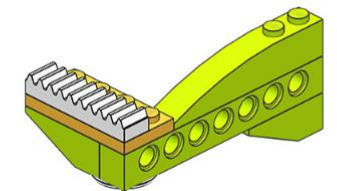


4

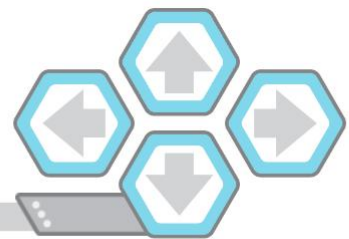
1x 1x



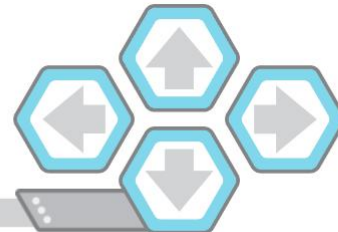
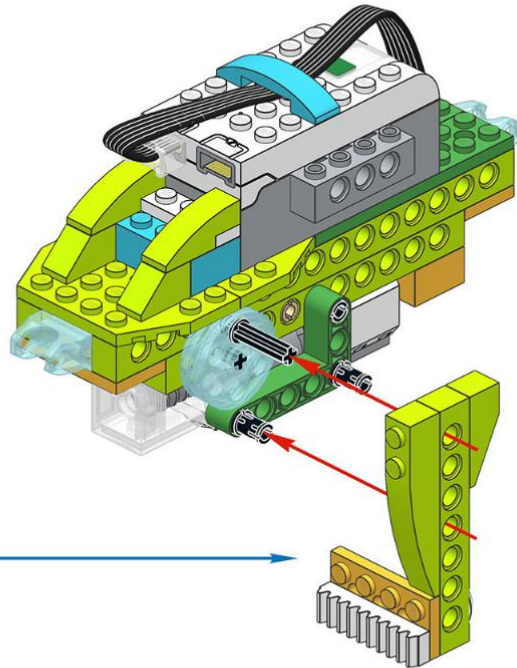
5



www.robotics.com

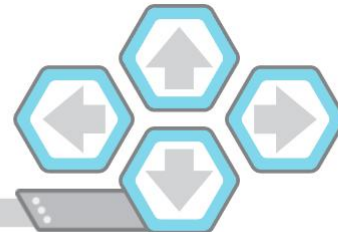
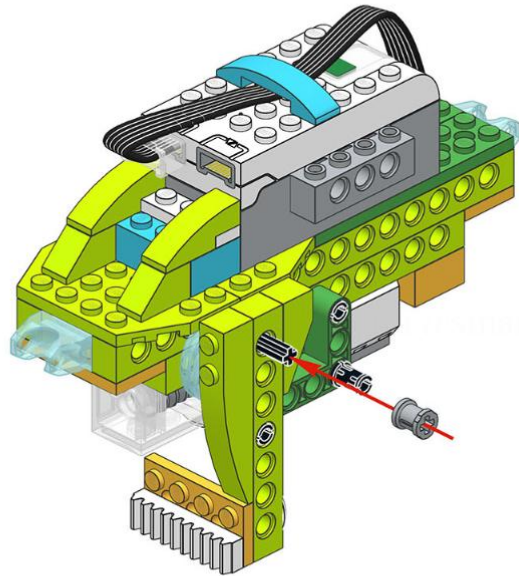


27

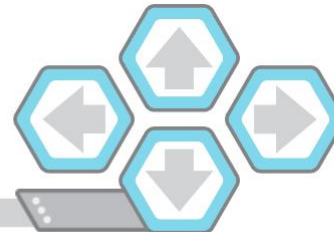
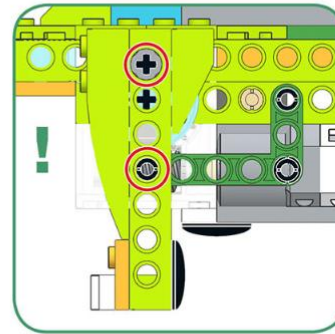
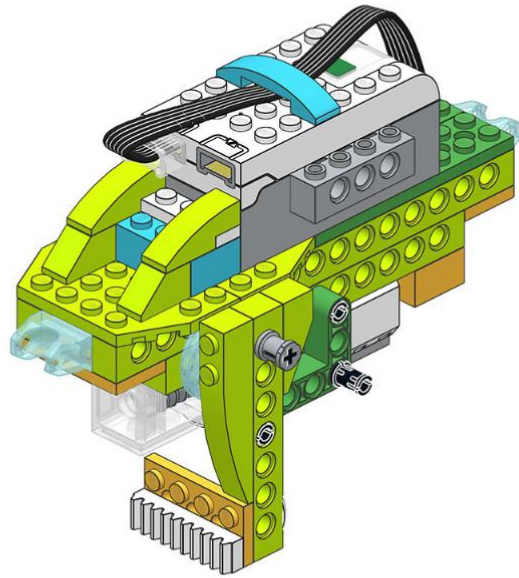




28



29

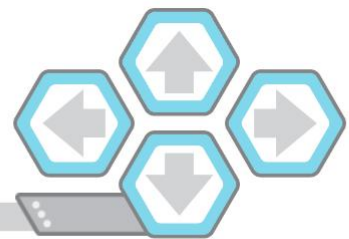


www.roborise-it.es

1

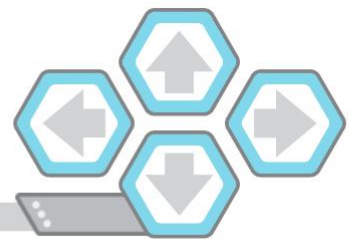
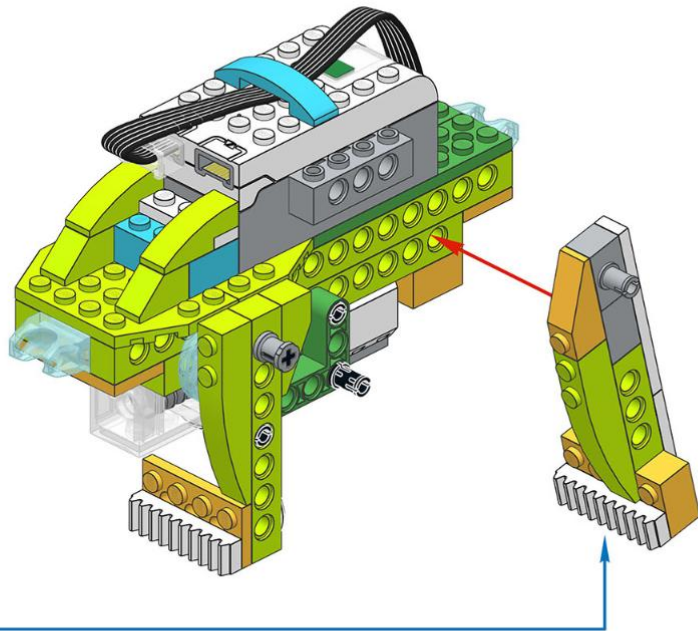
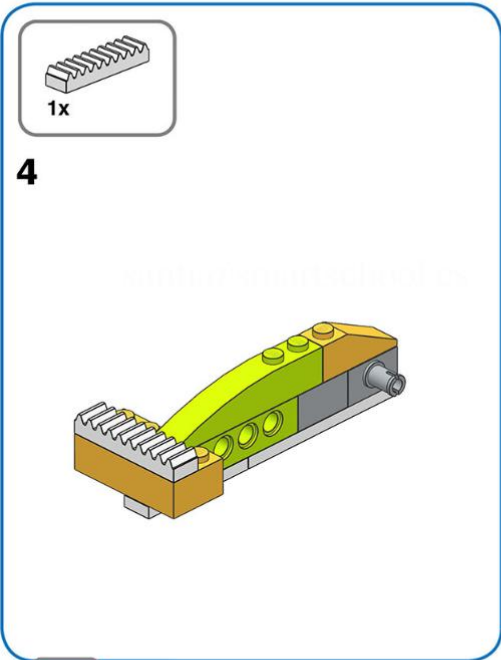
2

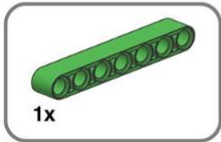
3



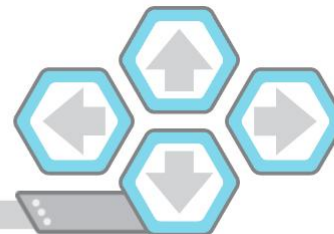
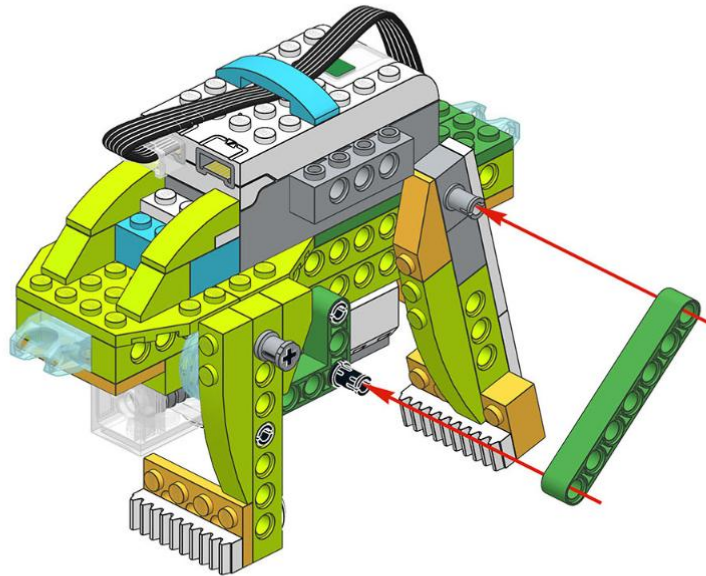
1x

4



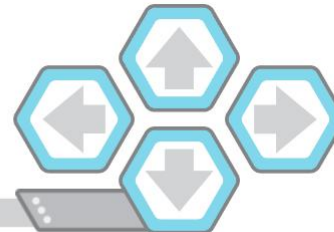
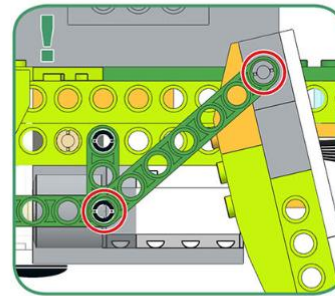
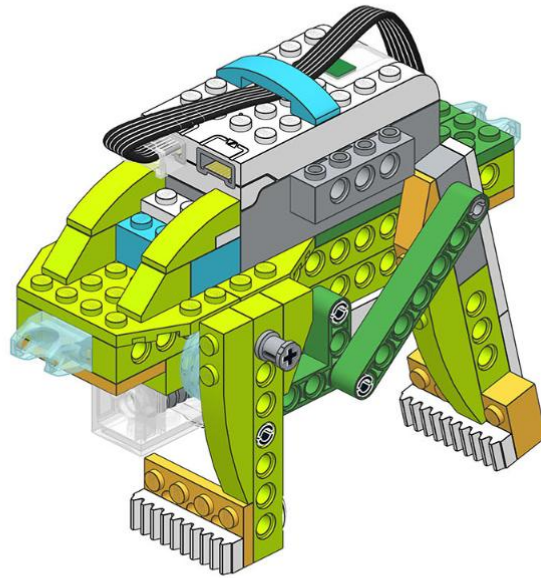


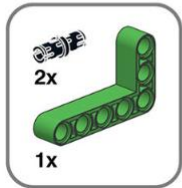
32



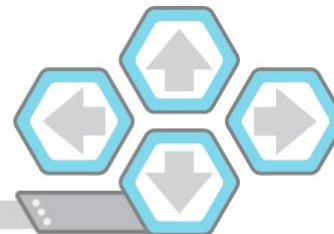
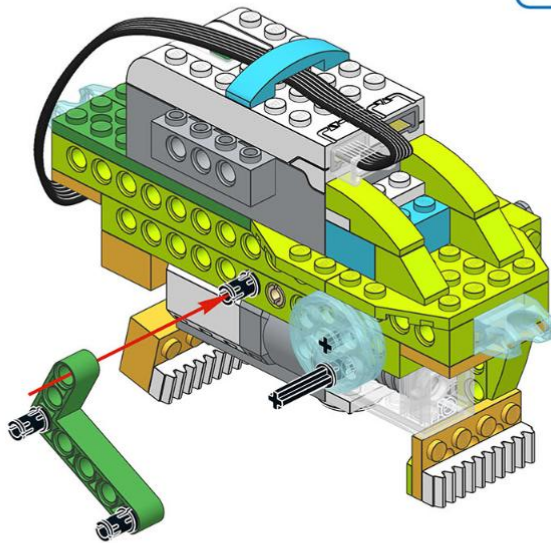
www.robot-school.es

33

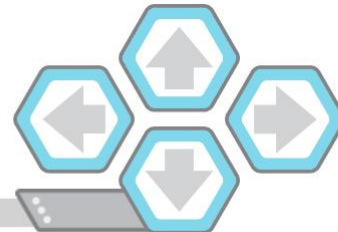
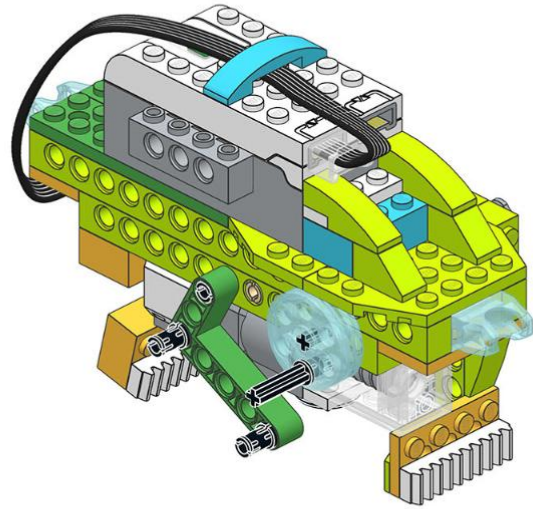




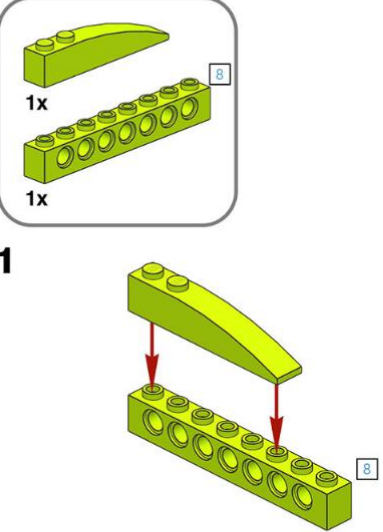
34



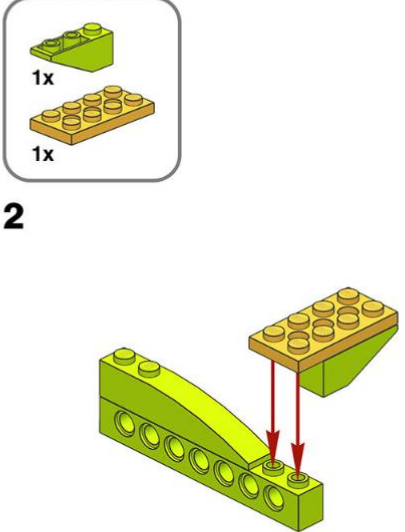
35



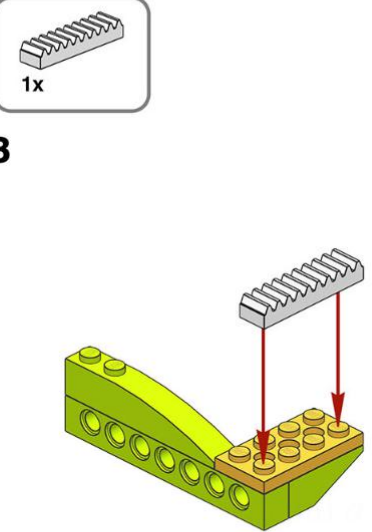
1



2



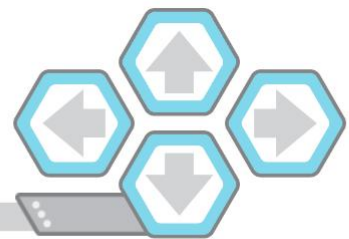
3





36/56

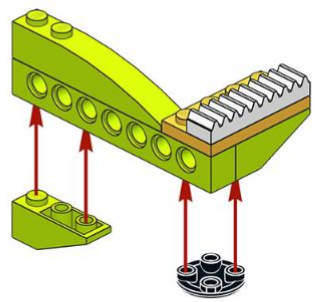
4

72

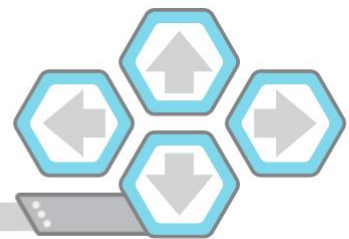
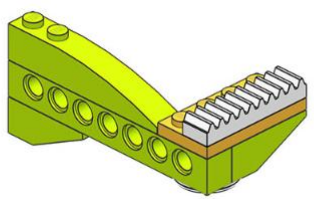


4

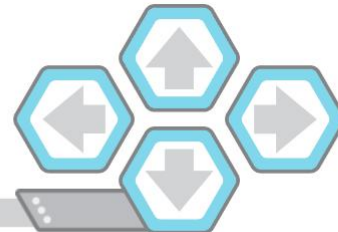
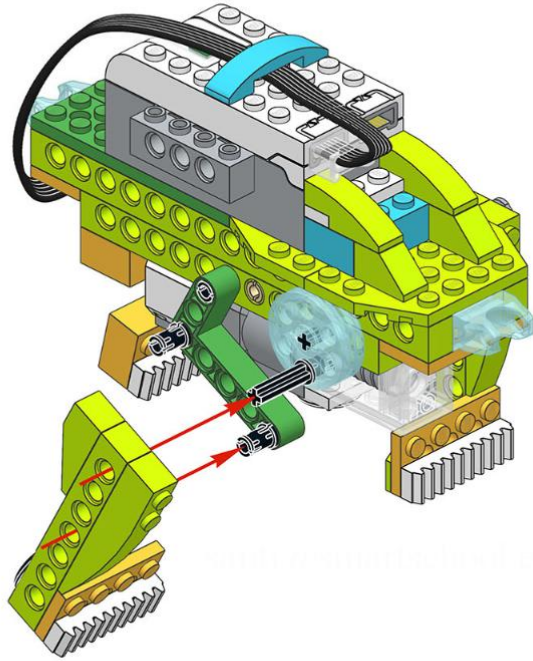
1x  1x 



5

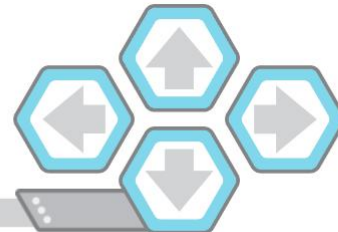
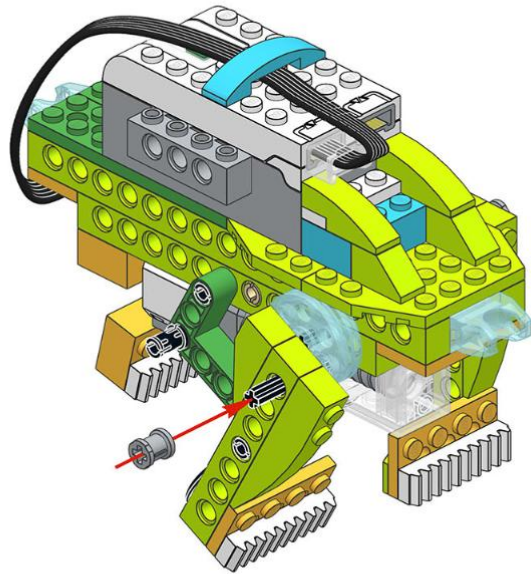


38

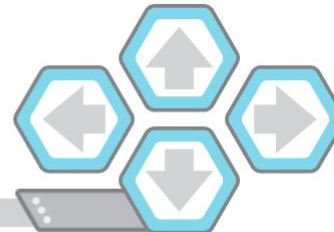
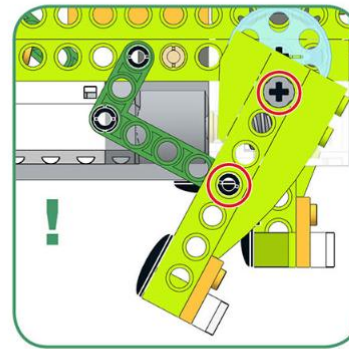
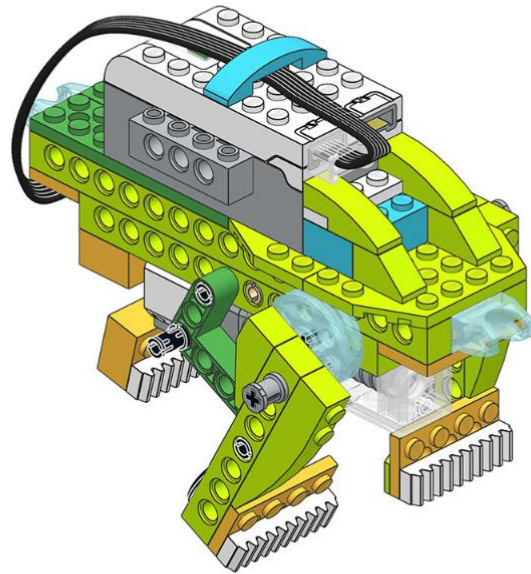




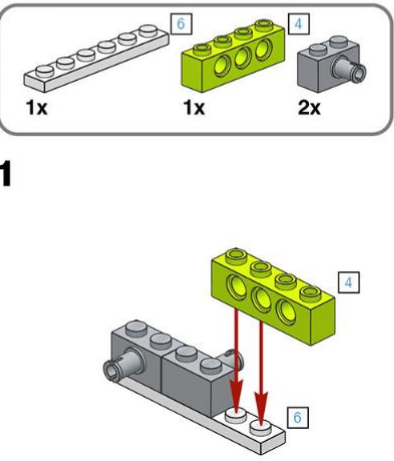
39



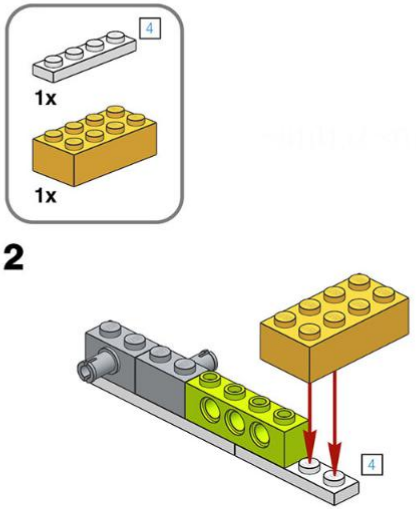
40



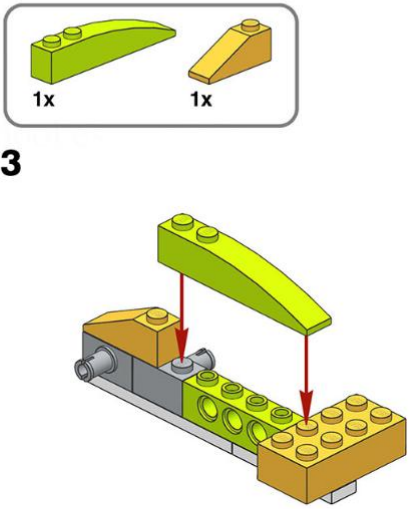
1



2



3

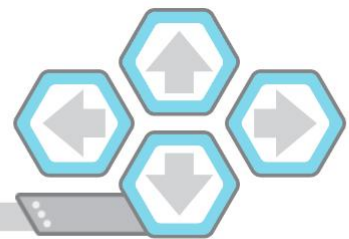


41/56

4



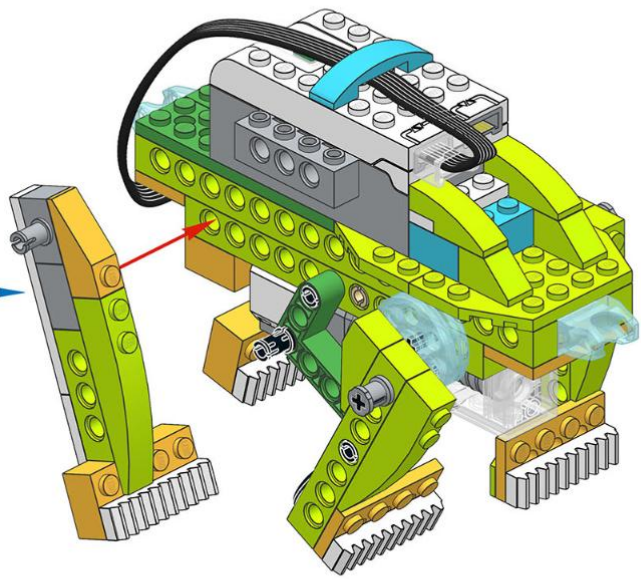
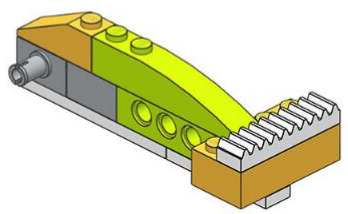
77



LEGO MINDSPRINGS

1x

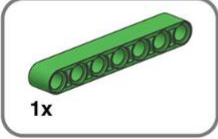
4



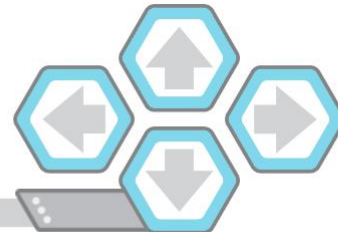
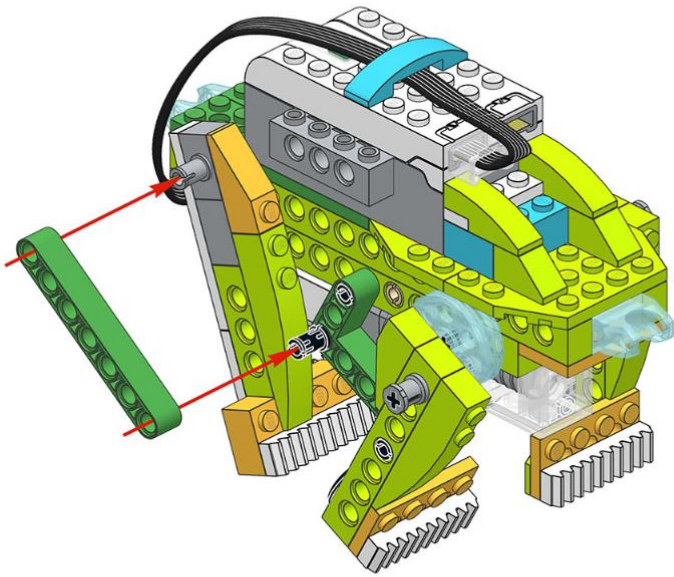
42/56

4

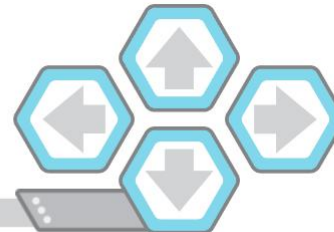
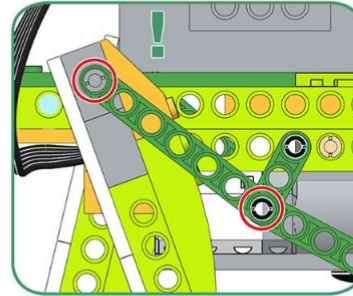
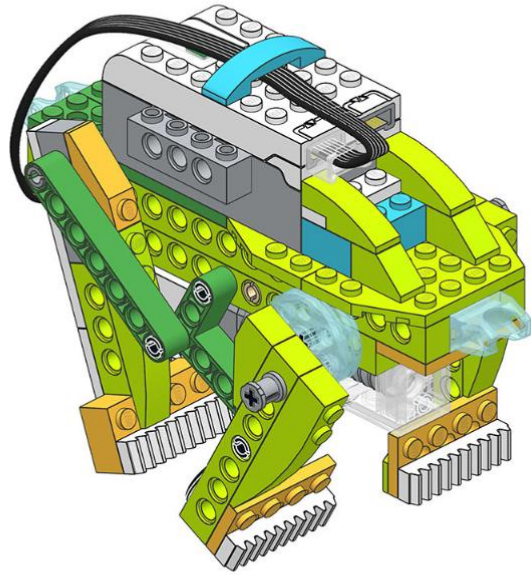
78

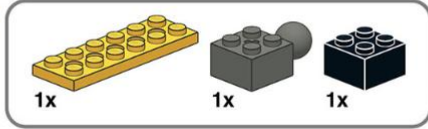
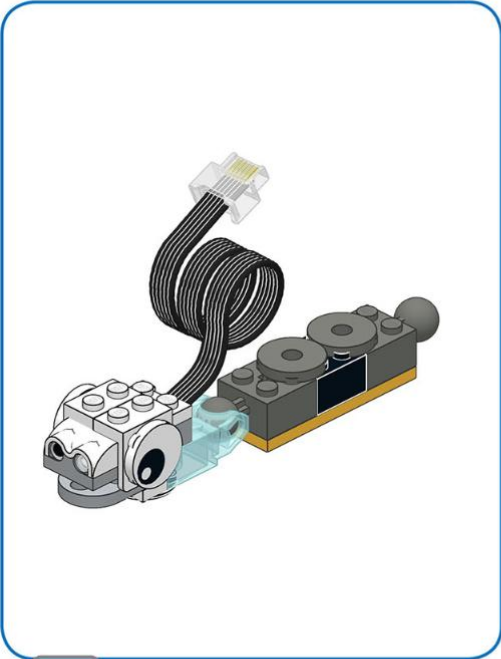


43

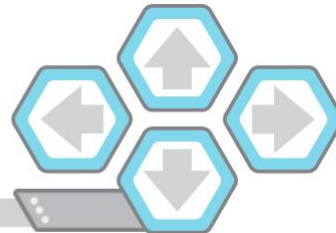
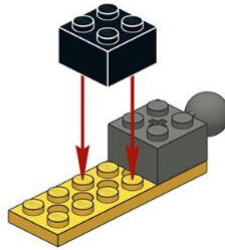


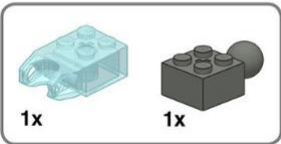
44



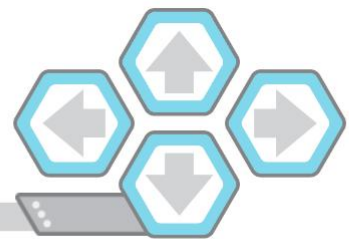
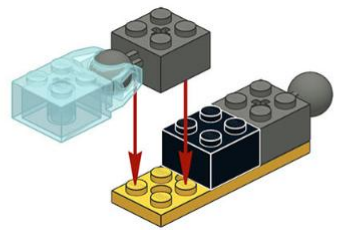


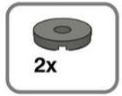
45



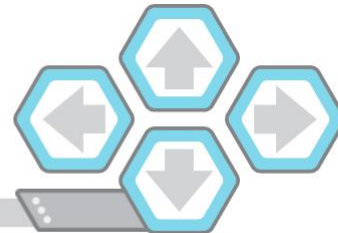
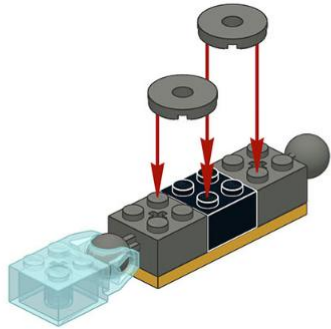


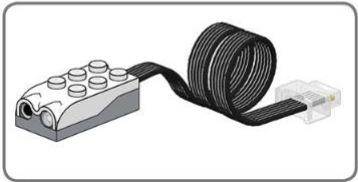
46



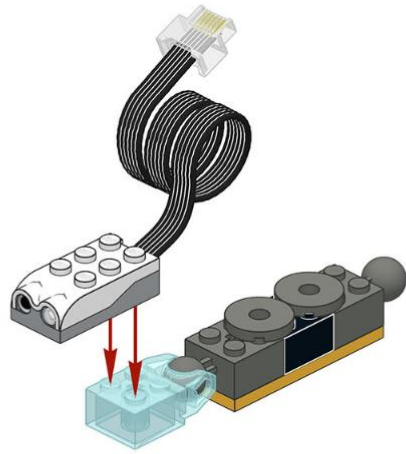


47

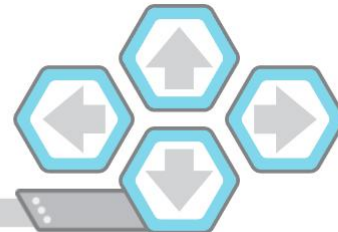




48



smart school



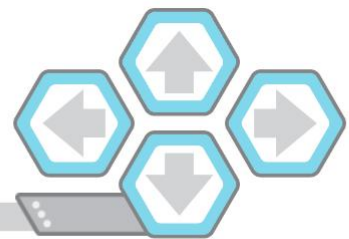
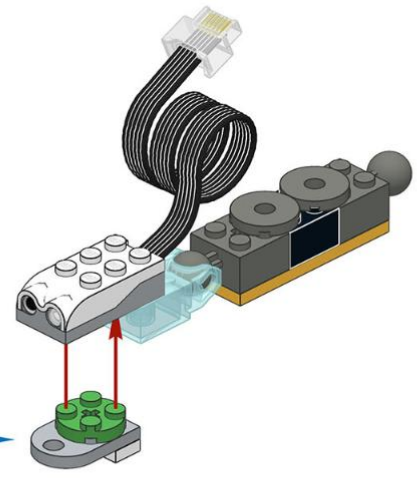
1x 1x

1

1x

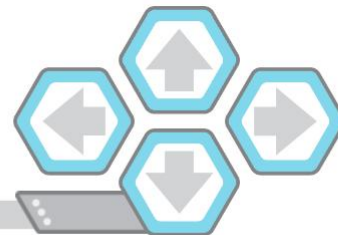
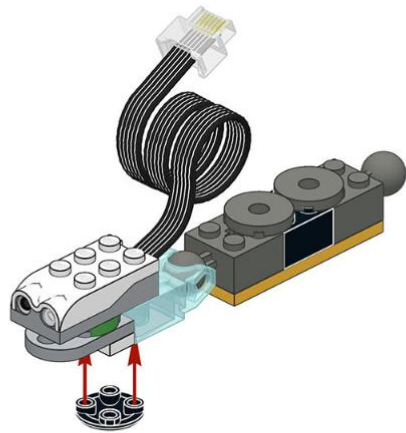
2

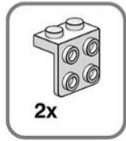
3



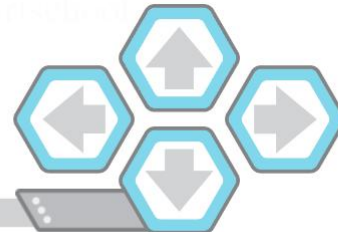
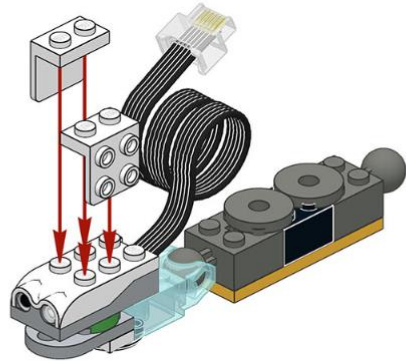


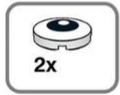
50





51

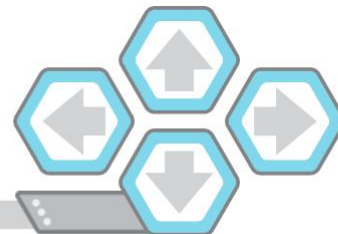




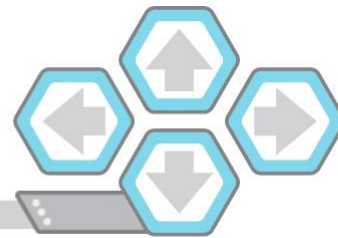
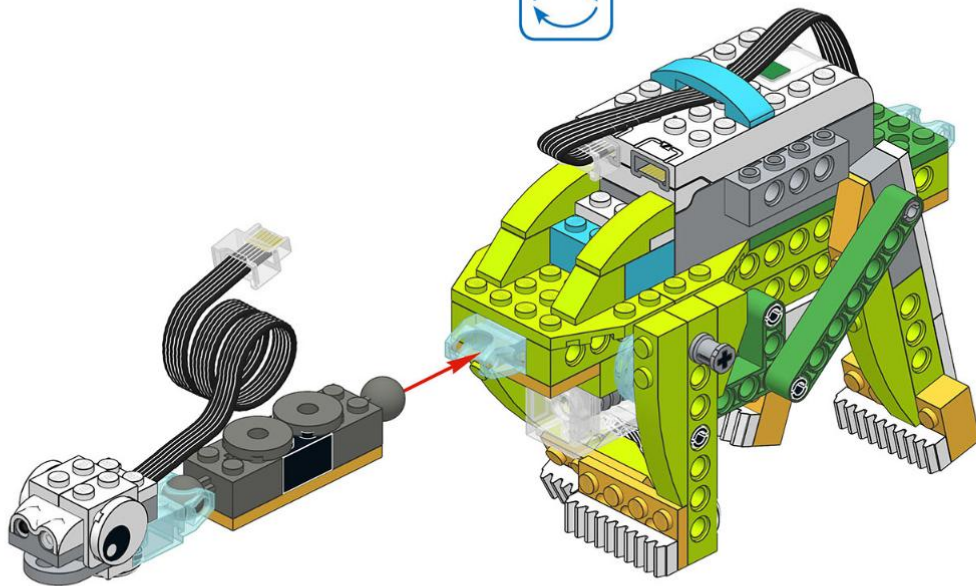
52



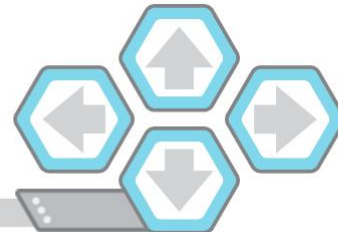
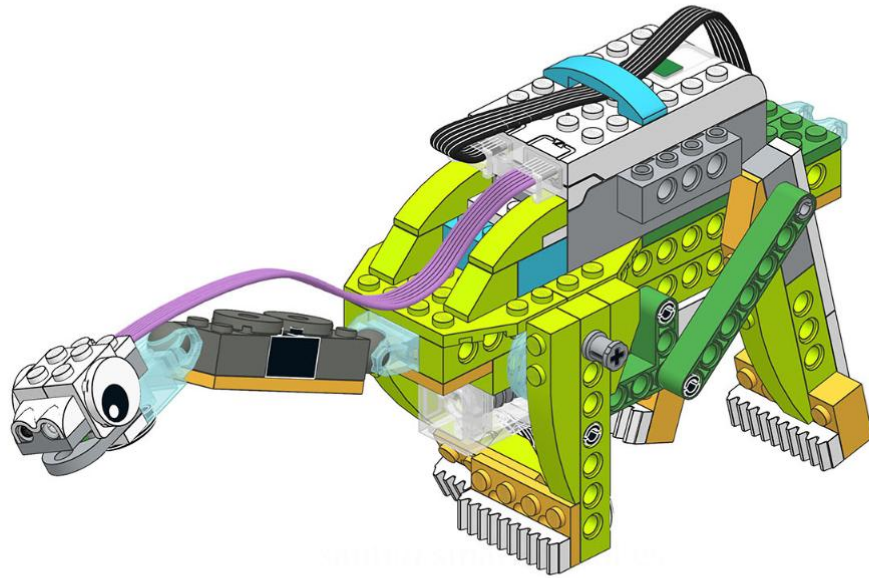
© 2016 SmartSchool.es

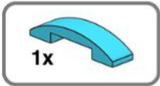


53

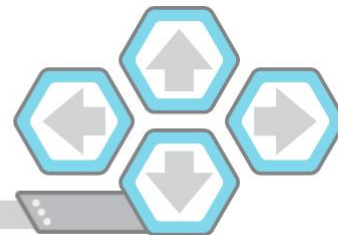
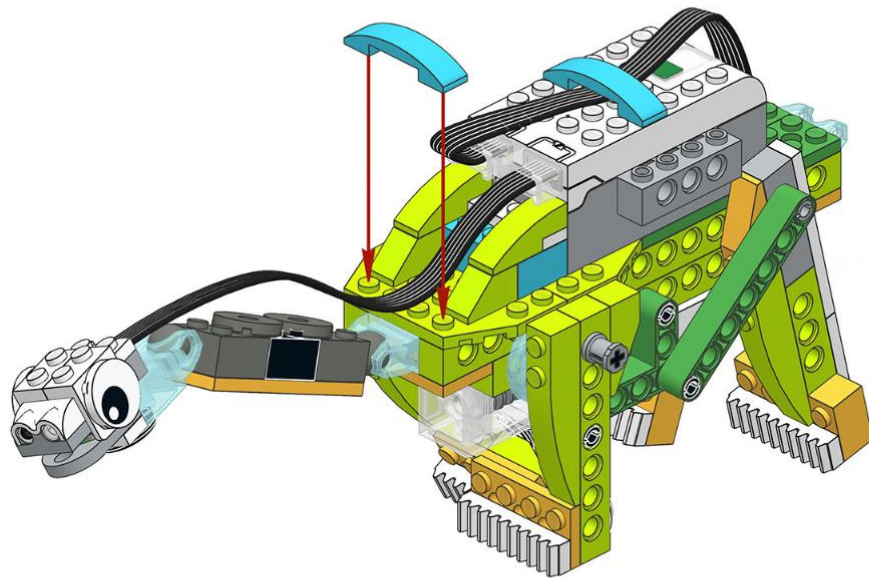


54

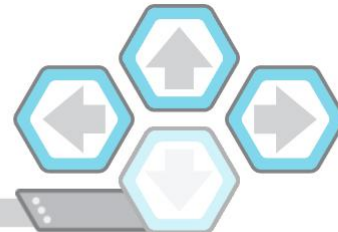
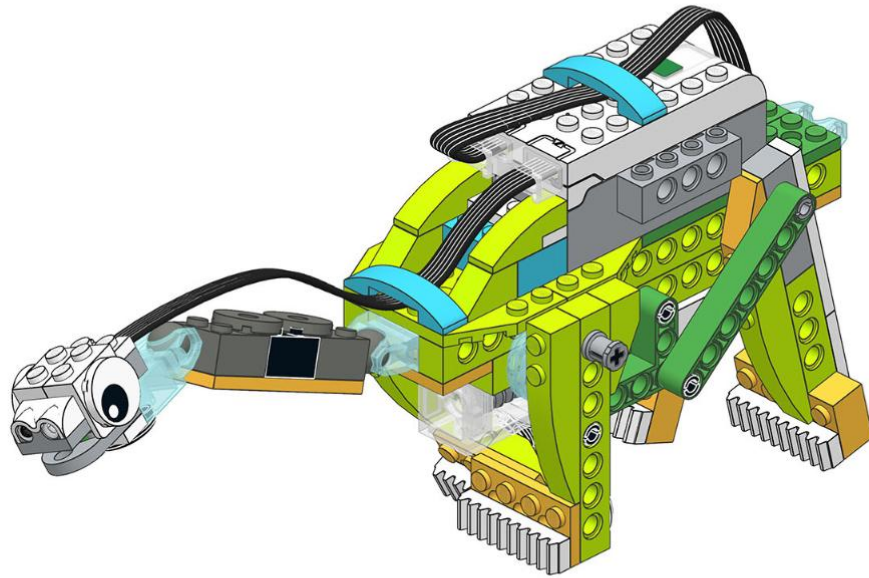




55



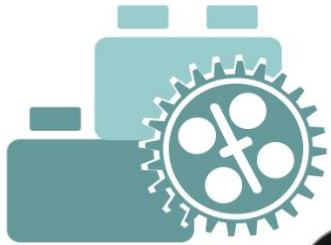
56





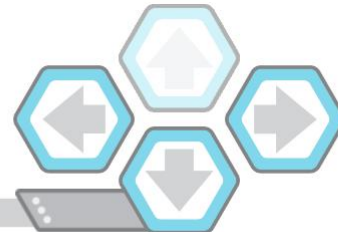
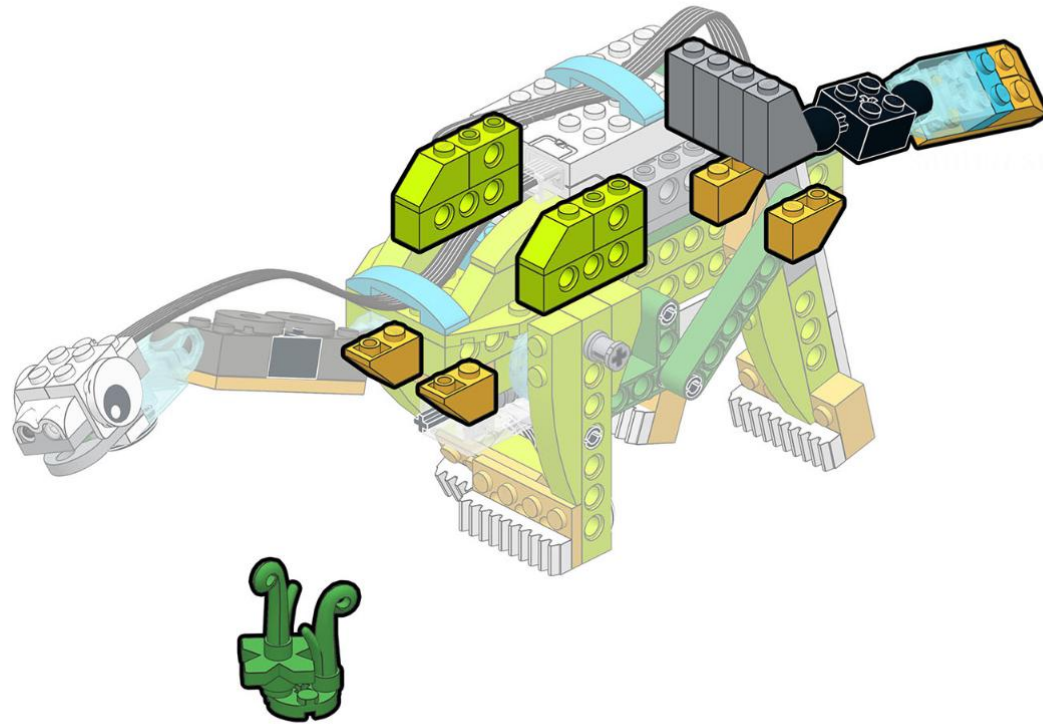
Enhanced version

Build the robot tail and add the decorative elements of the trunk.

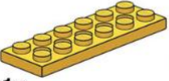



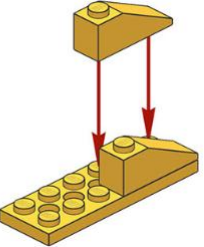
Sauropod






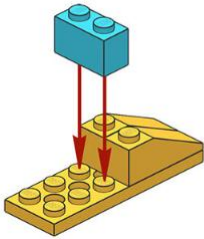
1

1x  2x 





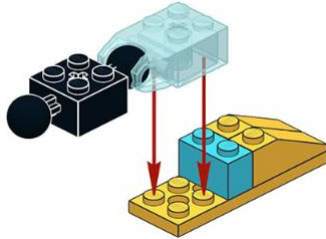
2

1x 



3

1x  1x 

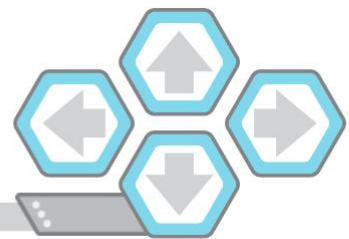


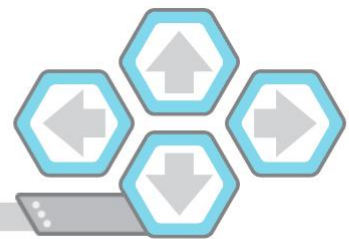
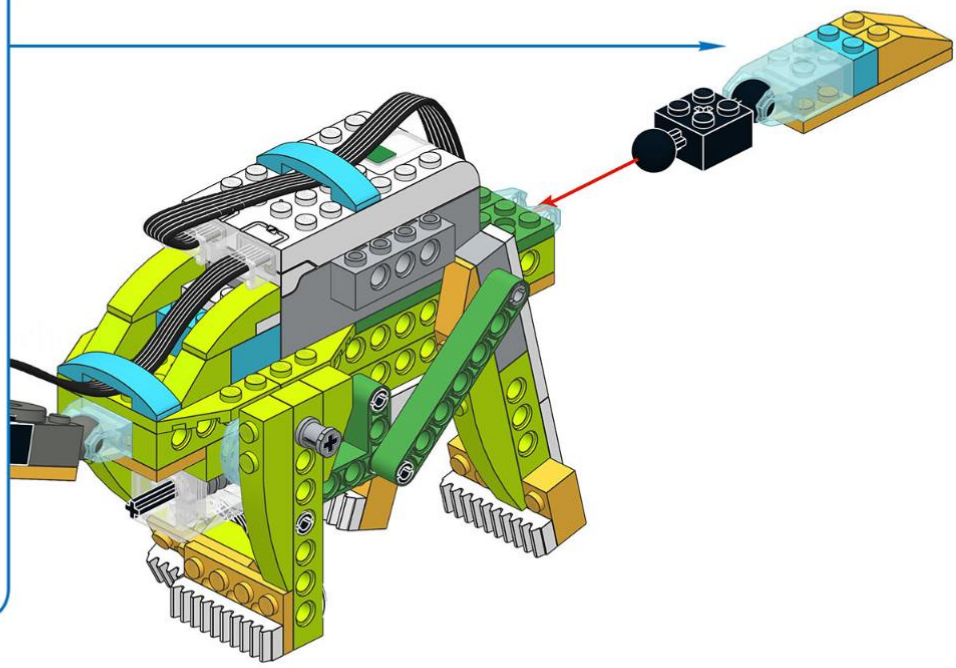
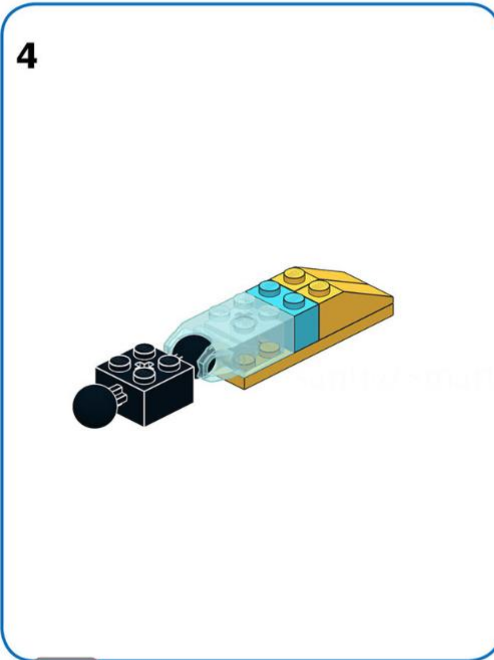
2/12

0

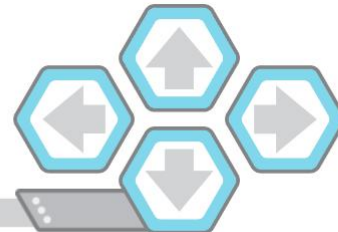
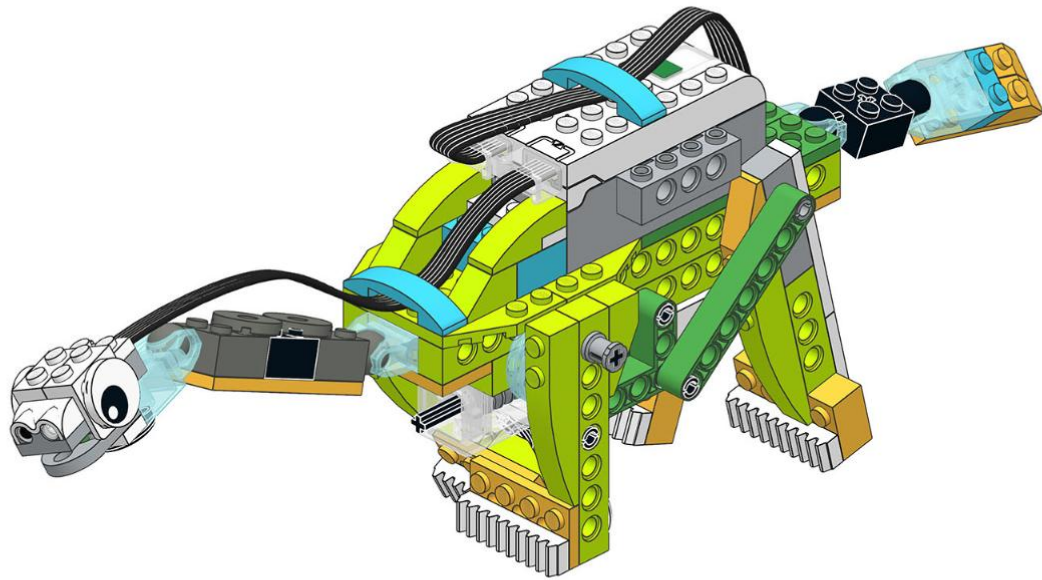


95



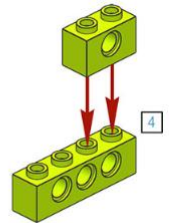


59

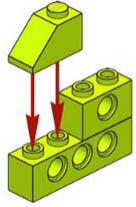


www.smart-schools.co.uk

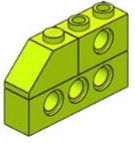
1



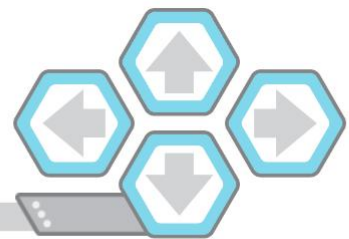
2



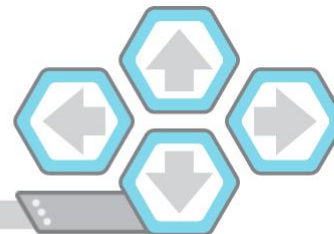
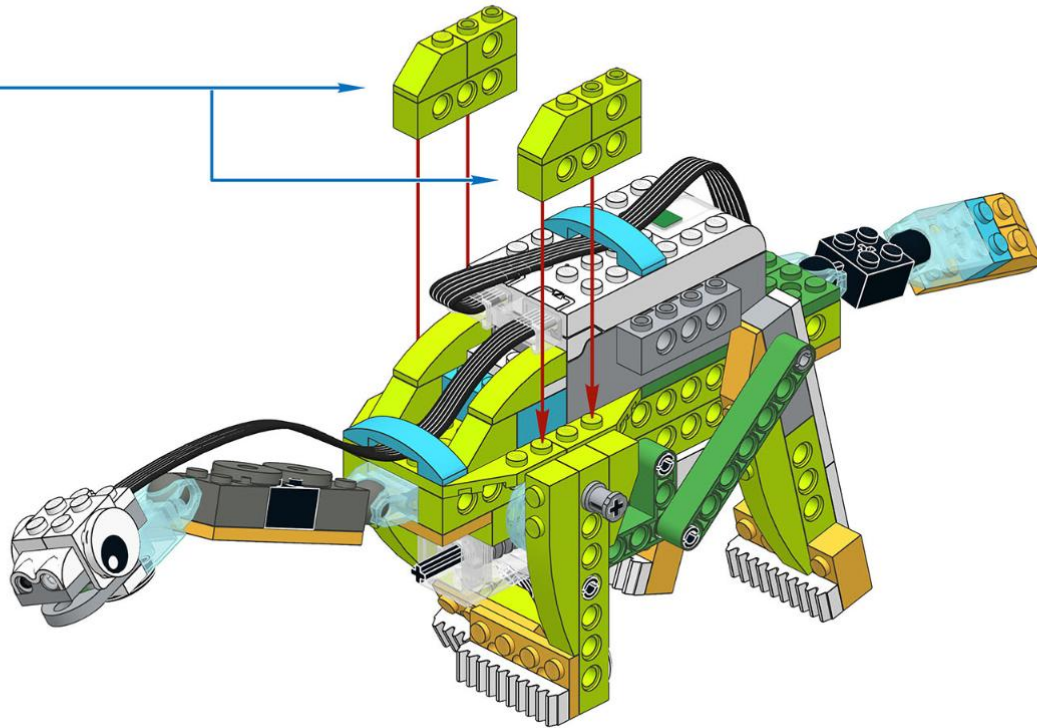
3

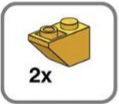


2x

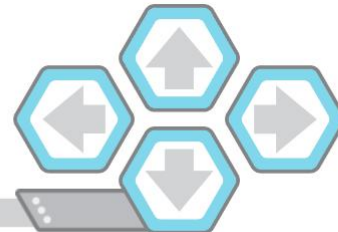
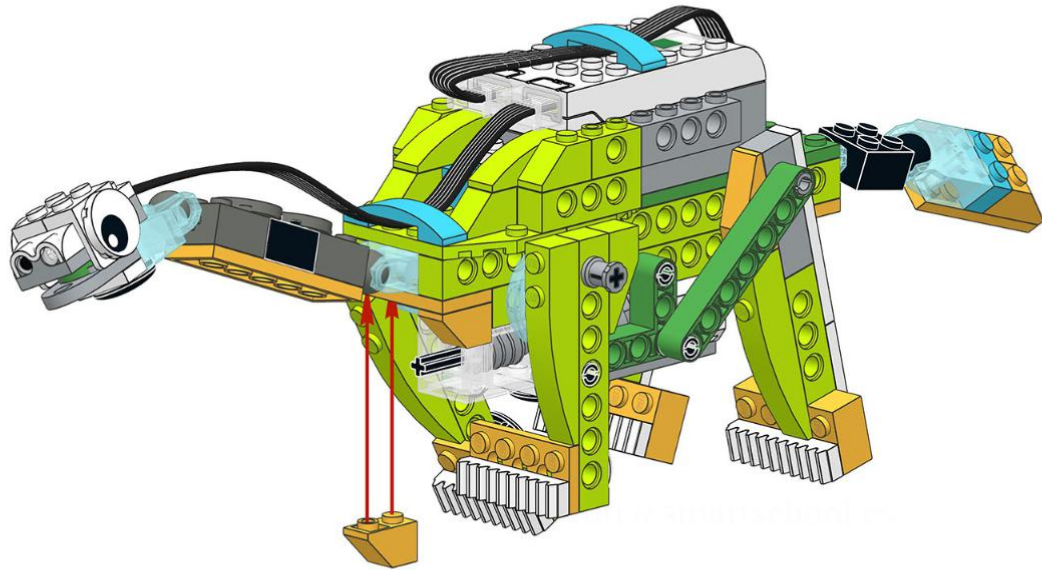


61



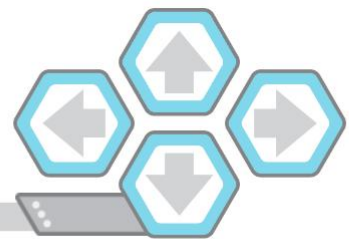
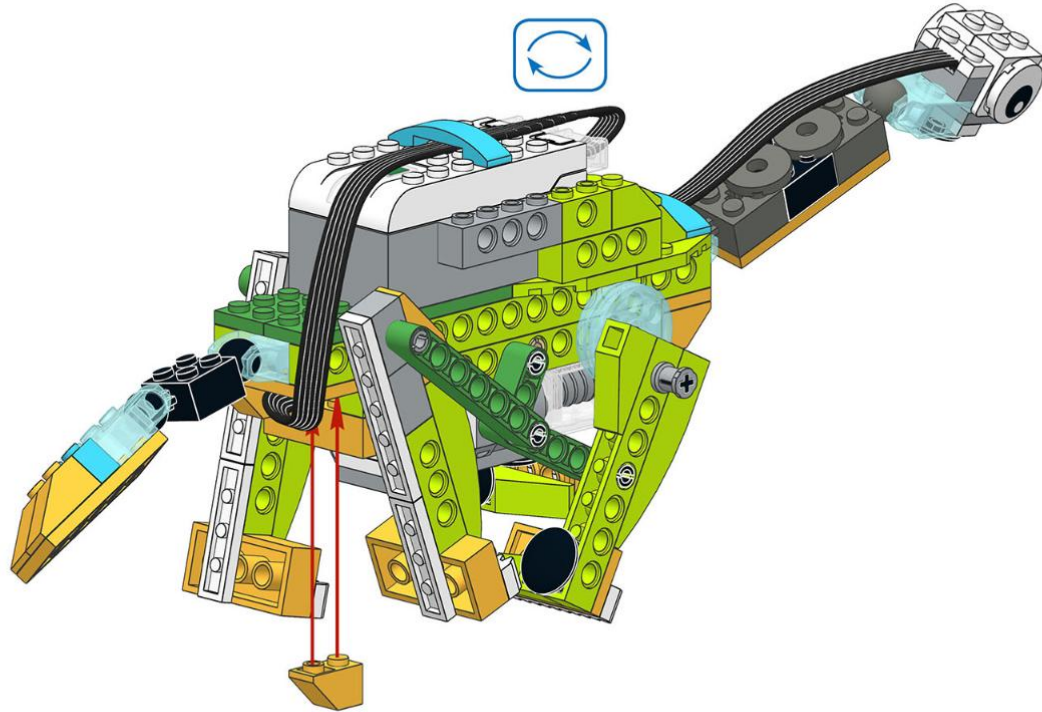


62

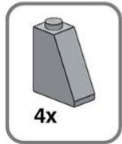




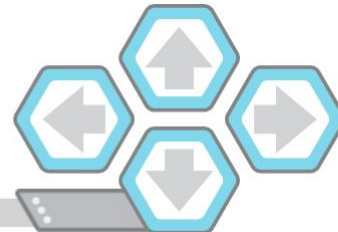
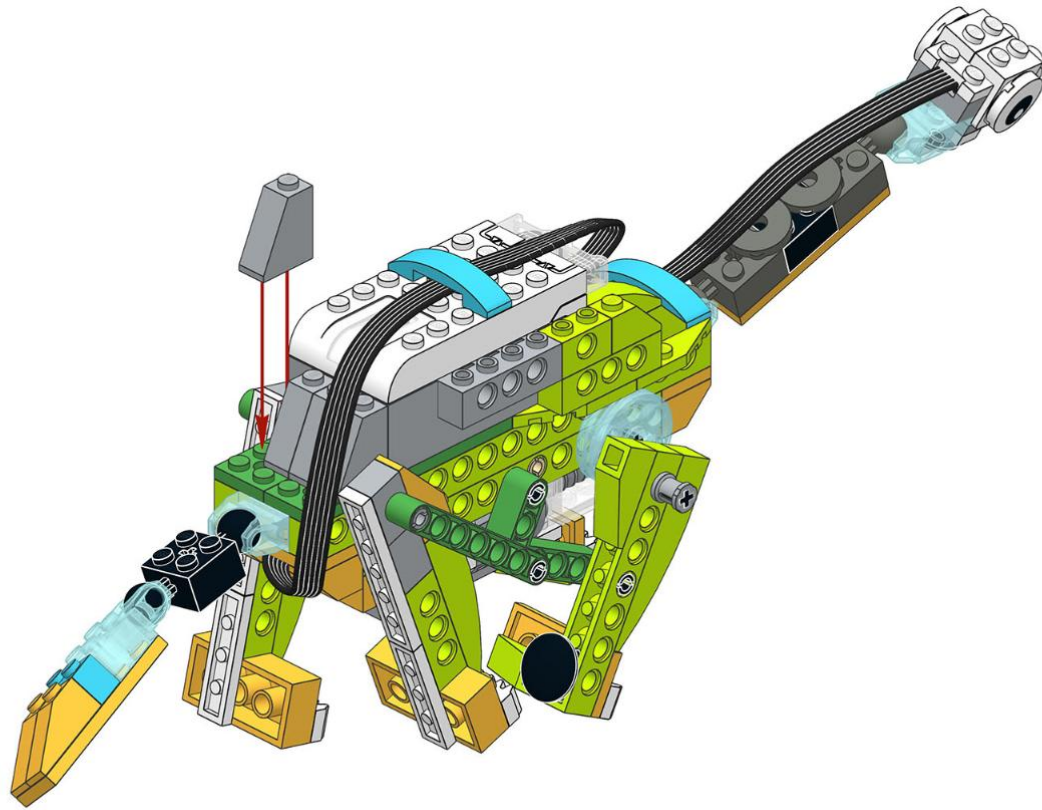
63



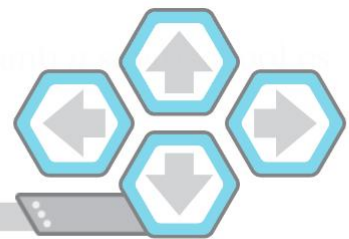
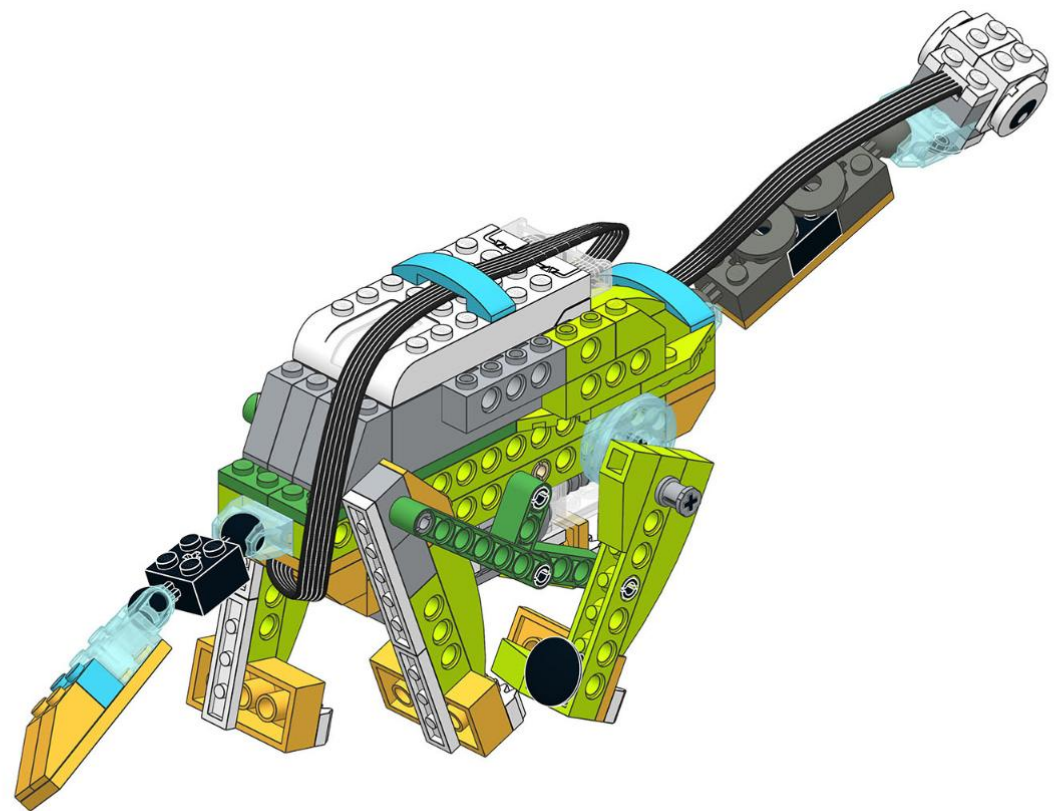
ROBORISE-IT!
ROBOTIC EDUCATION



64

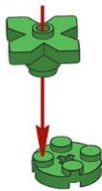


65



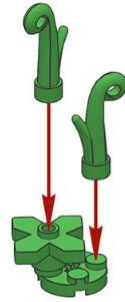
1

1x 1x

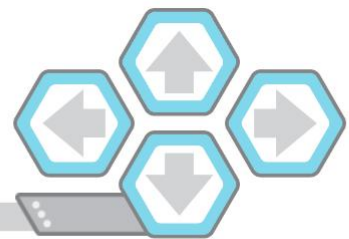



2

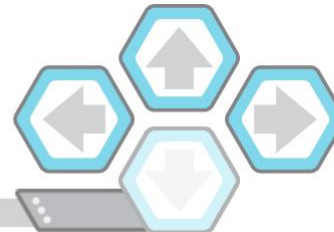
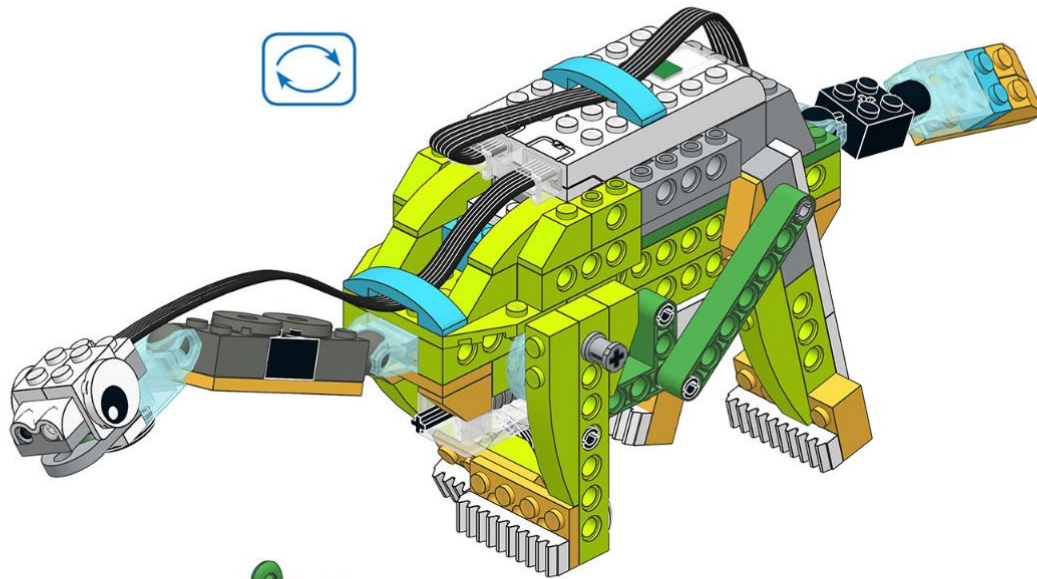
2x



3



67



⚠ Check it out!

Avoid any friction
between the cables
while robot is moving.



106

