

Build the robot!

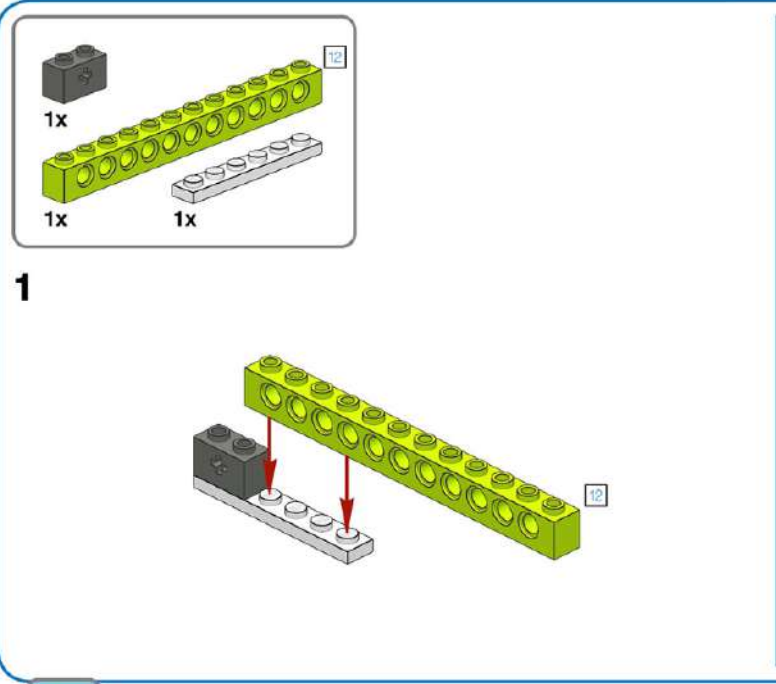


Meganeura

0

25

1



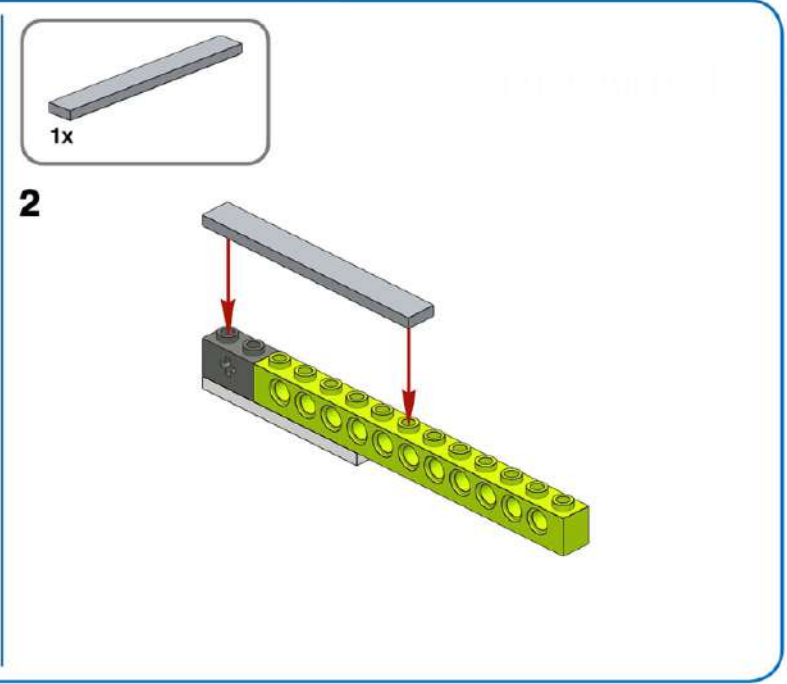
1x 1x 1x

12

12

Diagram 1: A sub-assembly diagram showing a grey 2-hole Technic brick (1x), a yellow 12-hole Technic beam (1x), and a grey 12-hole Technic beam (1x). Red arrows indicate the grey brick being placed on top of the grey beam, and the yellow beam being placed on top of the grey brick. A small box with the number '12' is next to the yellow beam. The main assembly diagram shows the grey brick on the grey beam, and the yellow beam being inserted into the top holes of the grey brick. Red arrows point to the insertion points. A small box with the number '12' is next to the yellow beam.

2



1x

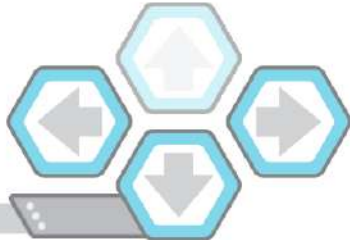
Diagram 2: A sub-assembly diagram showing a grey 12-hole Technic beam (1x) being inserted into the top holes of the yellow beam. Red arrows point to the insertion points. A small box with the number '1x' is next to the grey beam.

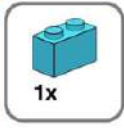
1/68

0

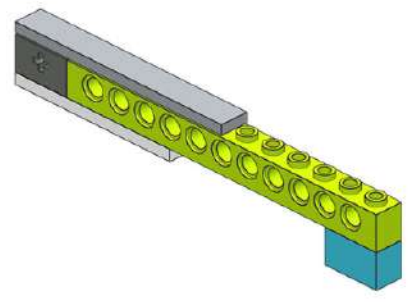


26

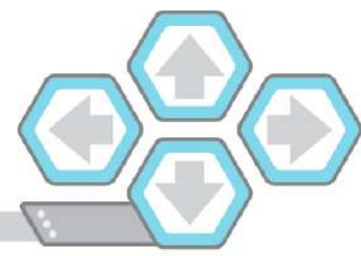


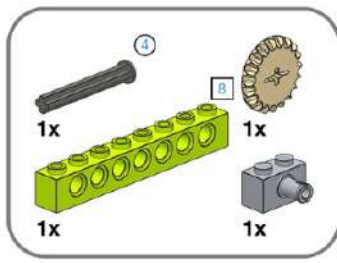


3

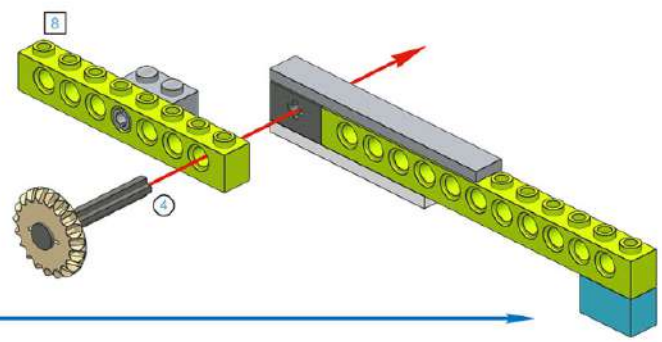


2x





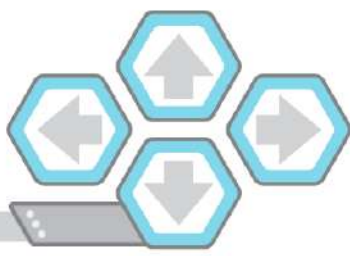
3

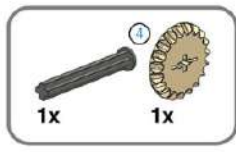


3/68

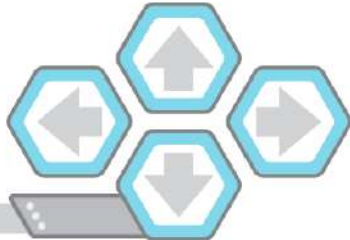
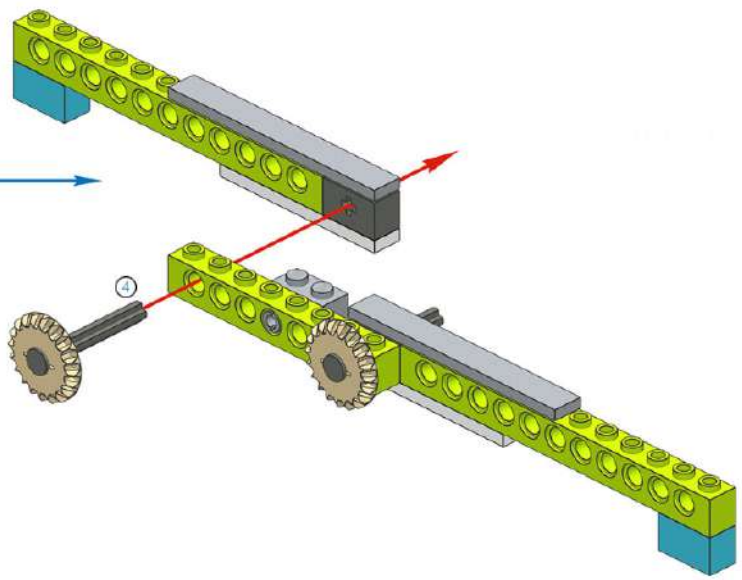
0

28



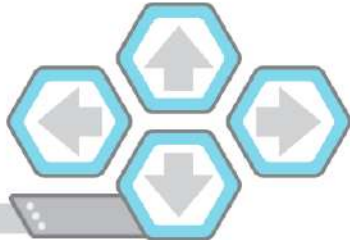
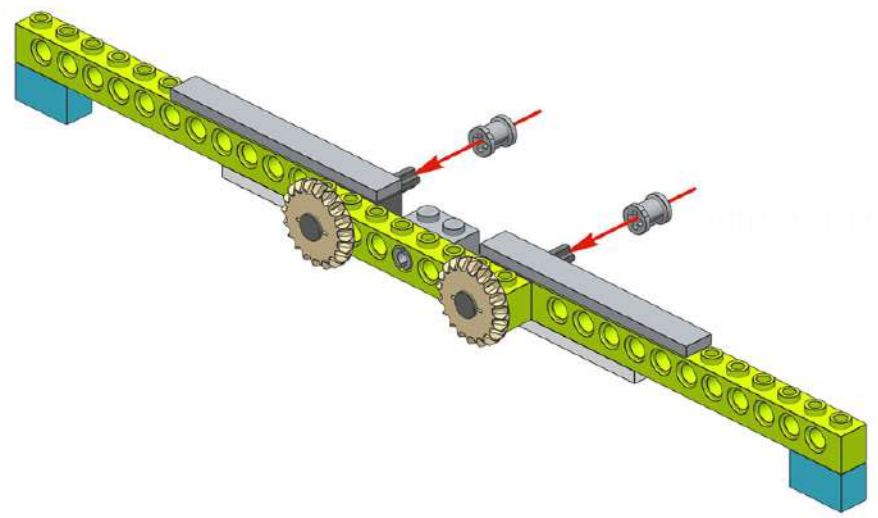


4

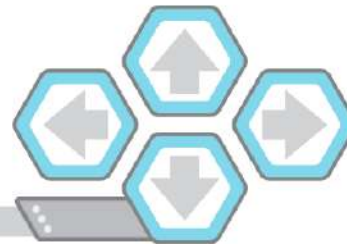
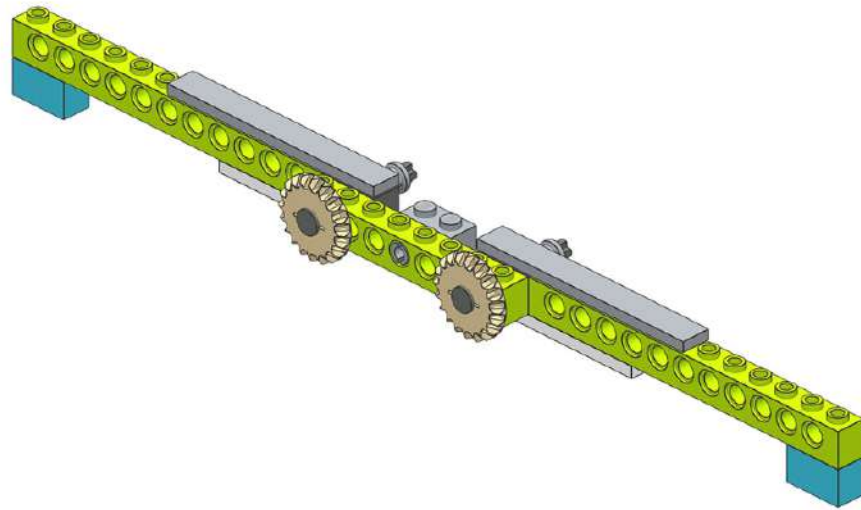


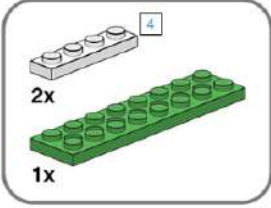
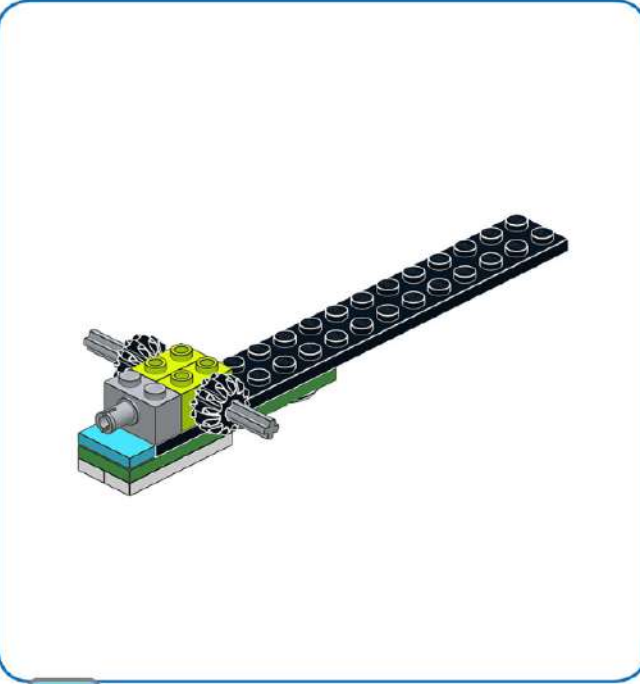


5

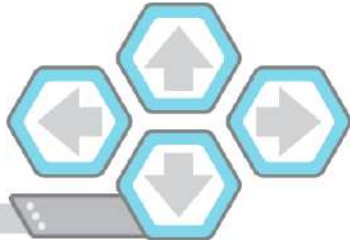
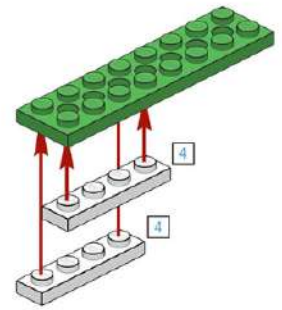


6





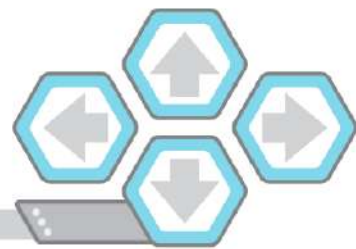
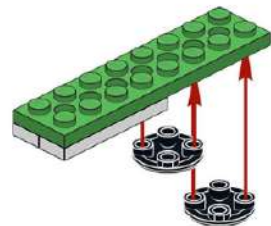
7



Sub-assembly 1

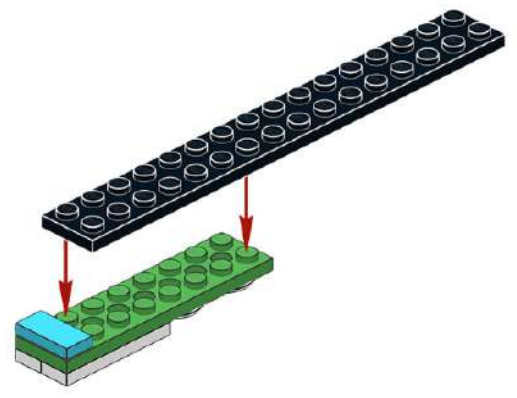


8





9

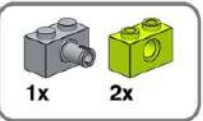


9/68

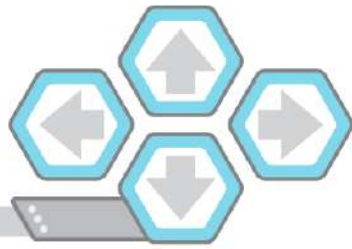
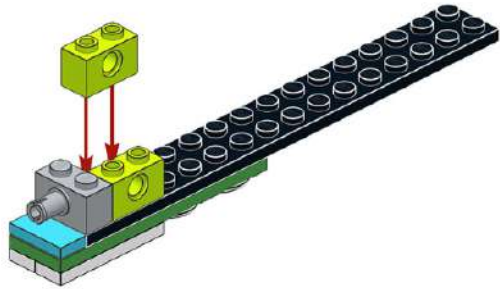
0

34

STEP 10

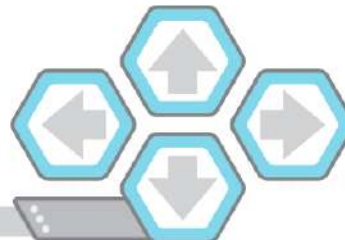
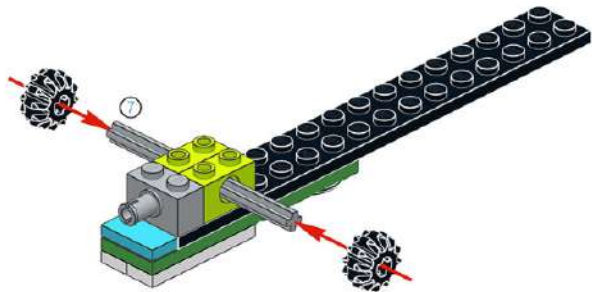


10

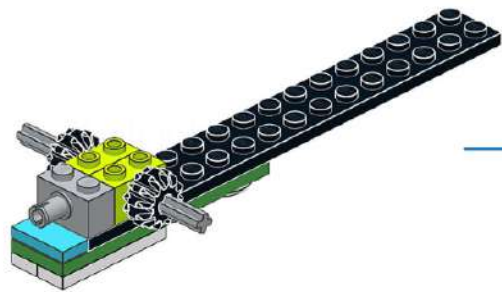




11



12

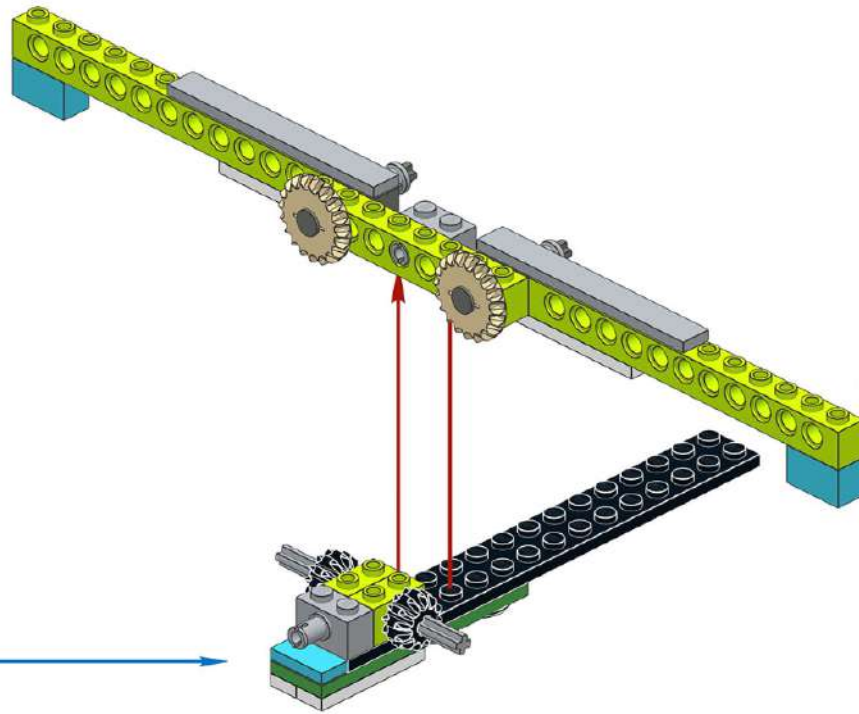


12/68

0

37

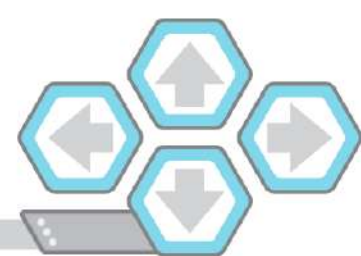
13



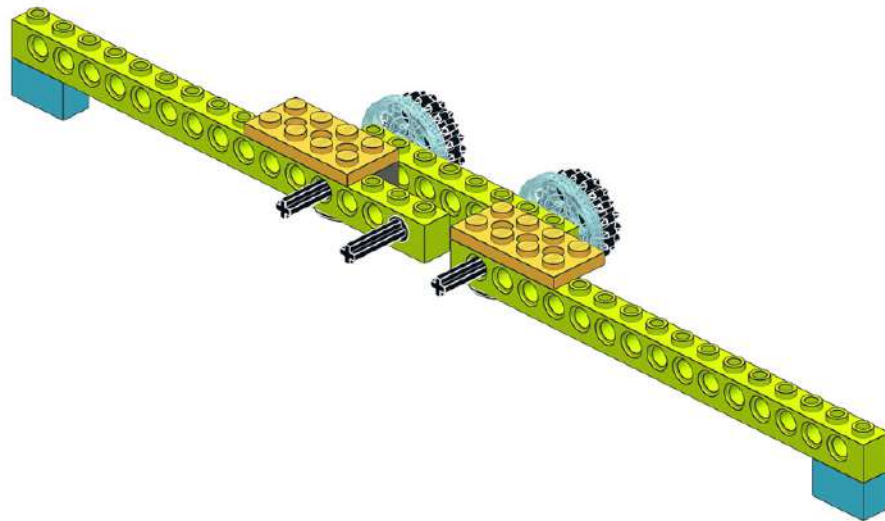
13/68

0

38



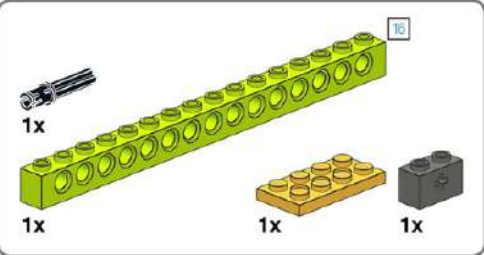
LEGO MINDSPRINGER



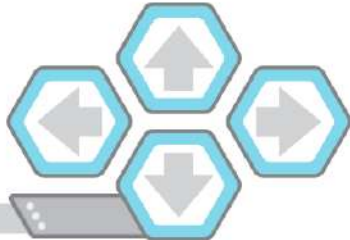
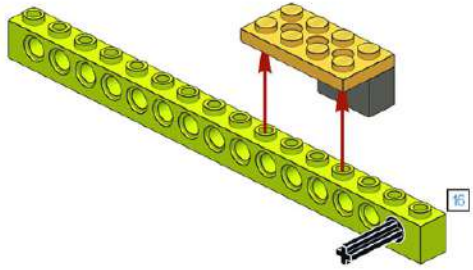
15/68

0

40

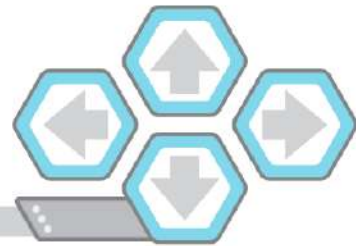
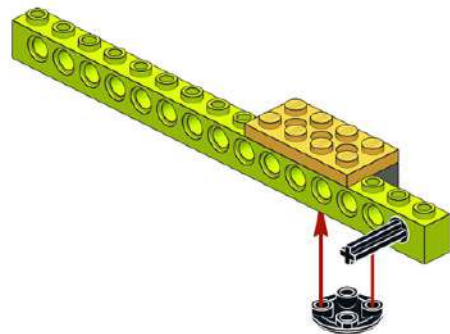


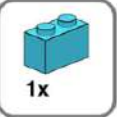
16



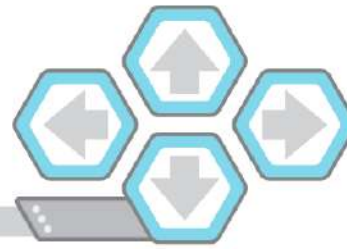
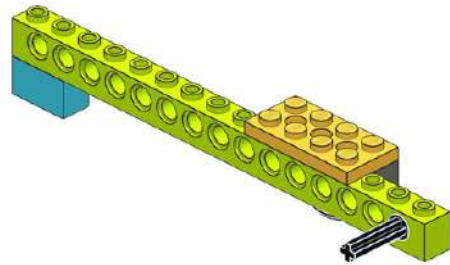


17

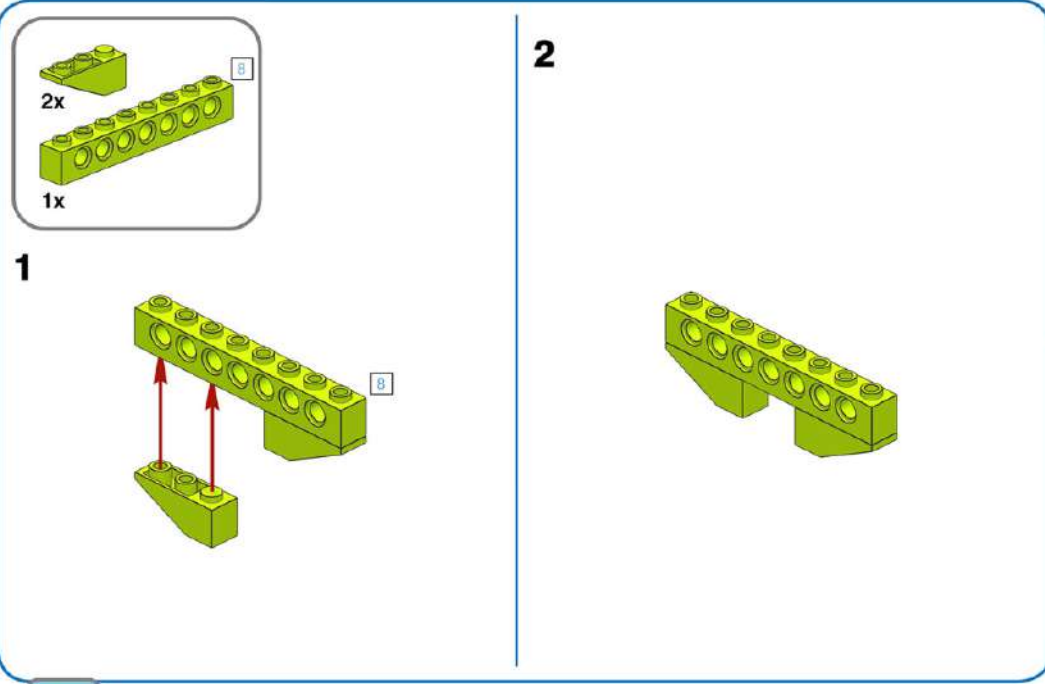




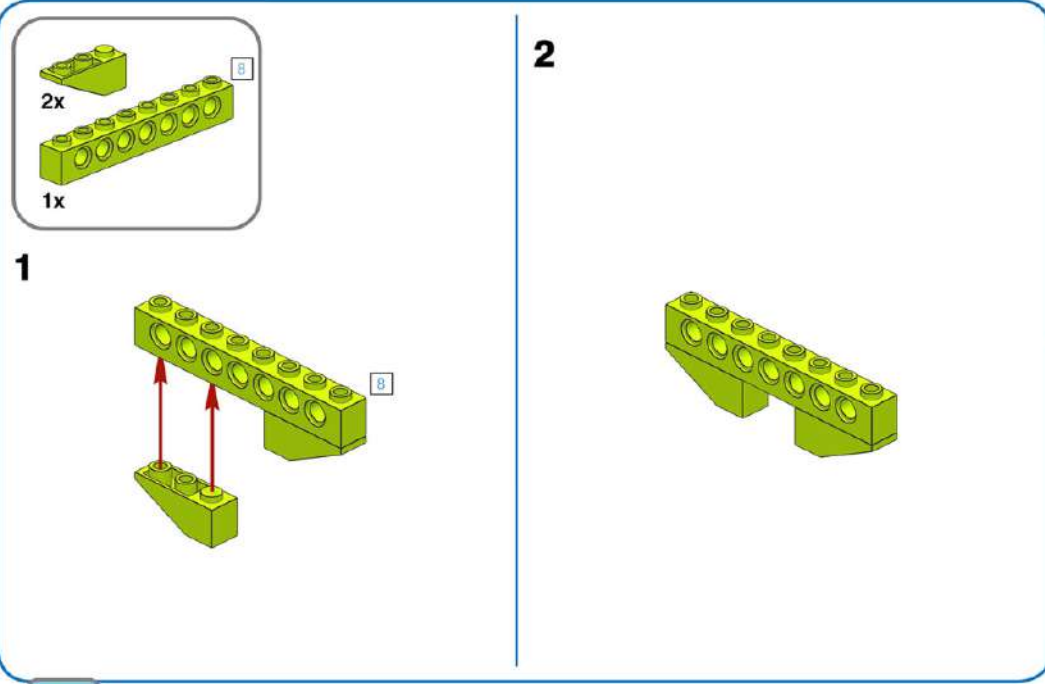
18



1



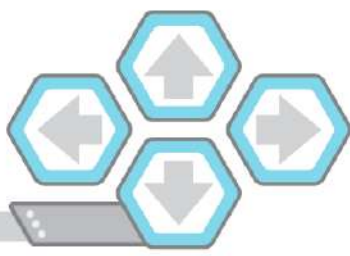
2



19/68

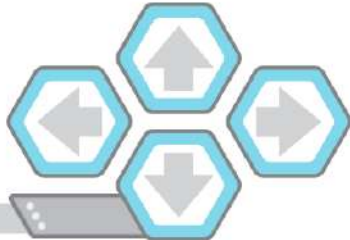
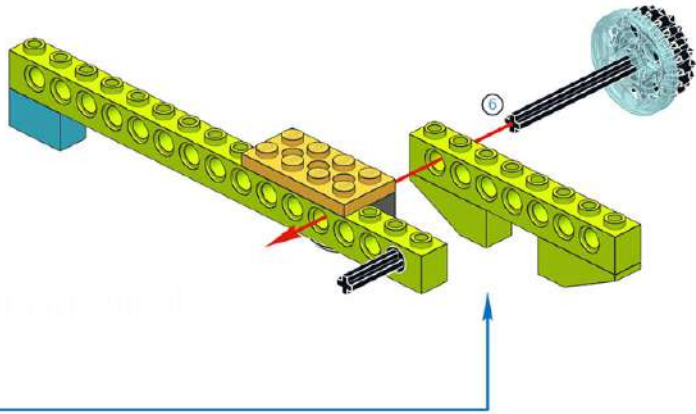
0

44

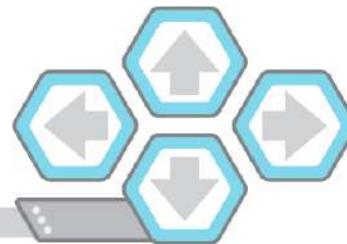
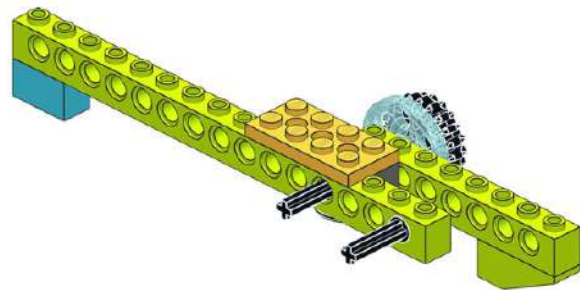


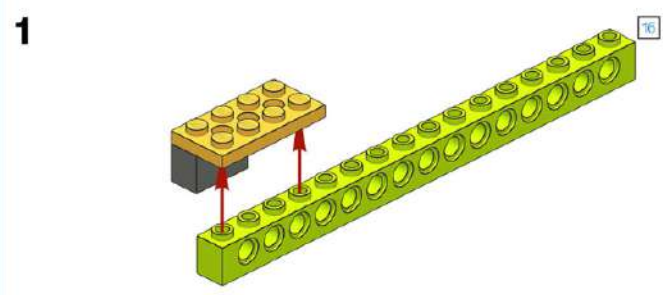
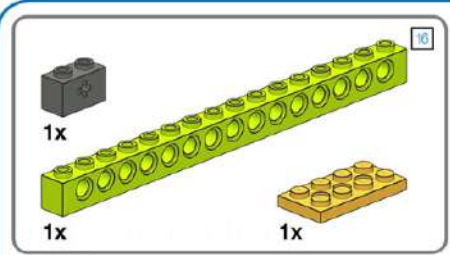


20

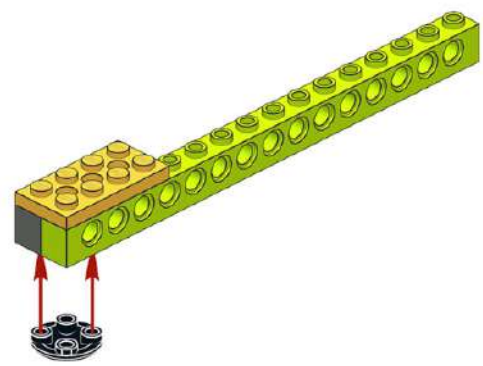


21





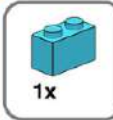
2



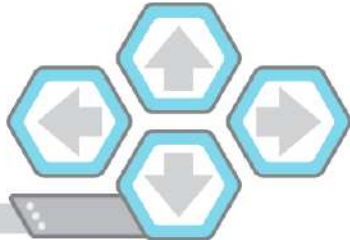
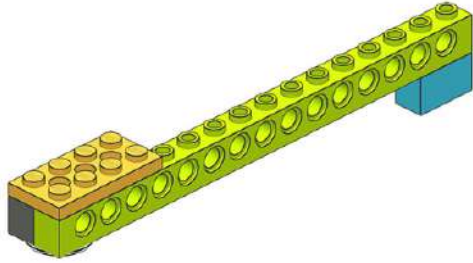
22/68

0

47

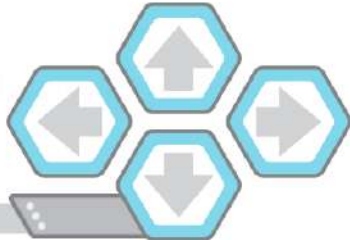
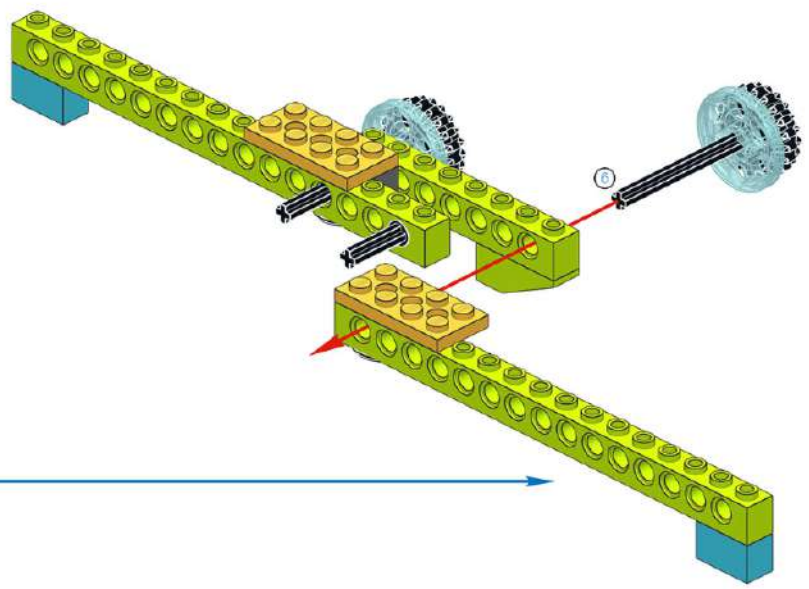


3

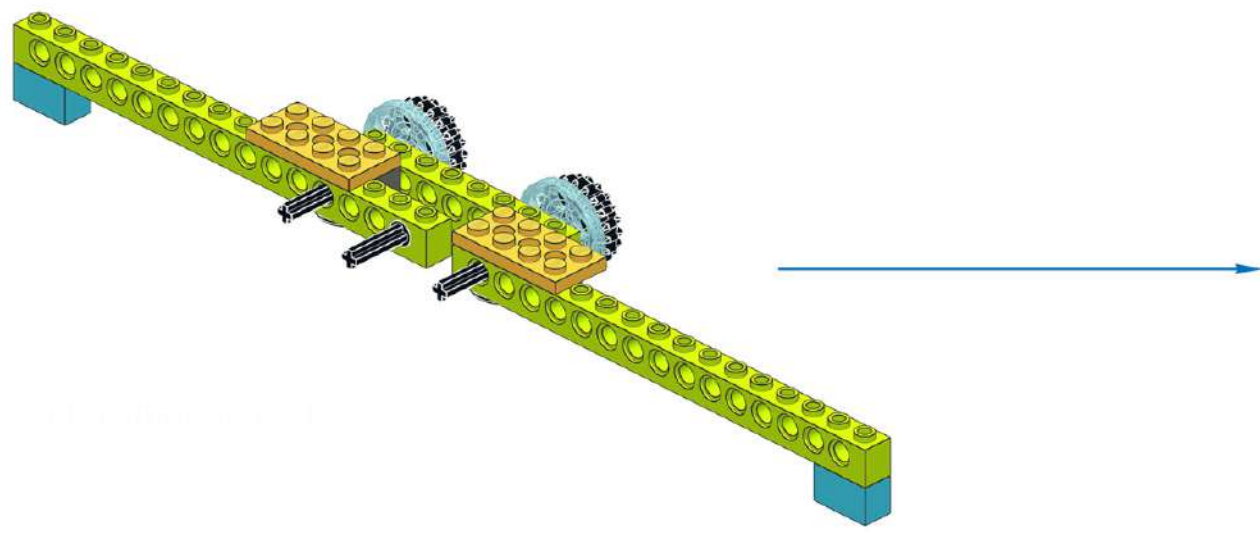




24



25

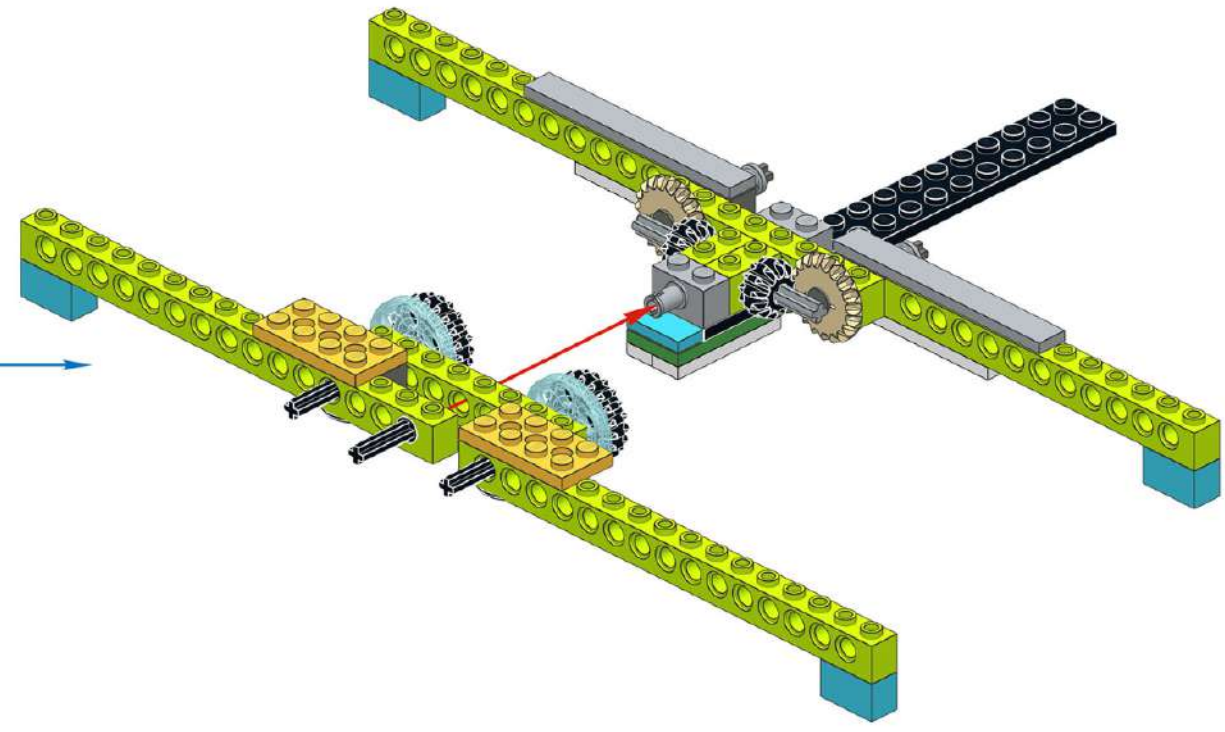


25/68

0

50

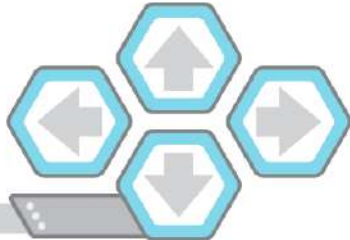
26



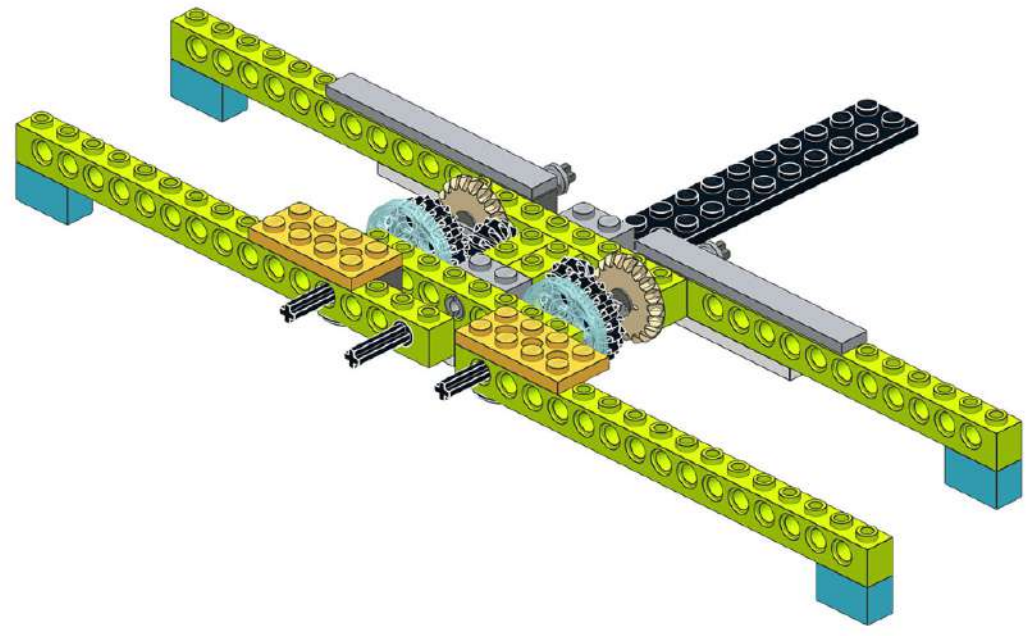
26/68

0

51



27

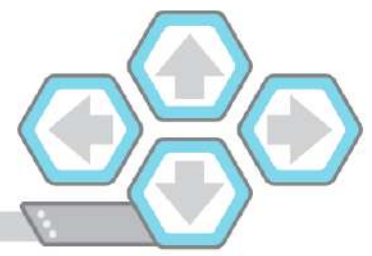


27/68

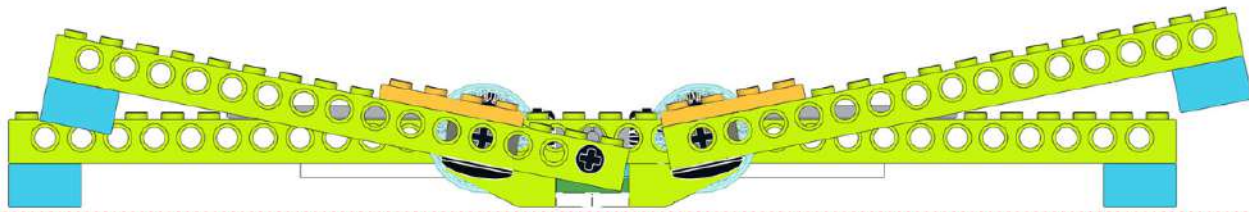
0



52



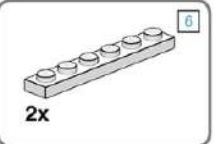
How to connect



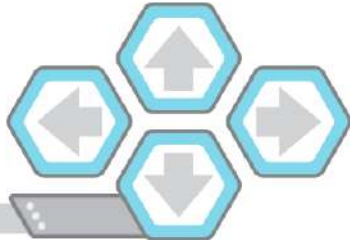
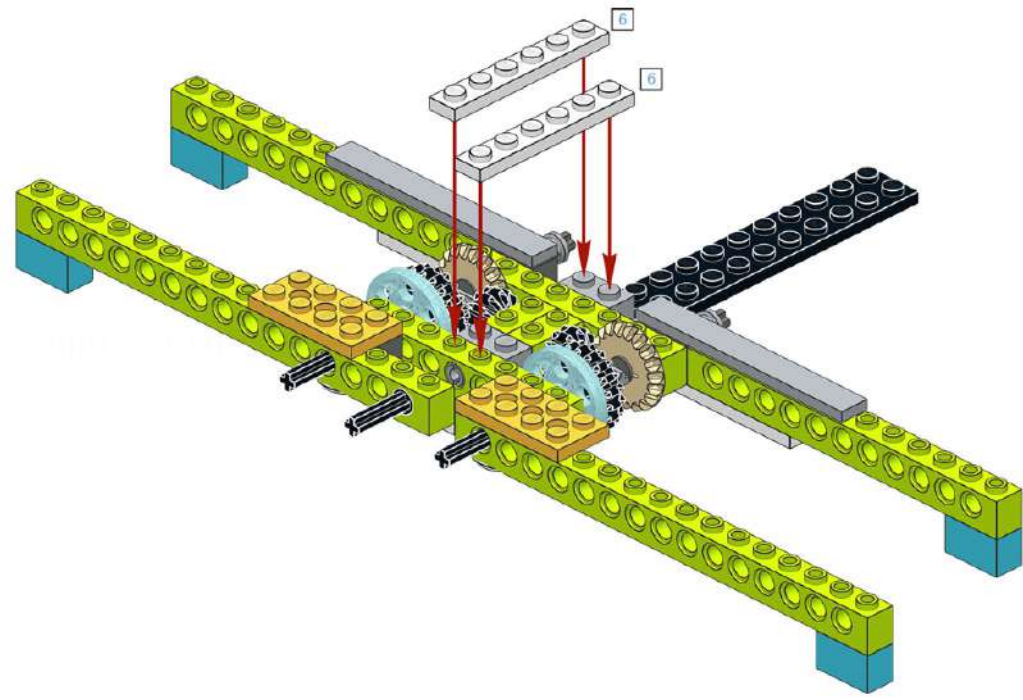
28/68

0

53



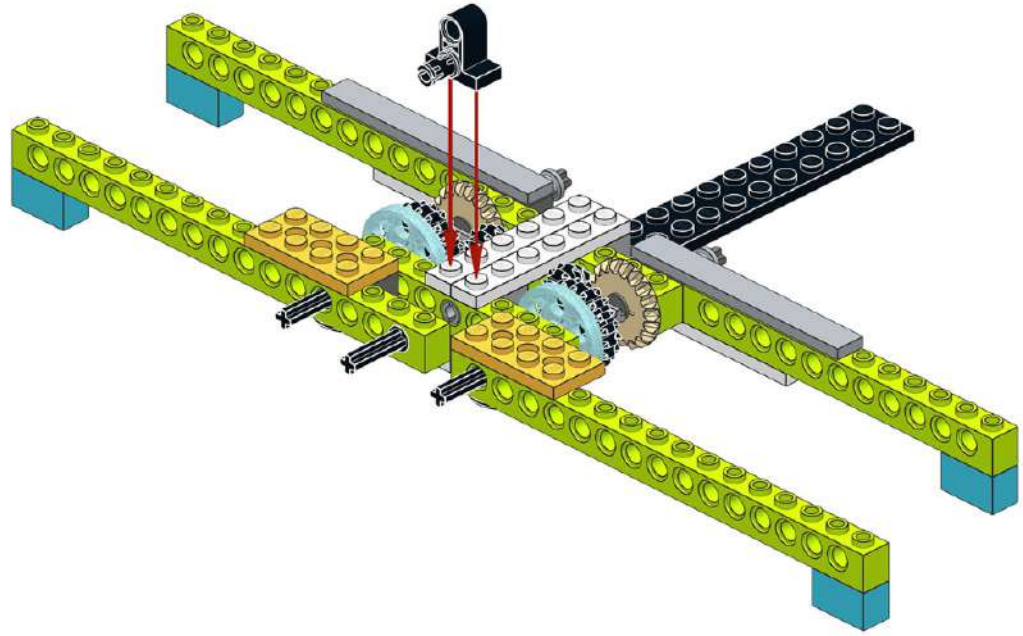
29



1x 1x

1

2

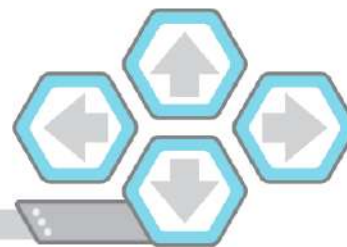
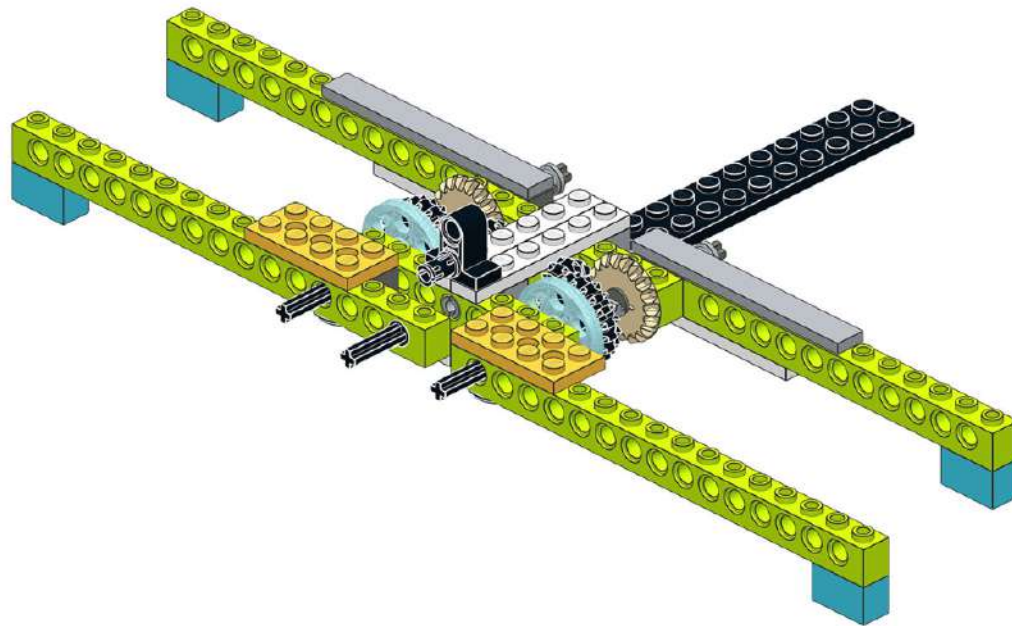


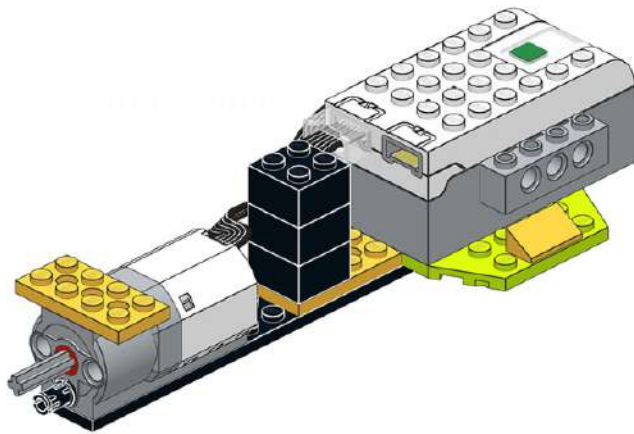
31/68

0

56

31



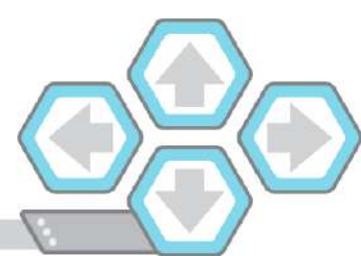


33/68

0



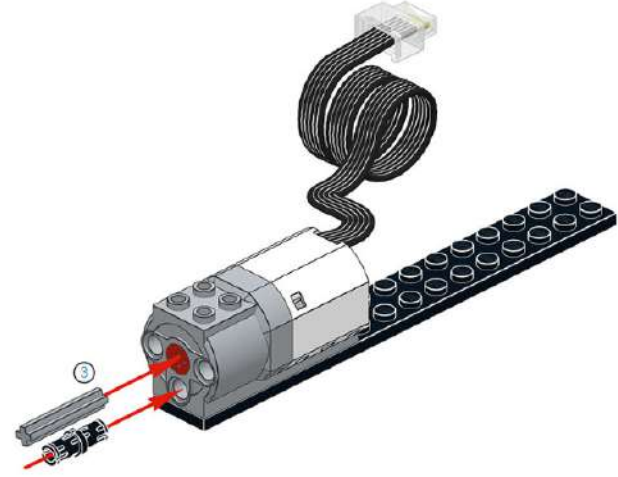
58



Assembly Step 33



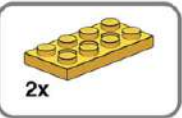
33



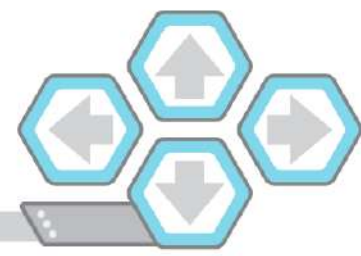
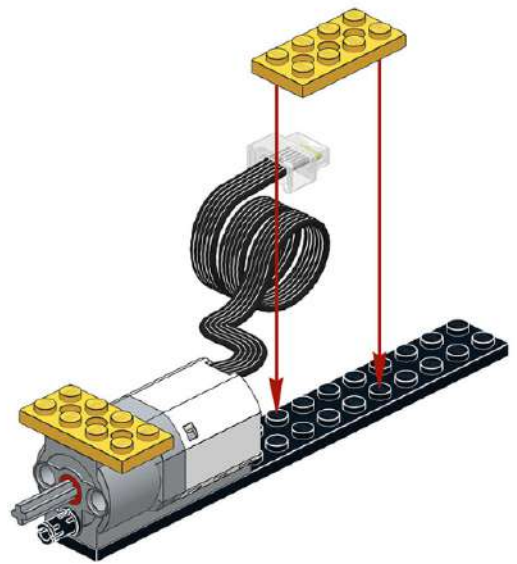
34/68

0

59

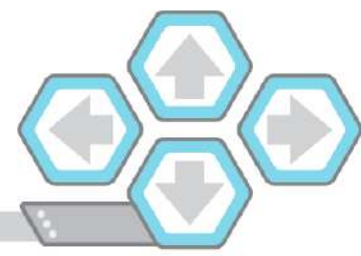
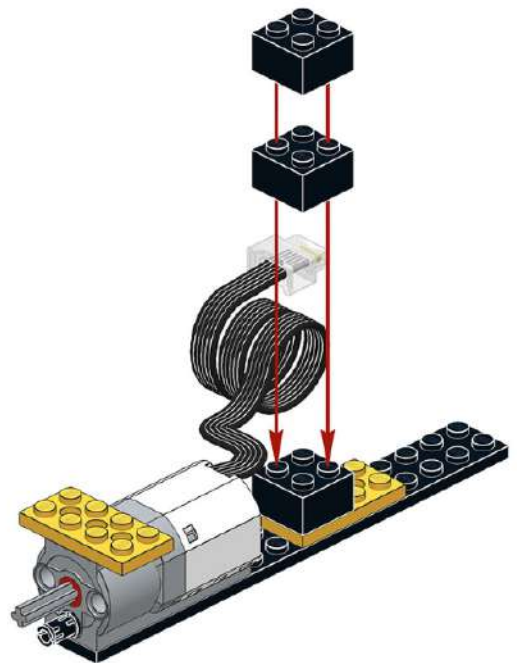


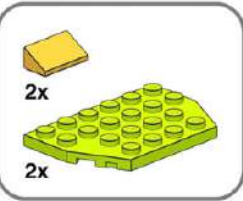
34



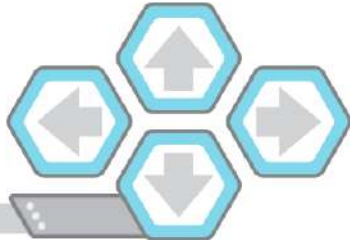
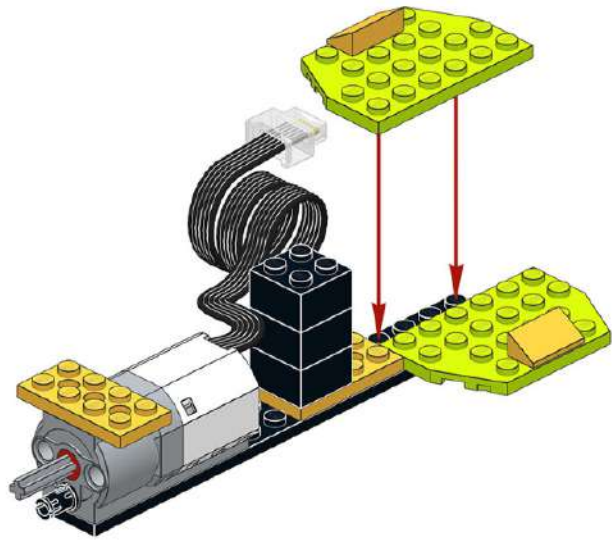


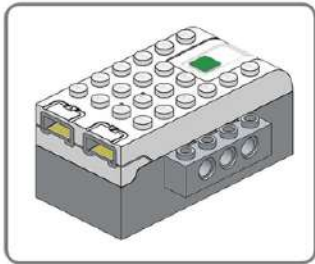
35



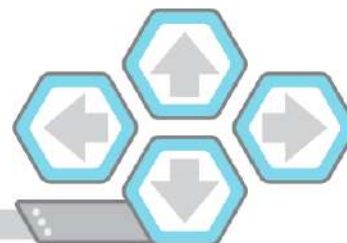
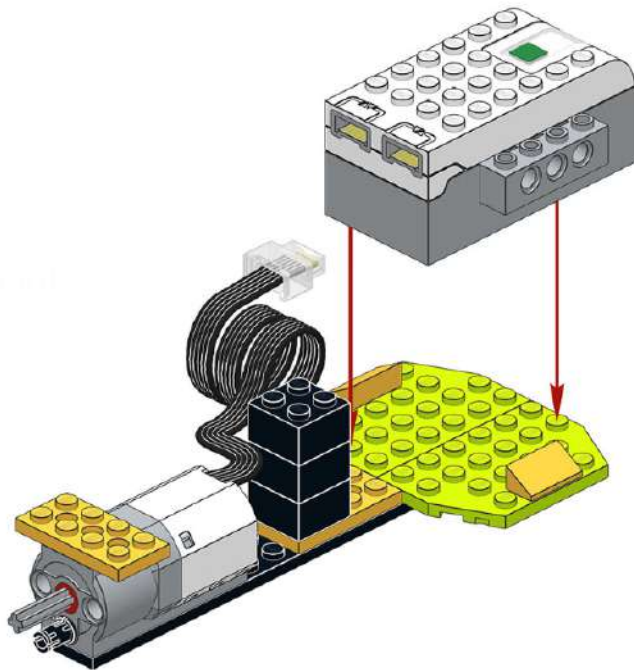


36

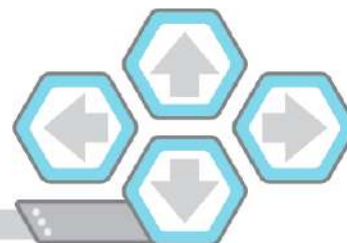
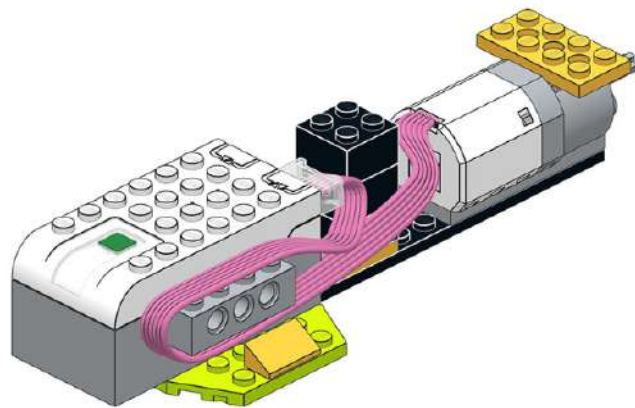




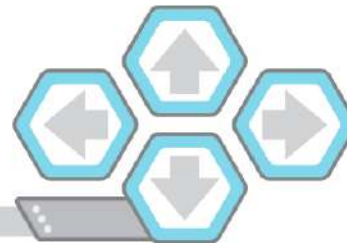
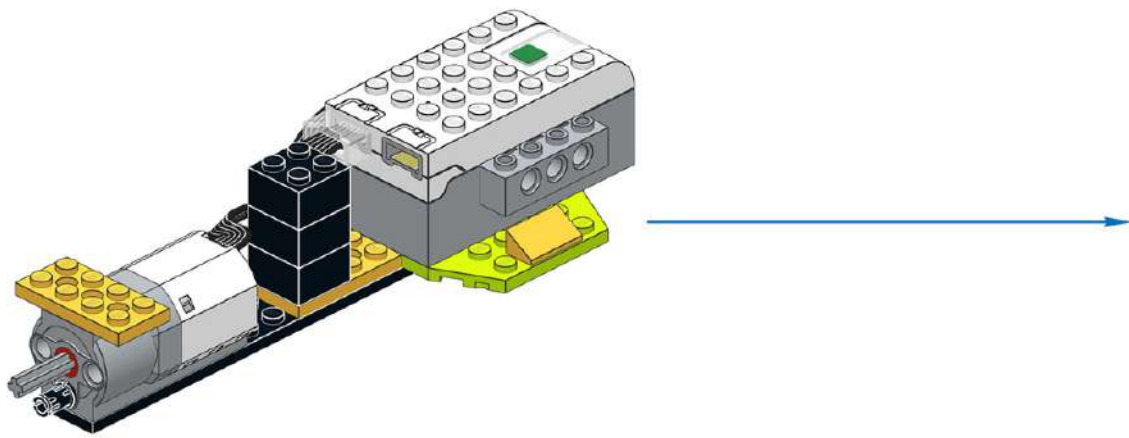
37



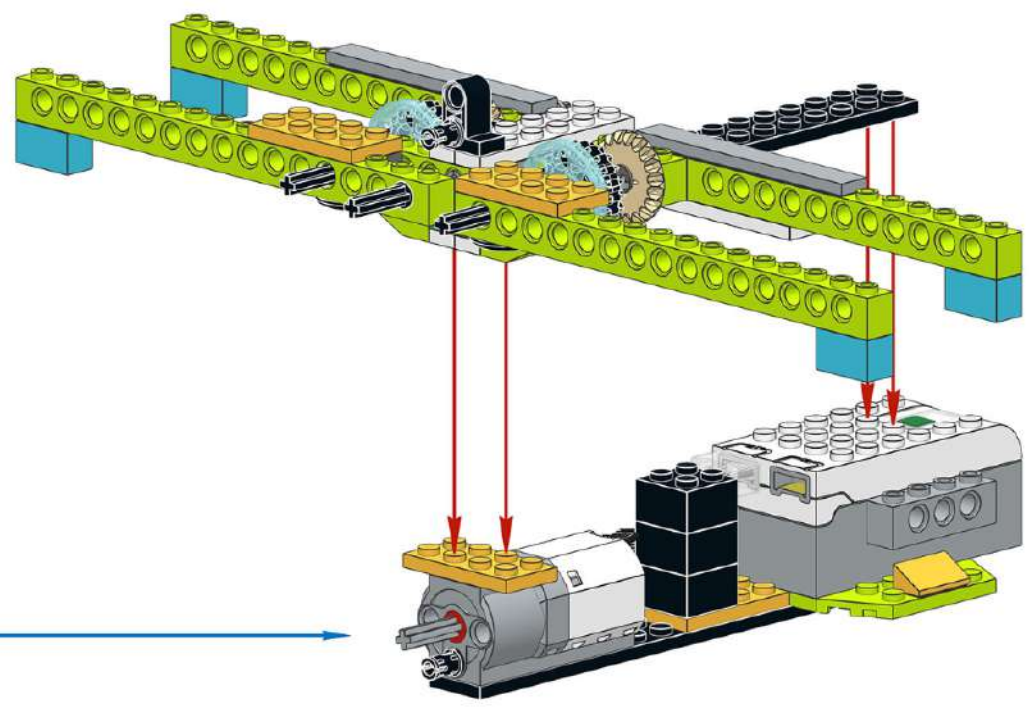
38



39



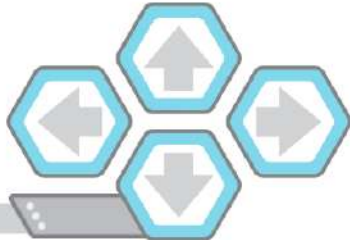
40



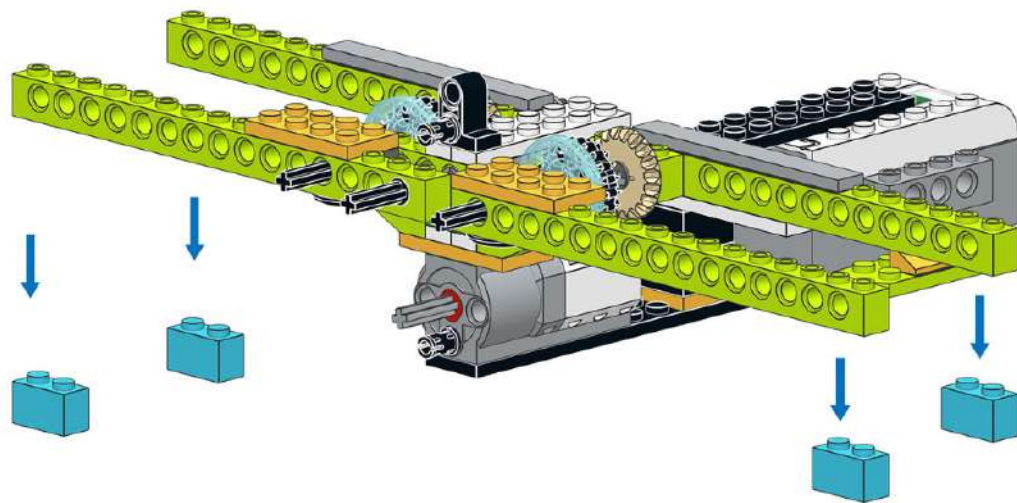
41/68

0

66



41

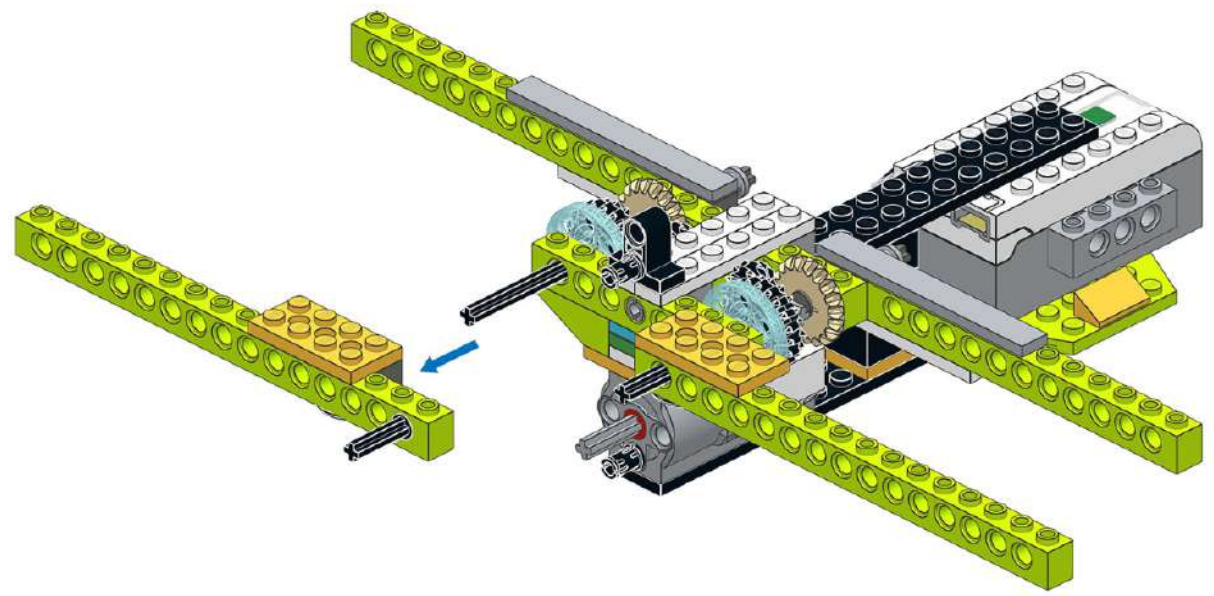


42/68

0

67

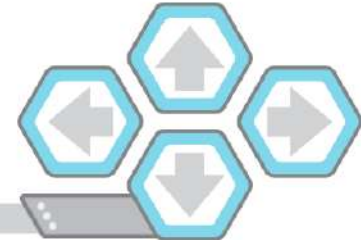
42

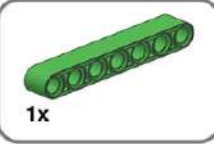


44/68

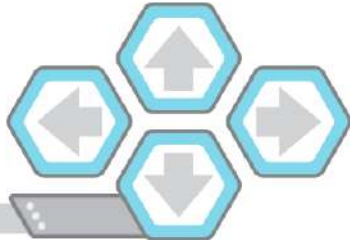
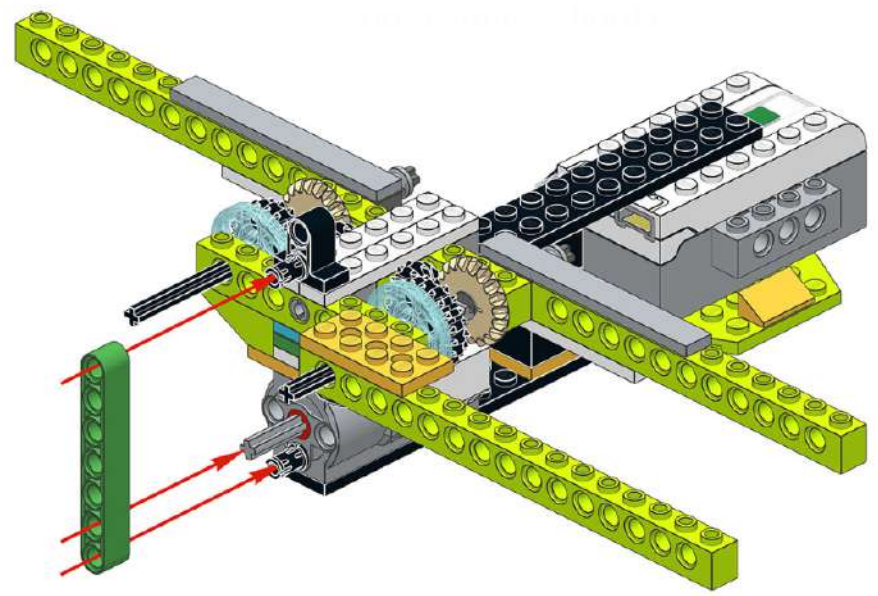
0

69



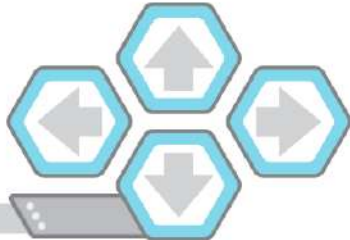
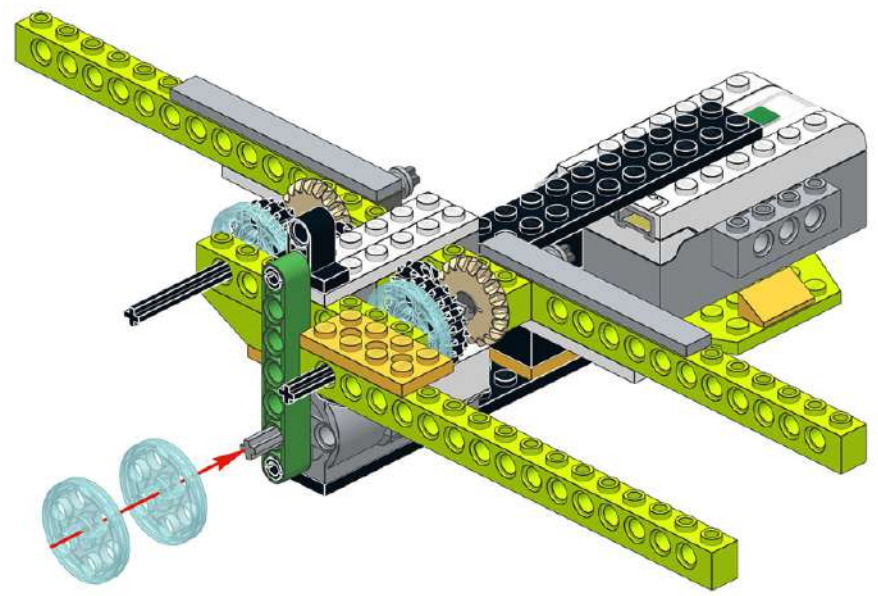


43

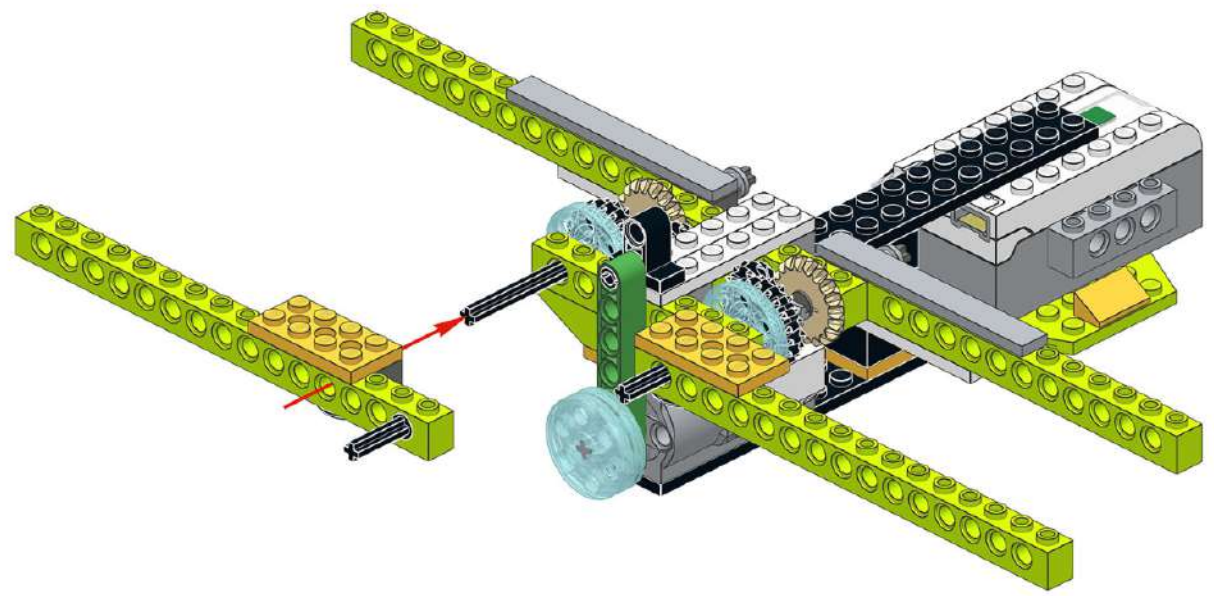




44



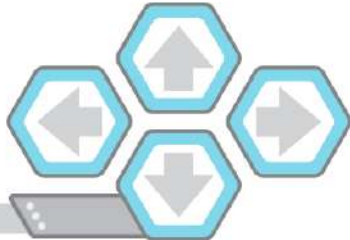
45



47/68

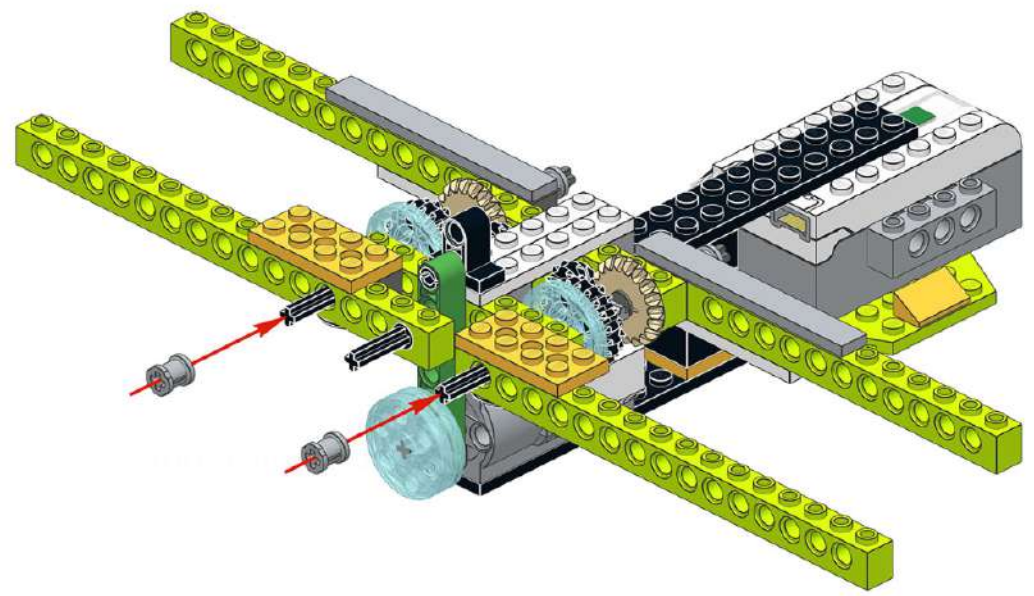
0

72




2x

46

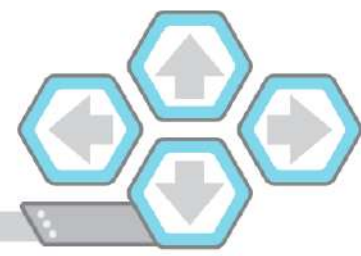


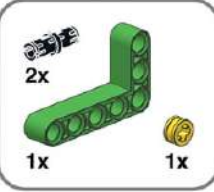

48/68


0

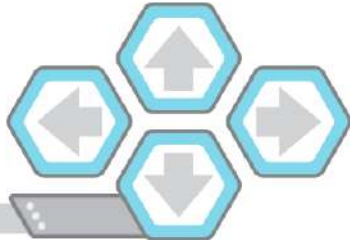
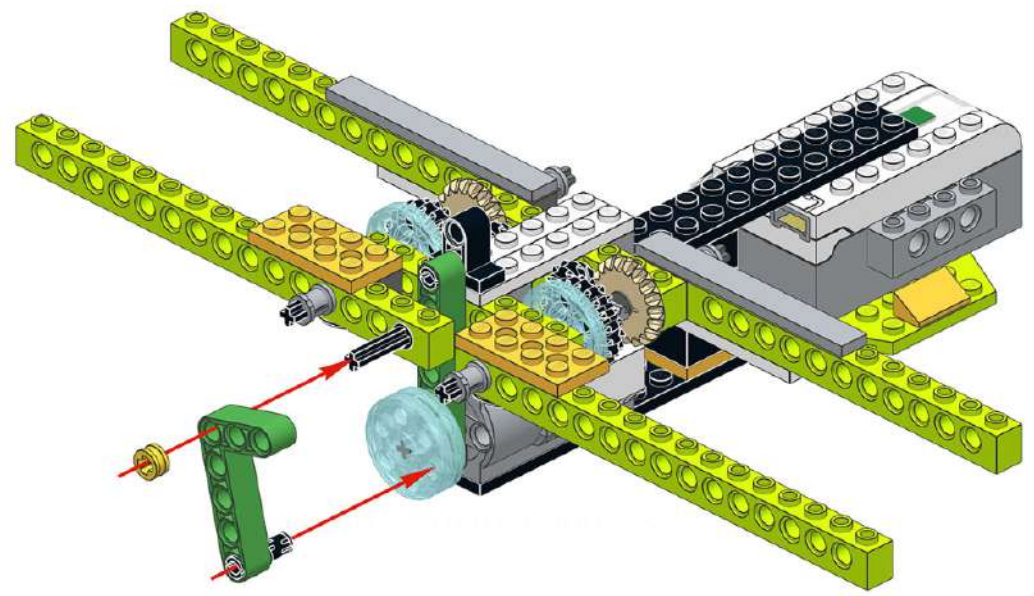


73

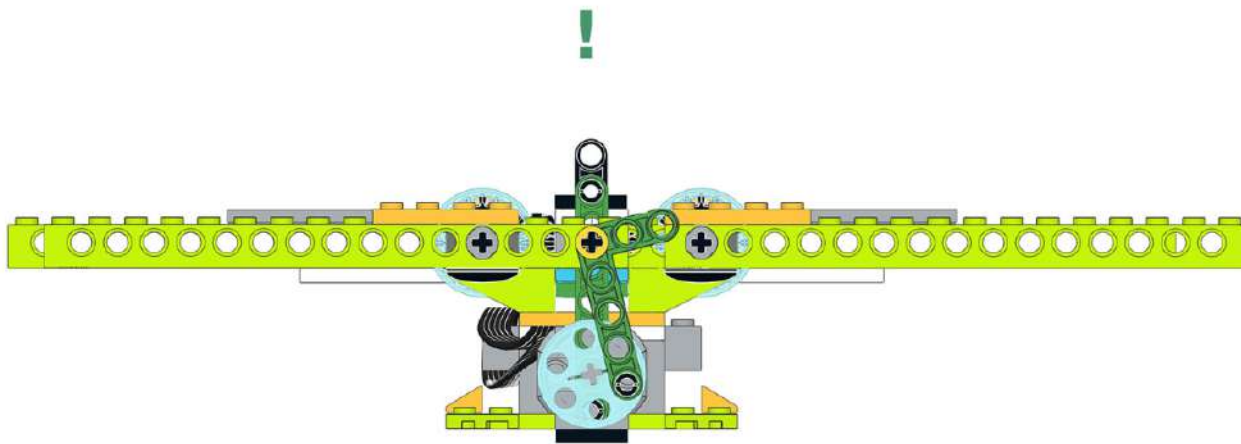




47



Build the robot's hand

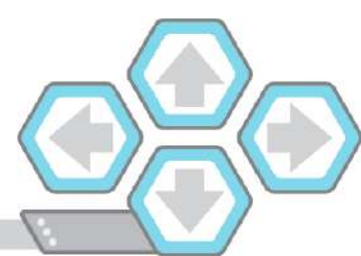


51/68

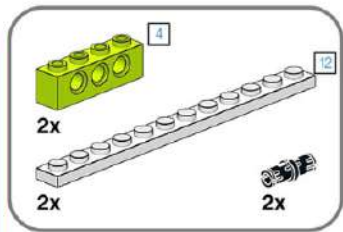
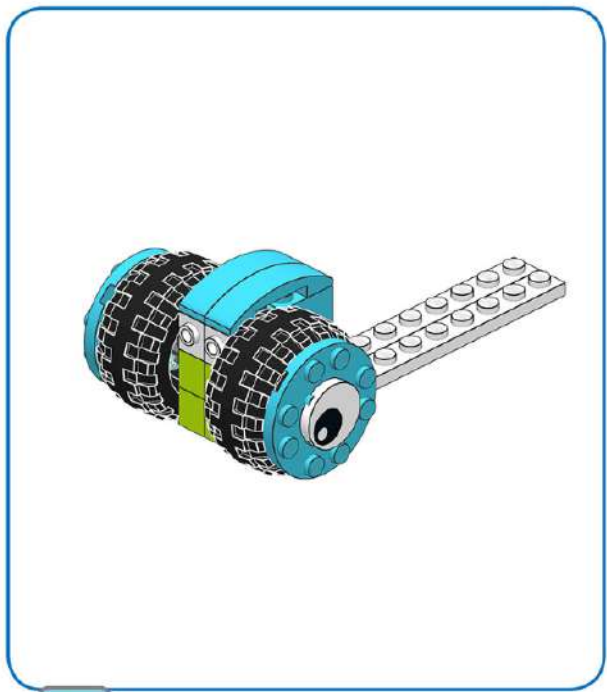
0



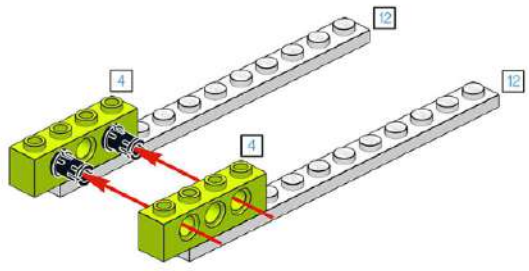
76



Assembly Step 50



50

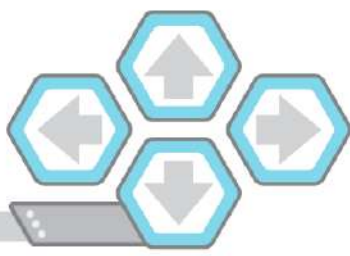


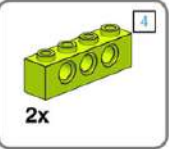
52/68

0

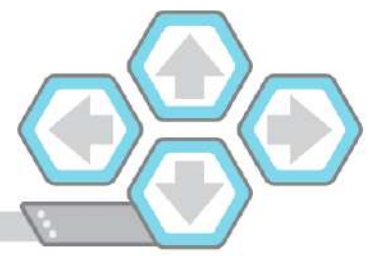
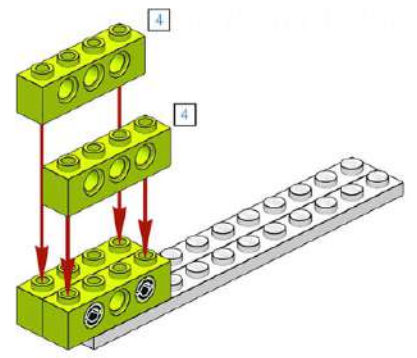


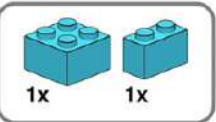
77



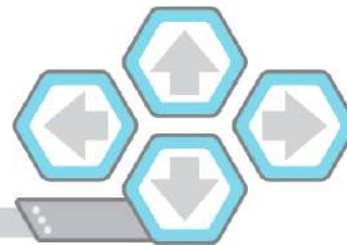
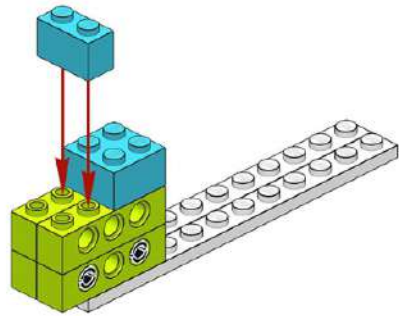


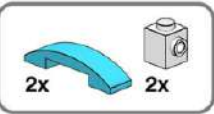
51



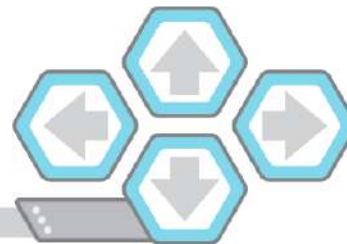
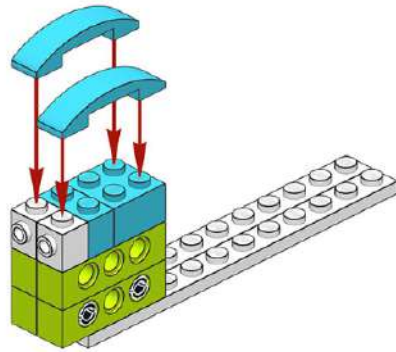


52



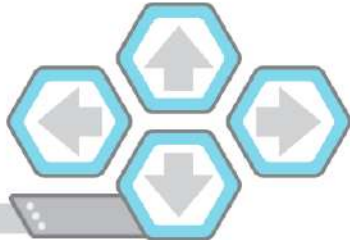
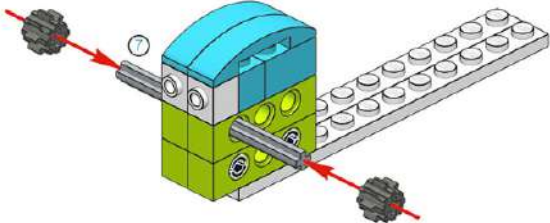


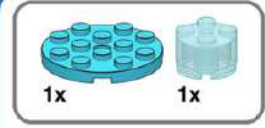
53



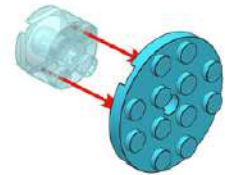


54

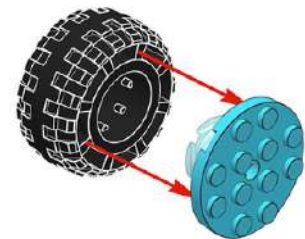




1



2



3



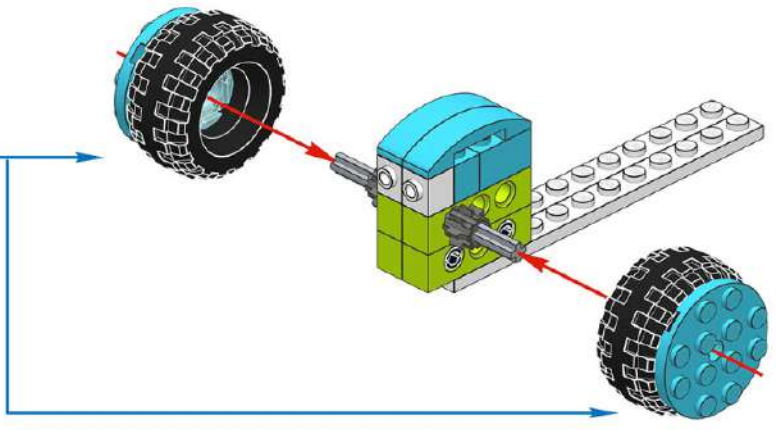
2x

57/68

0

82

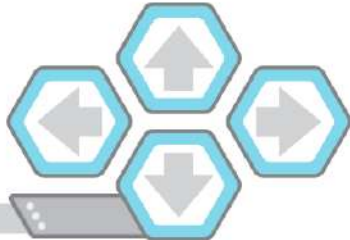
56

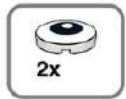


58/68

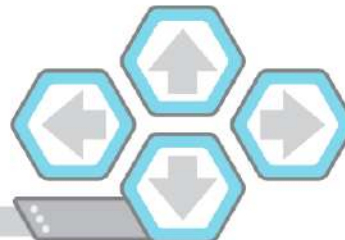
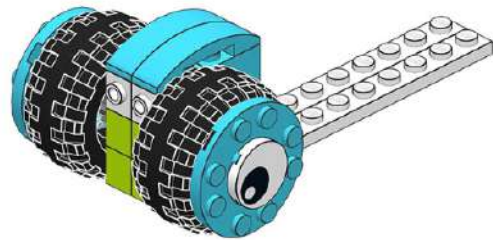
0

83

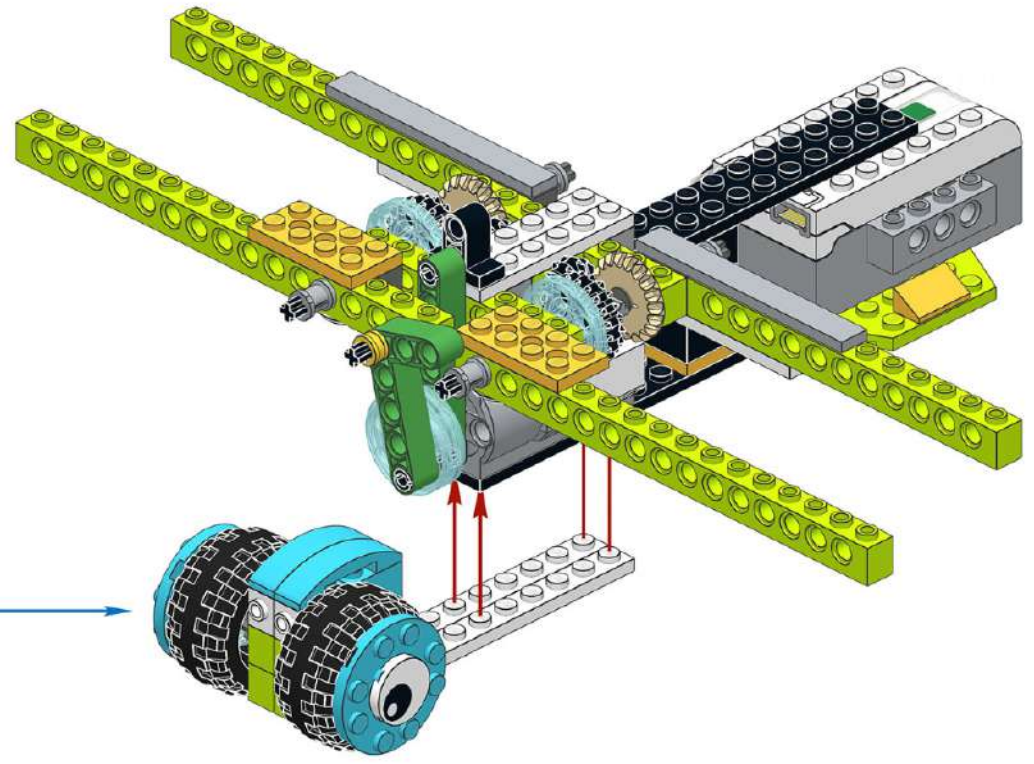




57



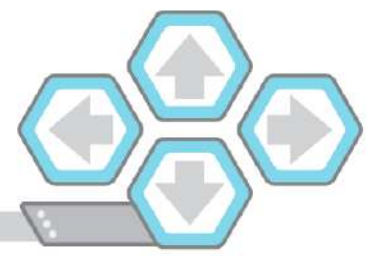
58



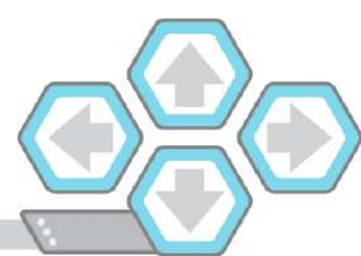
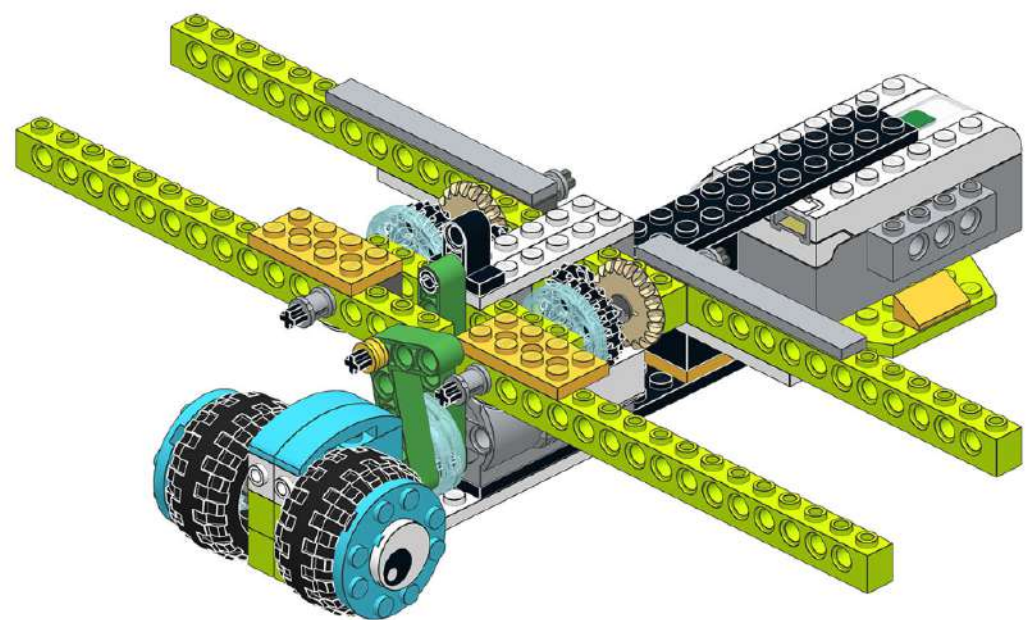
60/68

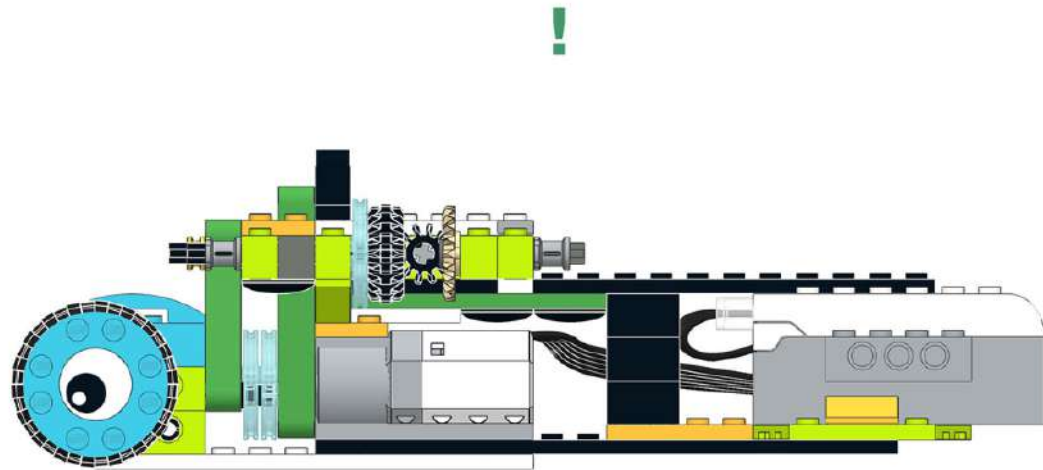
0

85



59

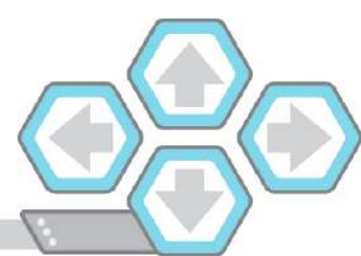


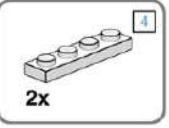


62/68

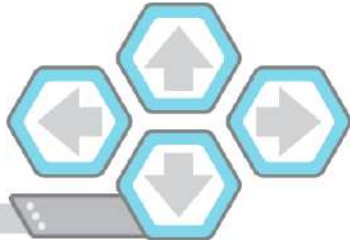
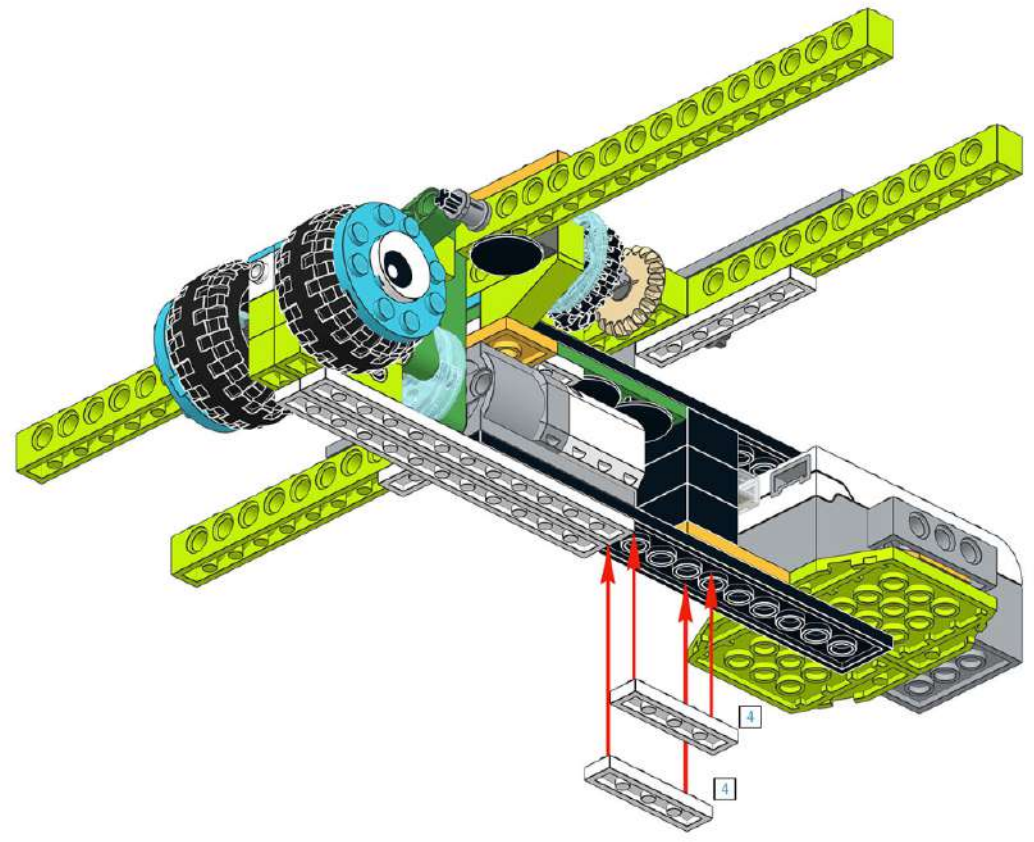
0

87

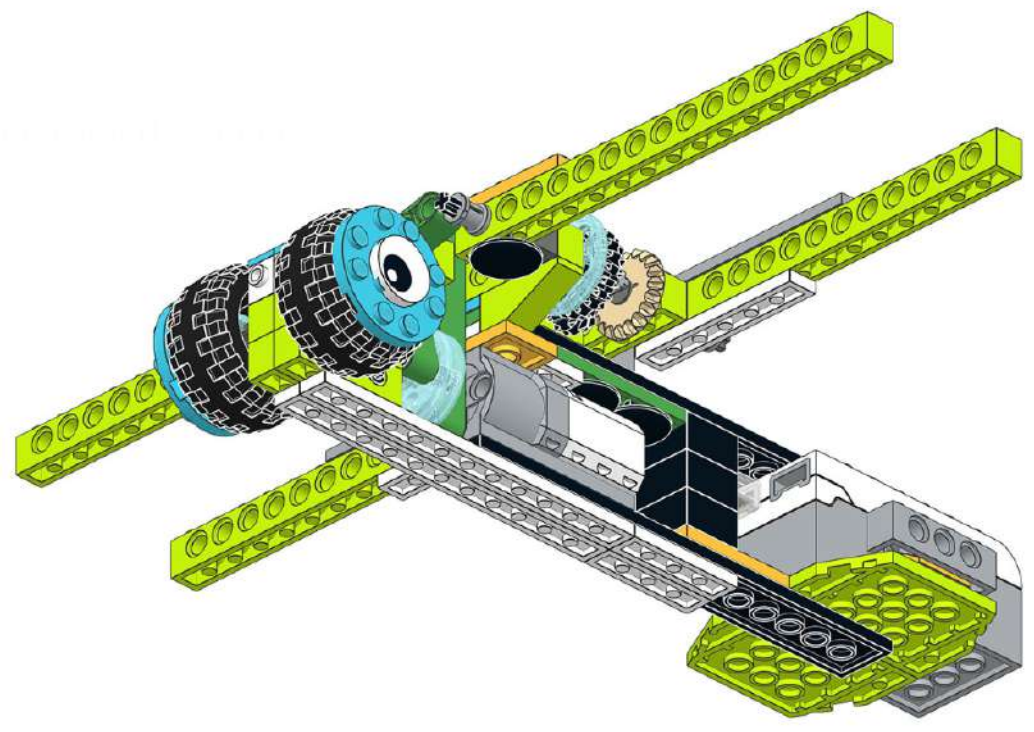




61



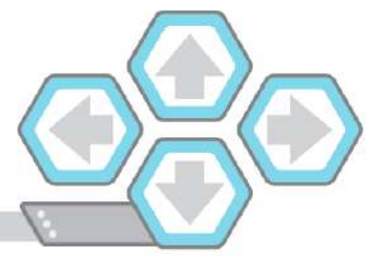
62



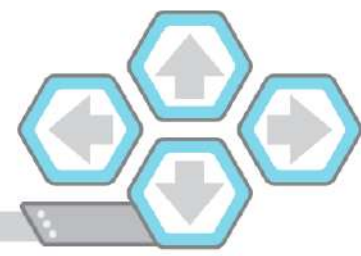
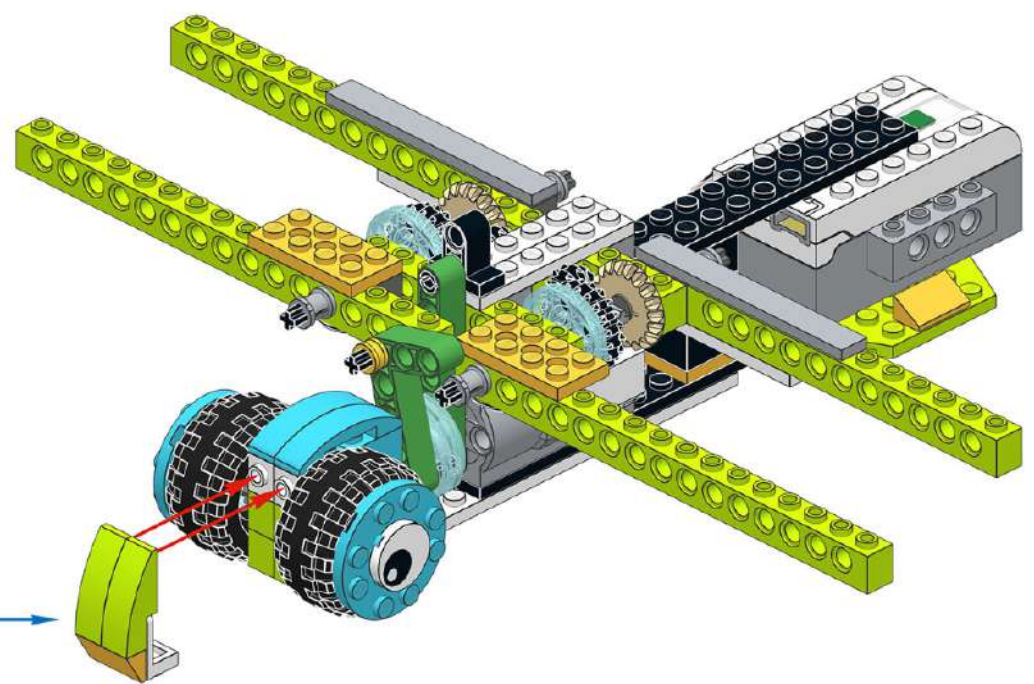
64/68

0

89

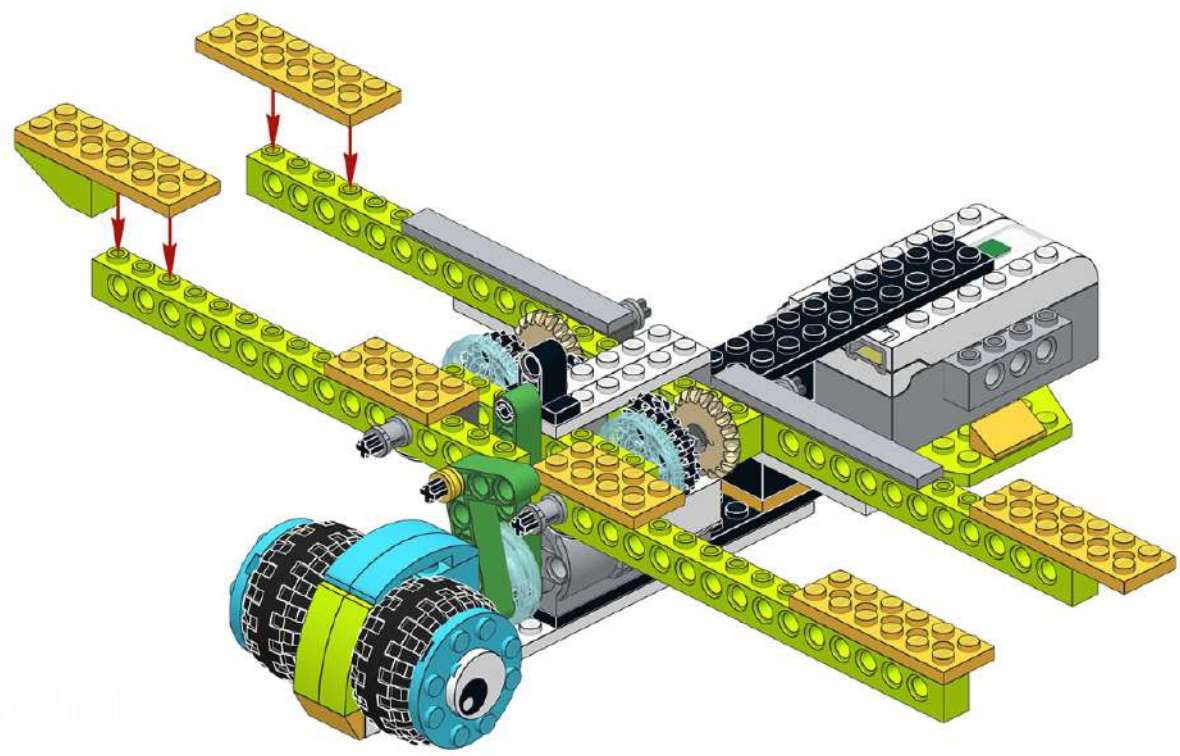


64



- 1x
- 4x

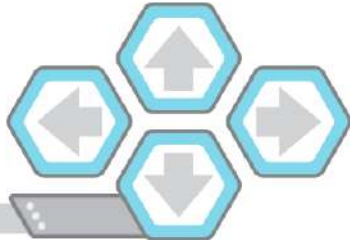
65



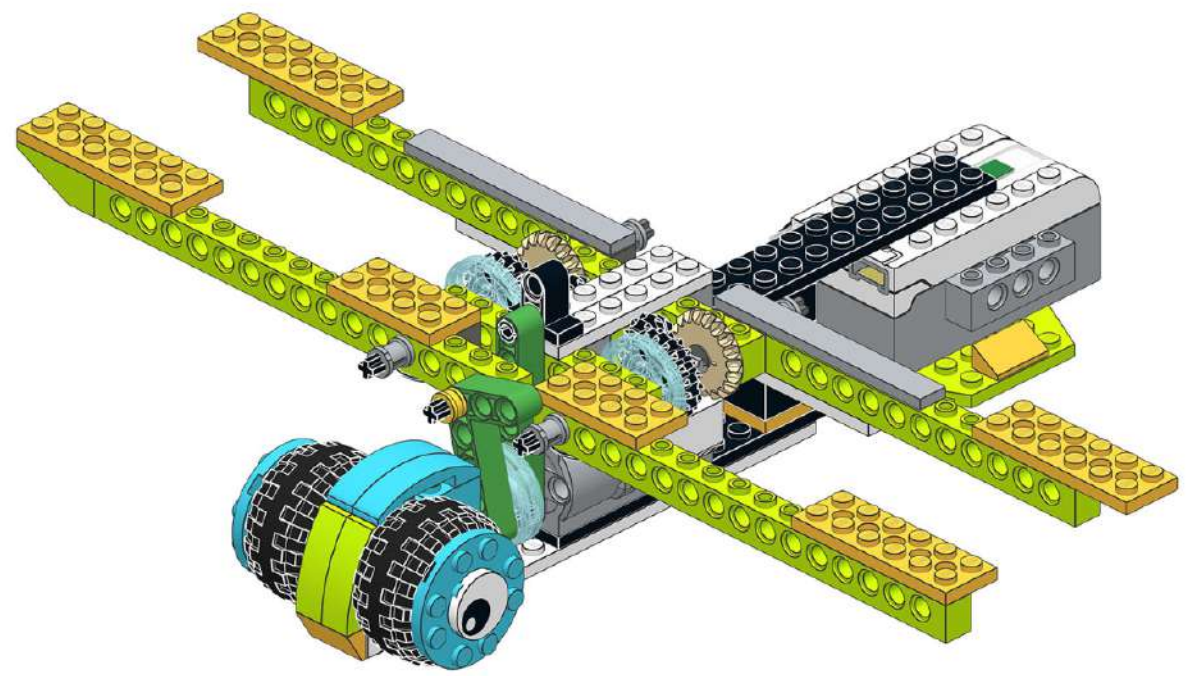
67/68

0

92



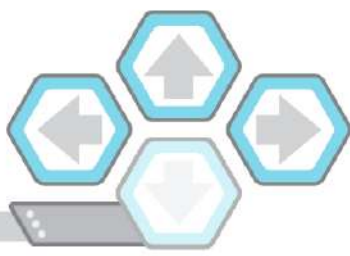
66



68/68

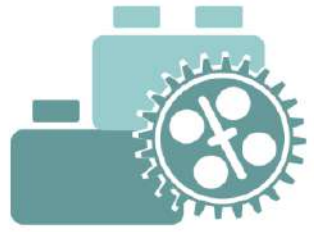
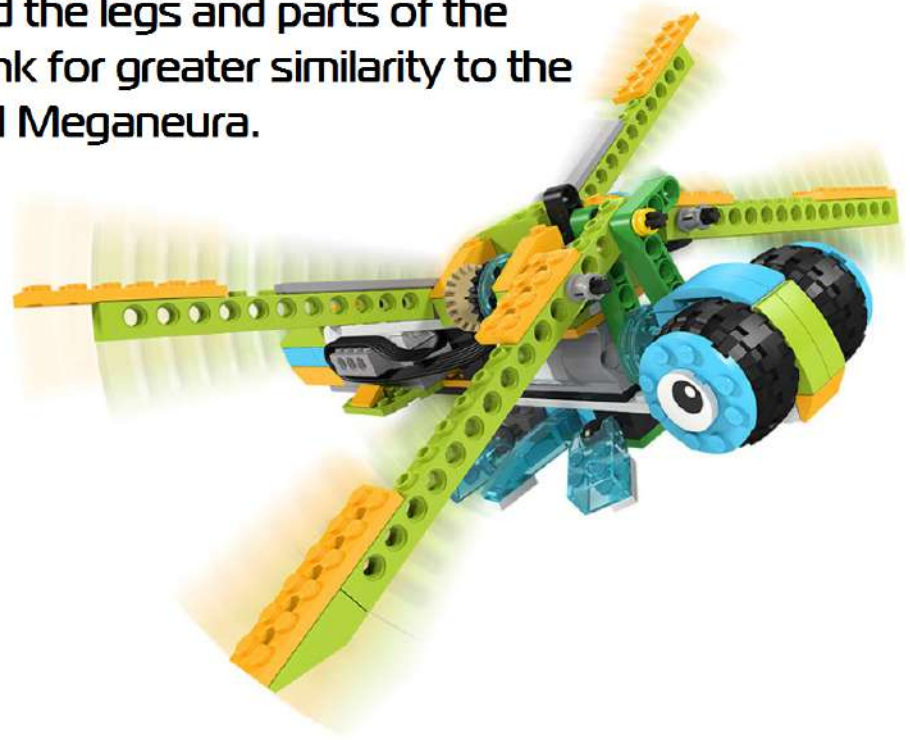
0

93



Enhanced version

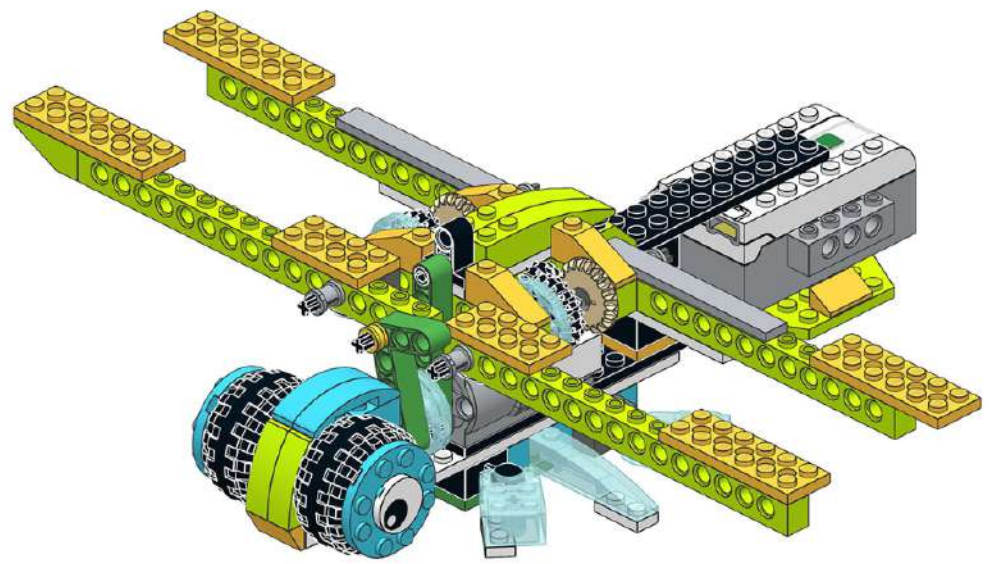
Add the legs and parts of the trunk for greater similarity to the real Meganeura.



Meganeura



78

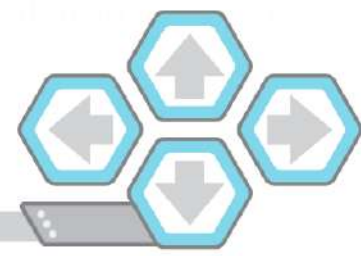


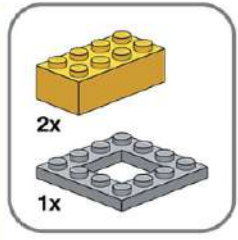
13/24

0

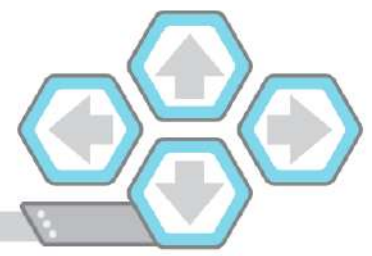
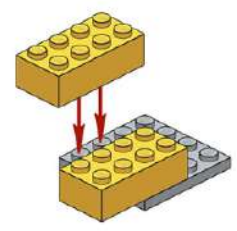
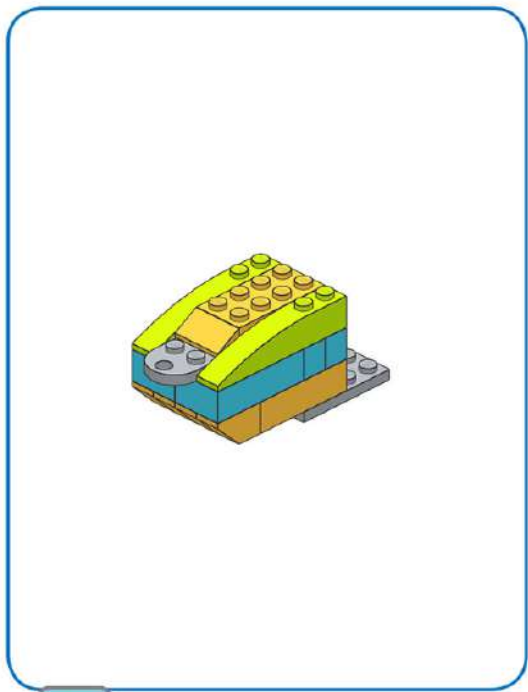


107

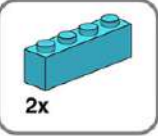




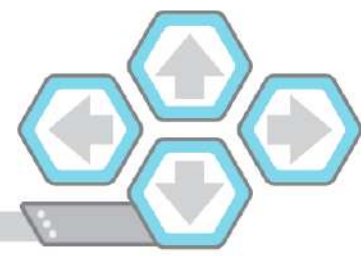
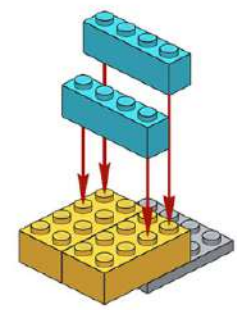
79

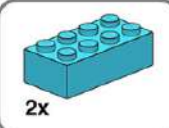


Roborise-IT! Step 80

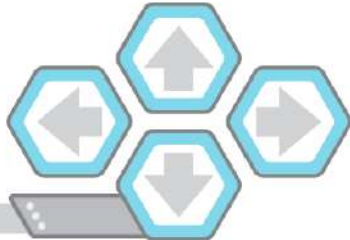
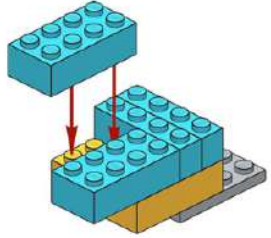


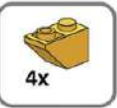
80



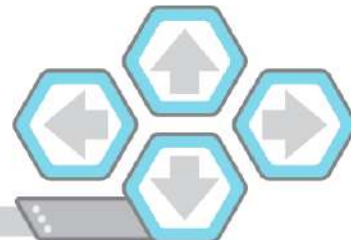
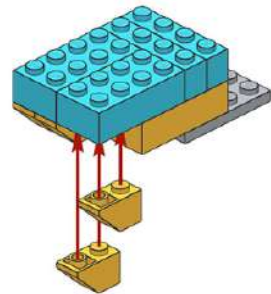


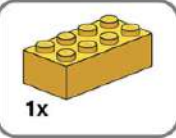
81



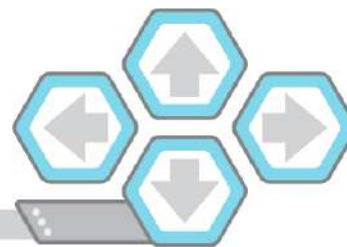
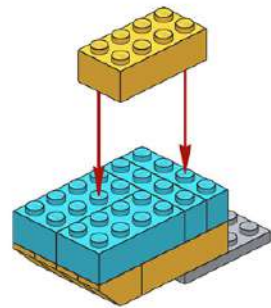


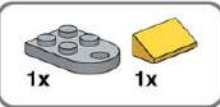
82





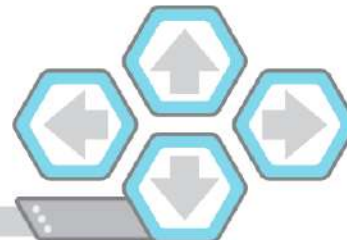
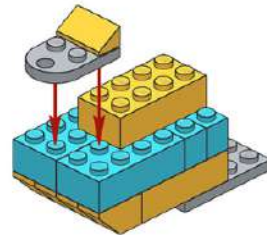
83



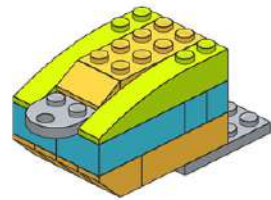


www.robobuild.com

84



86

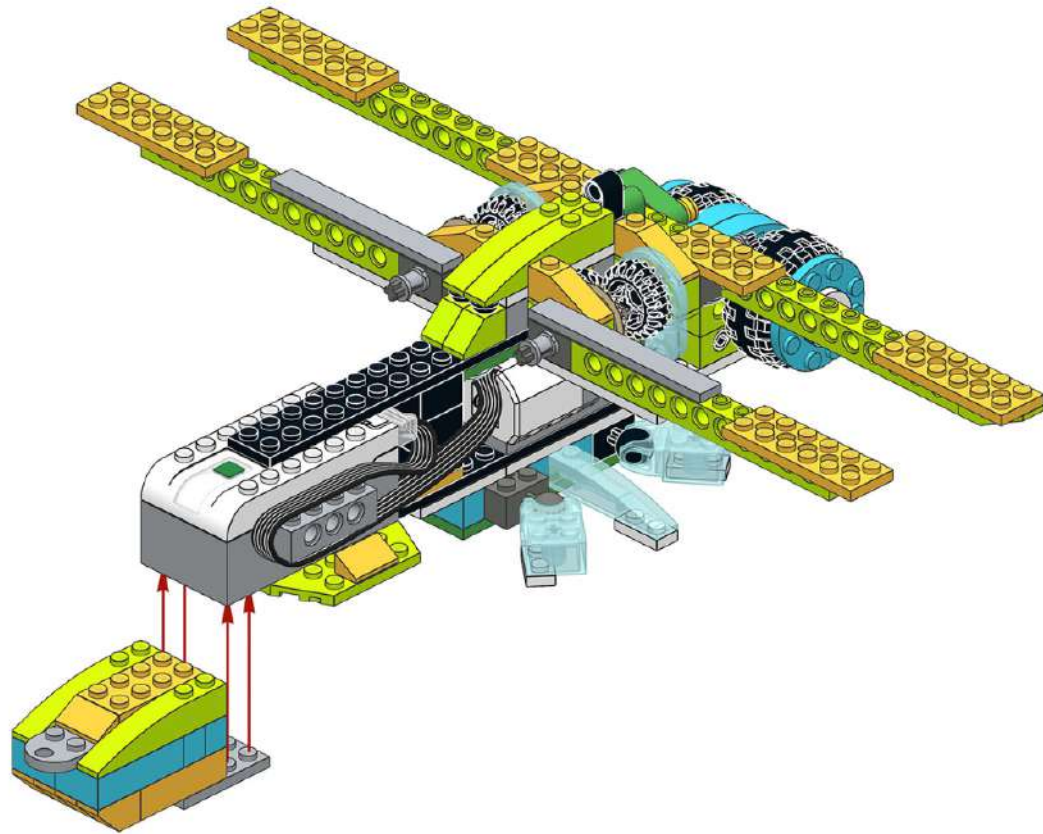


21/24

0

115

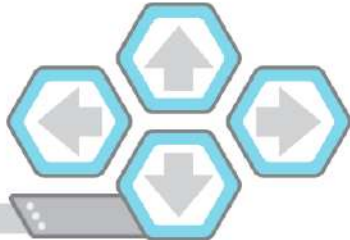
87



22/24

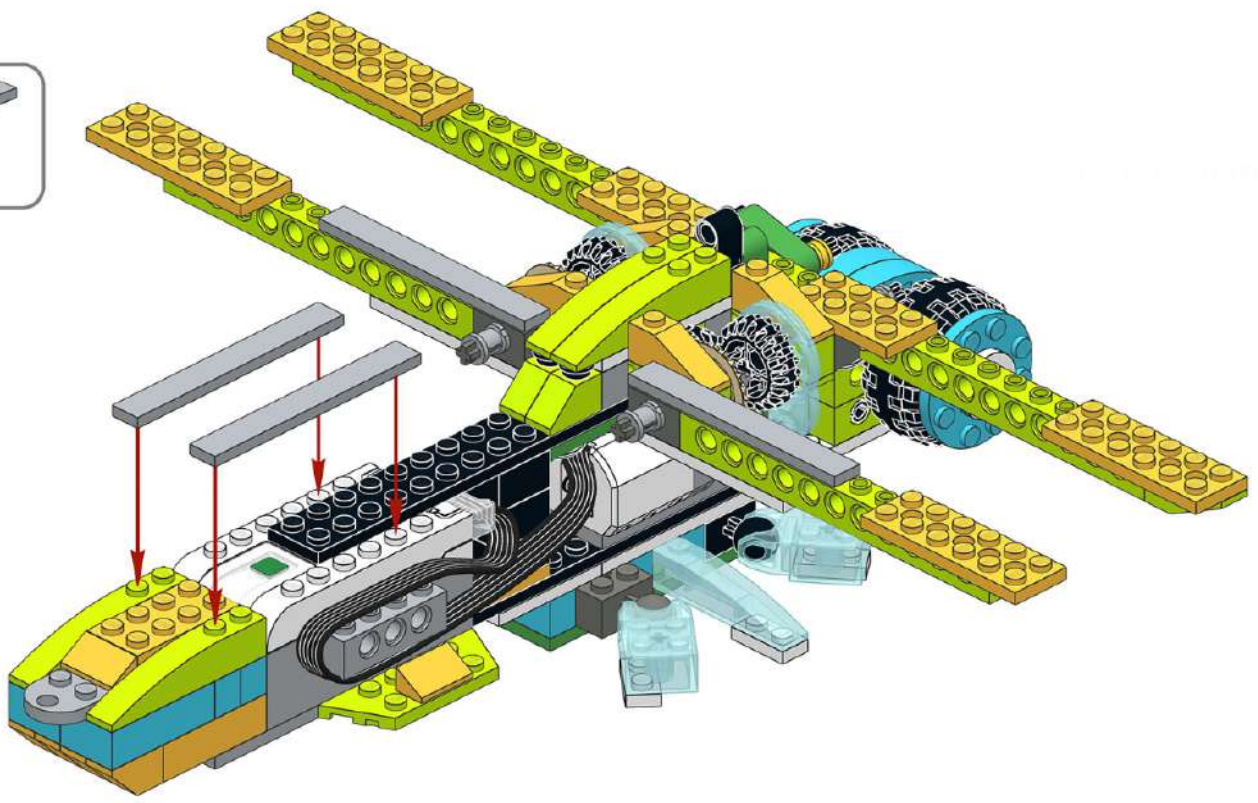
0

116





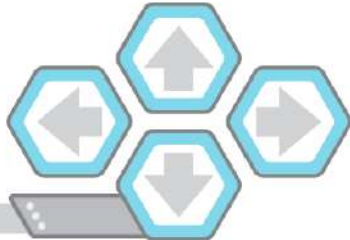
88



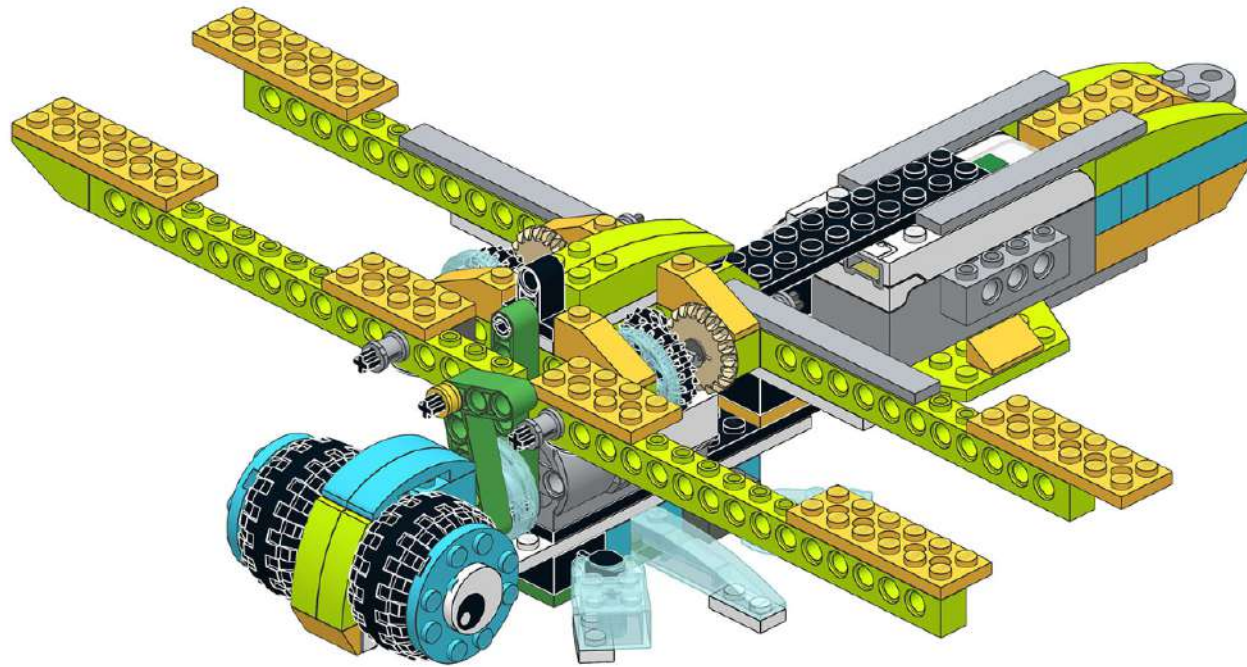
23/24

0

117



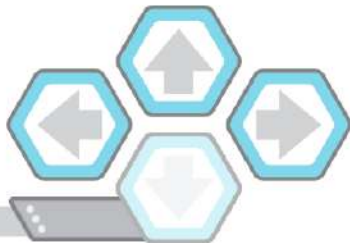
89



24/24

0

118



⚠ Check it out!

Avoid any friction between the cables while wings are moving.

