

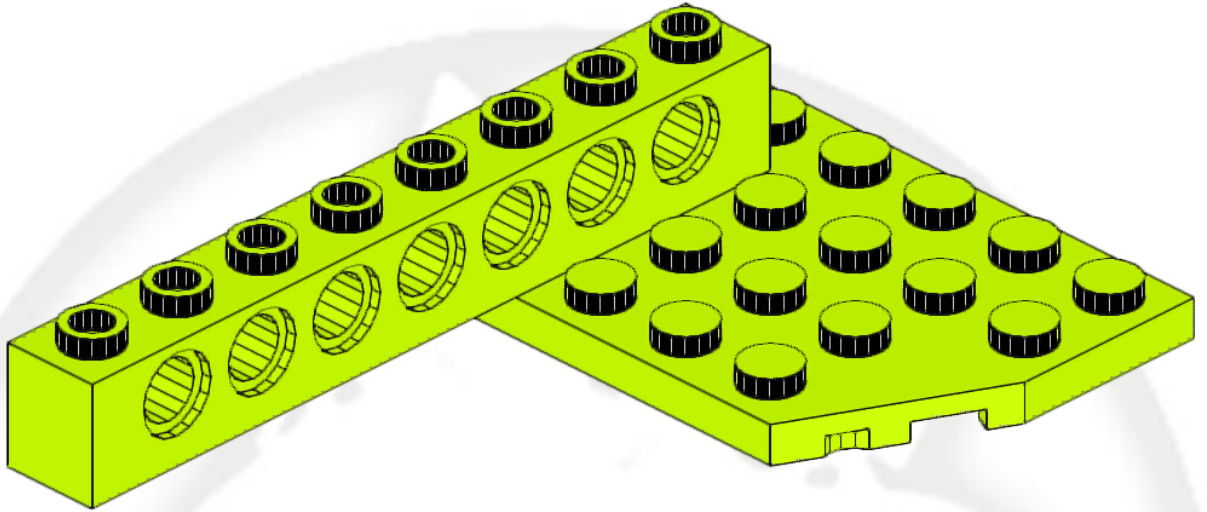
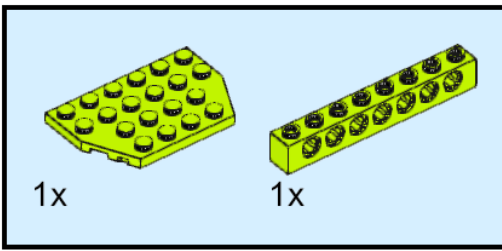
Drive



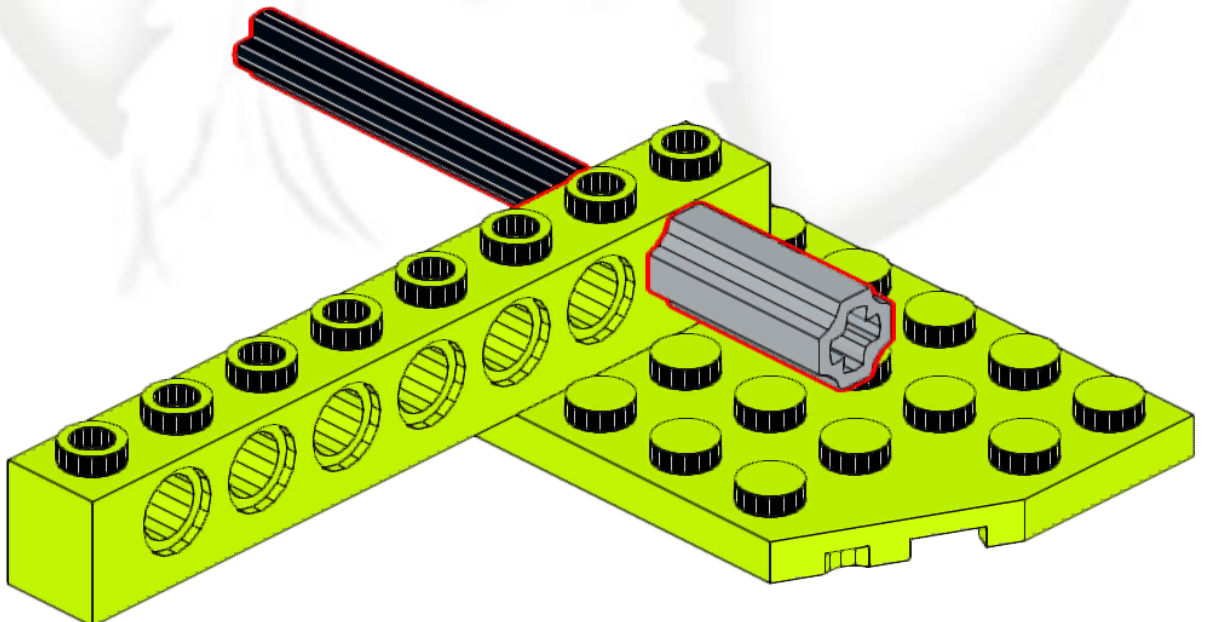
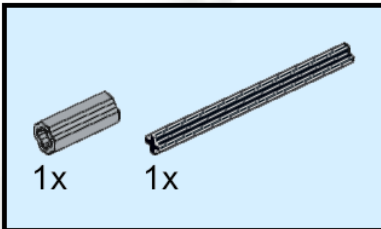
www.nayacreations.com



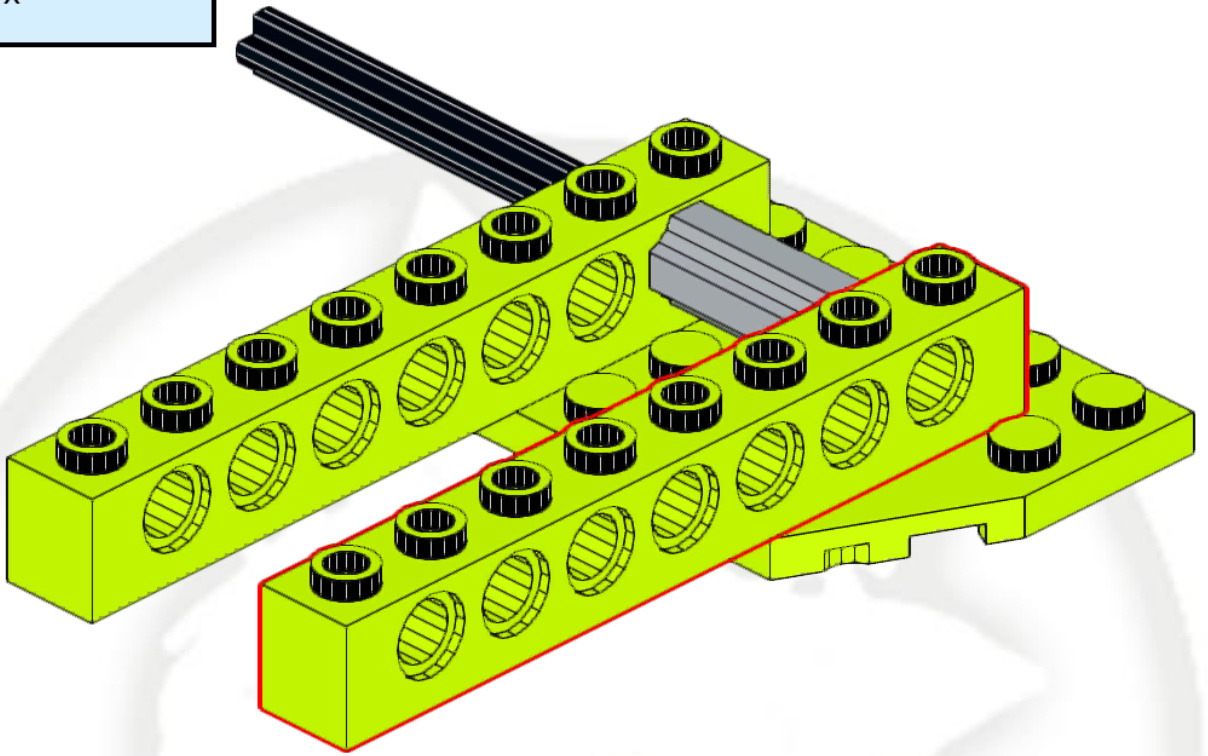
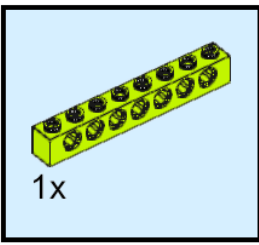
1



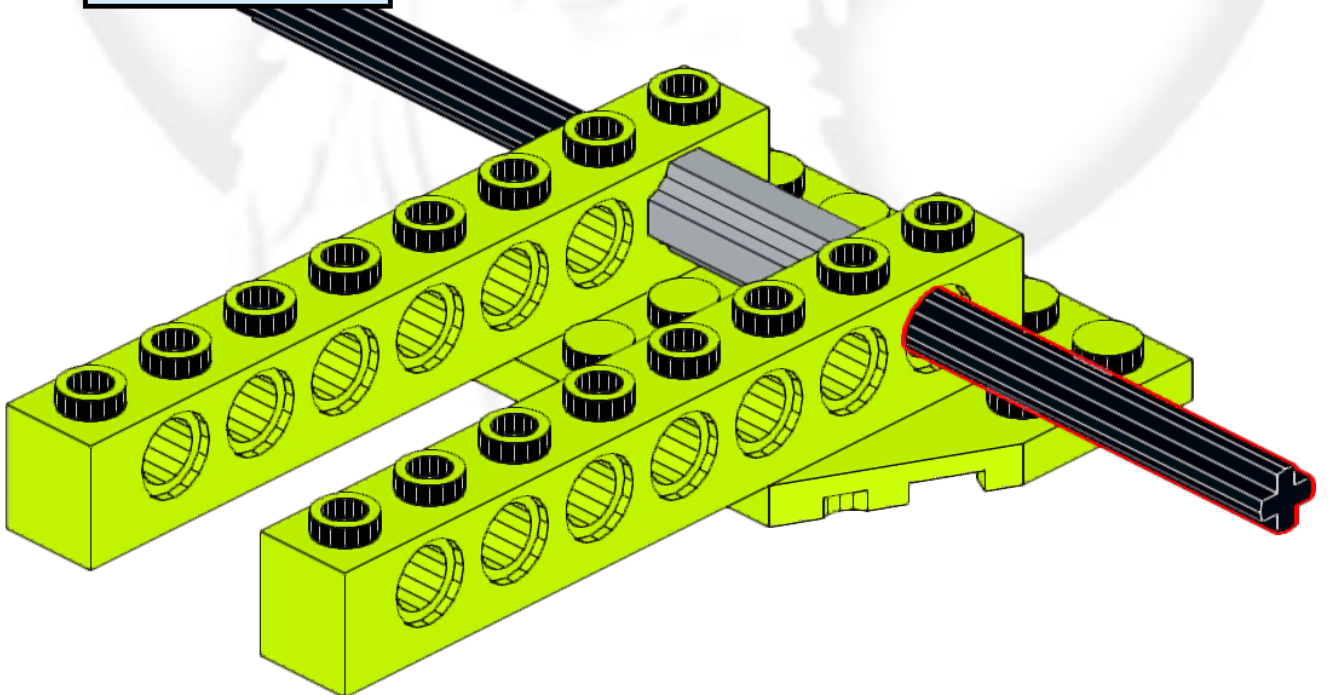
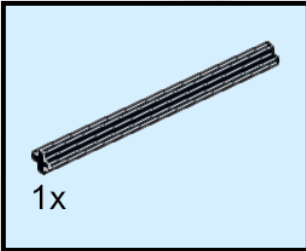
2



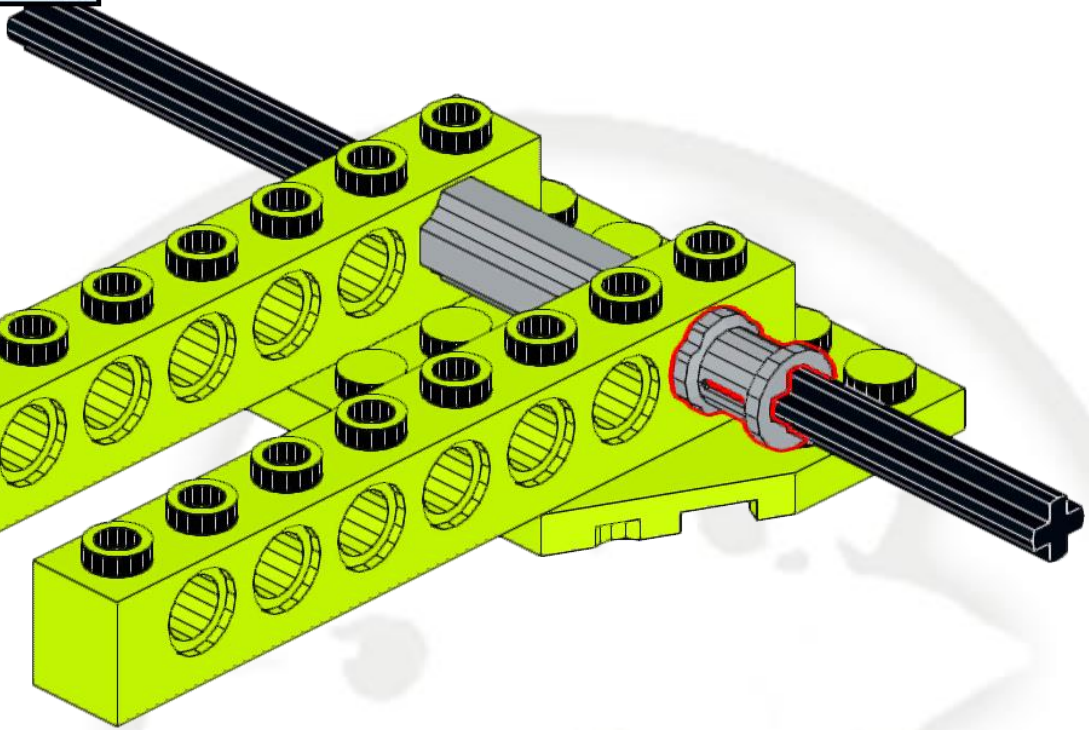
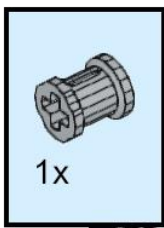
3



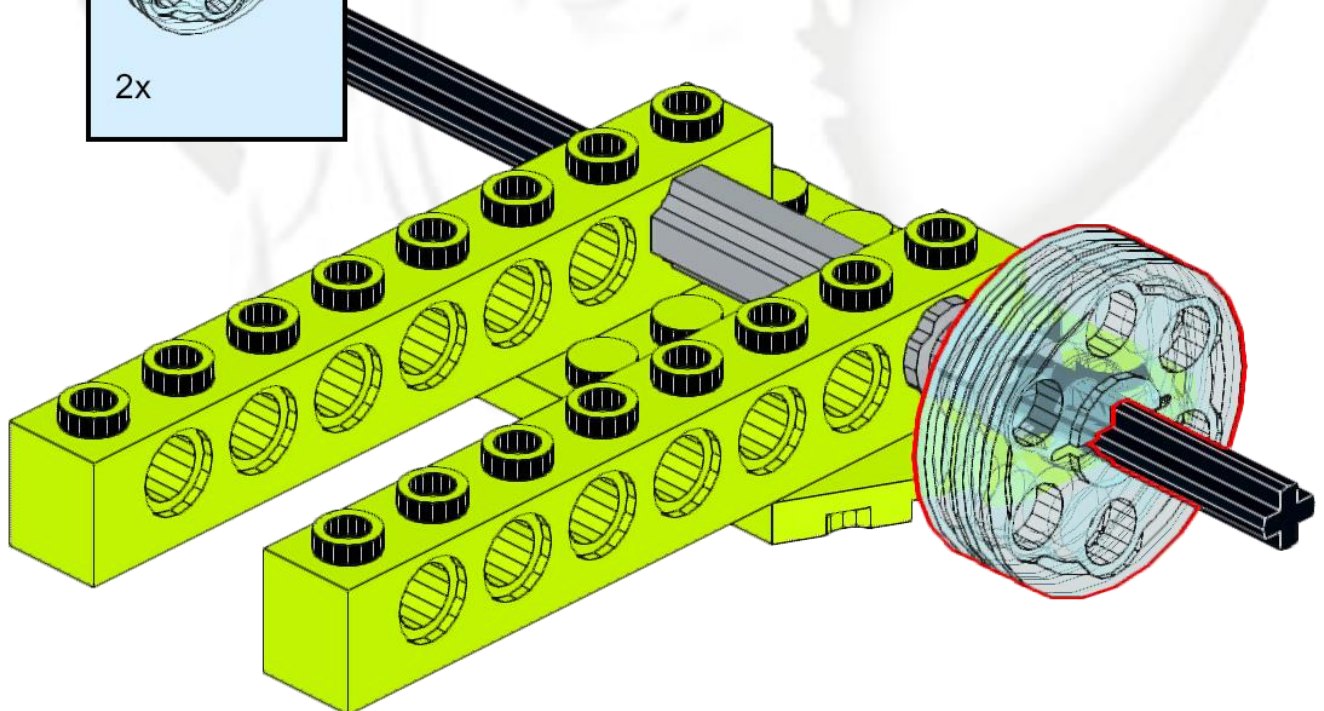
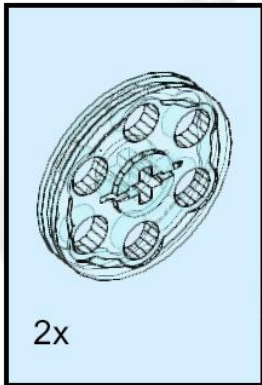
4



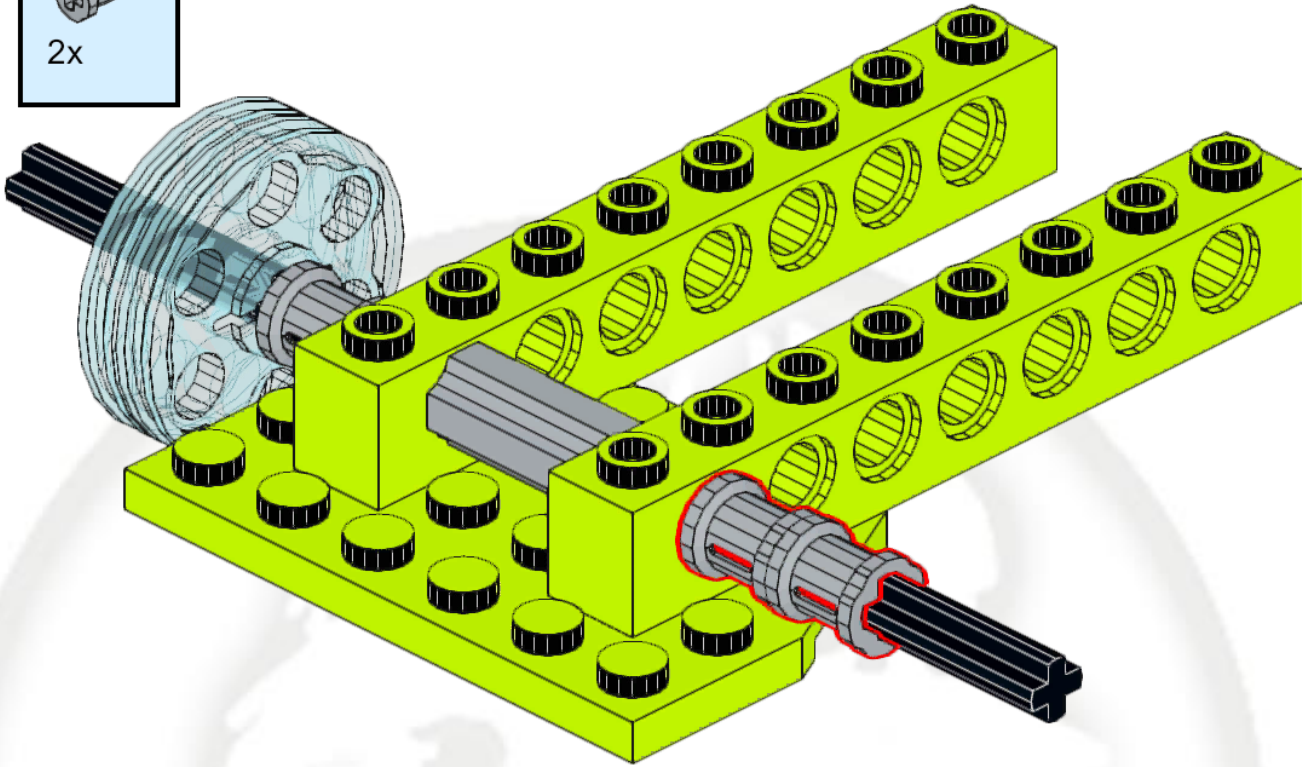
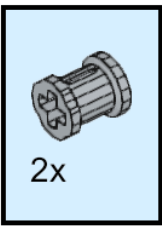
5



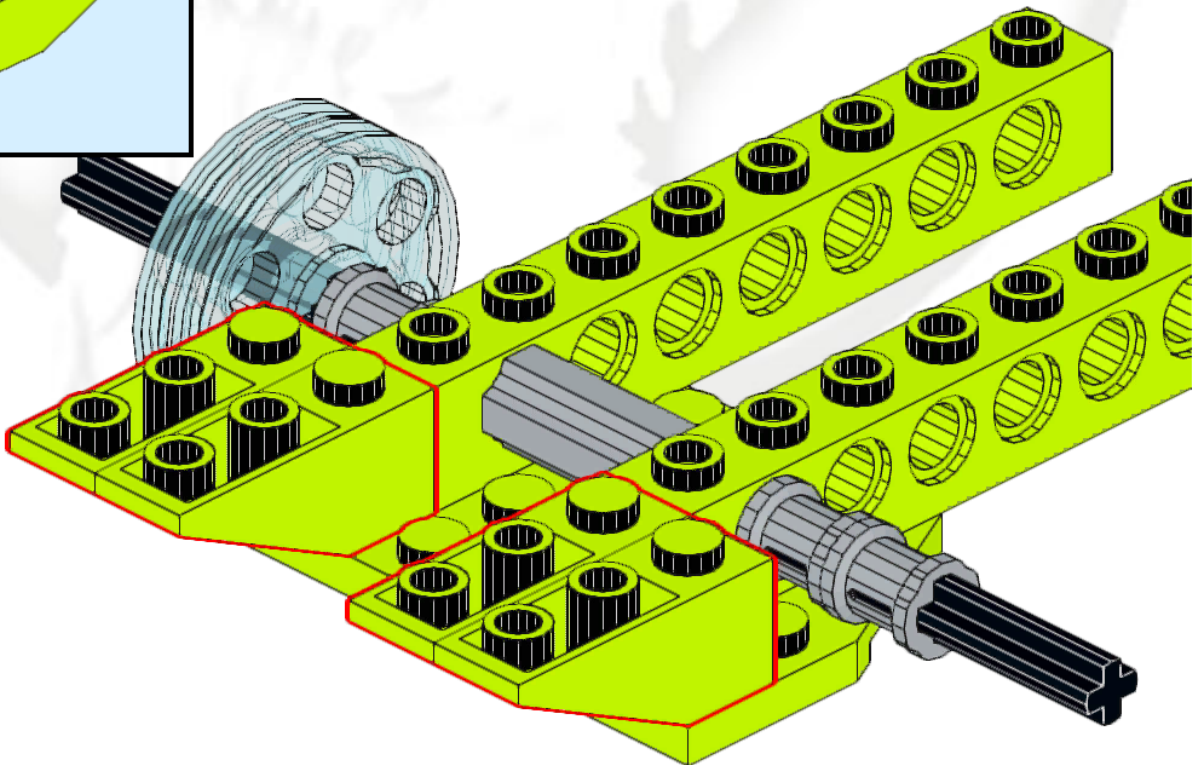
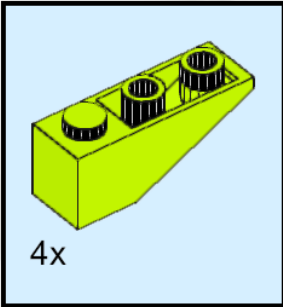
6



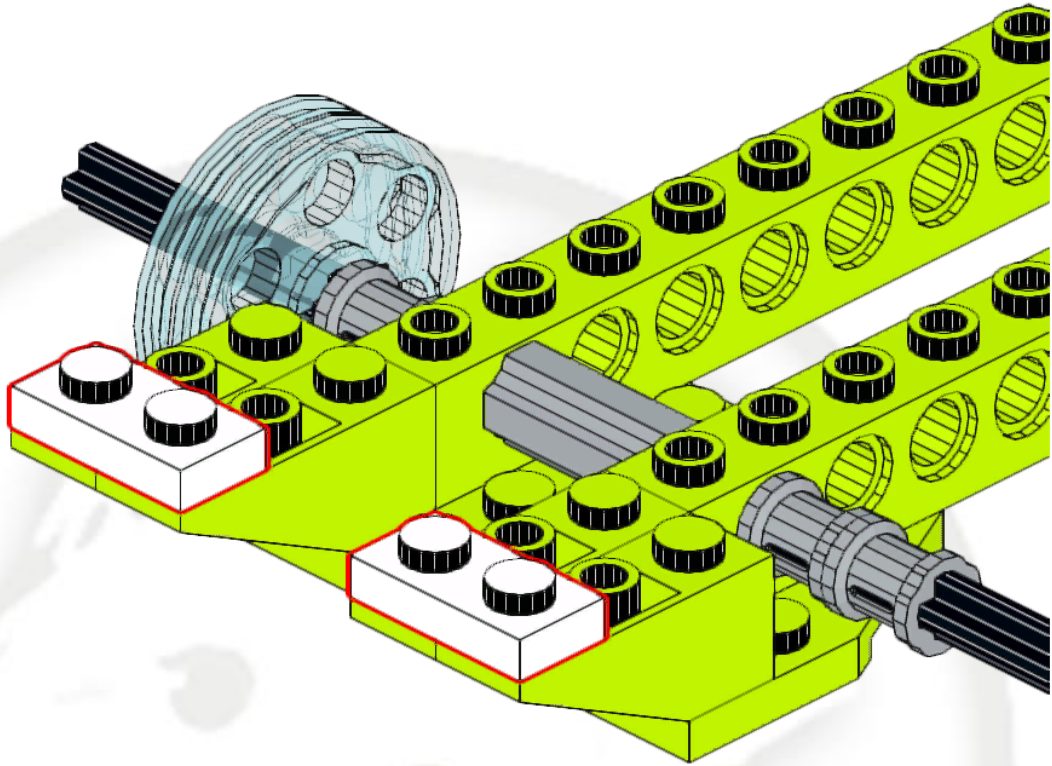
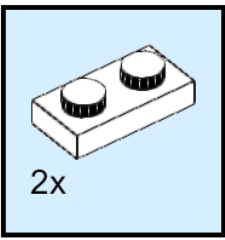
7



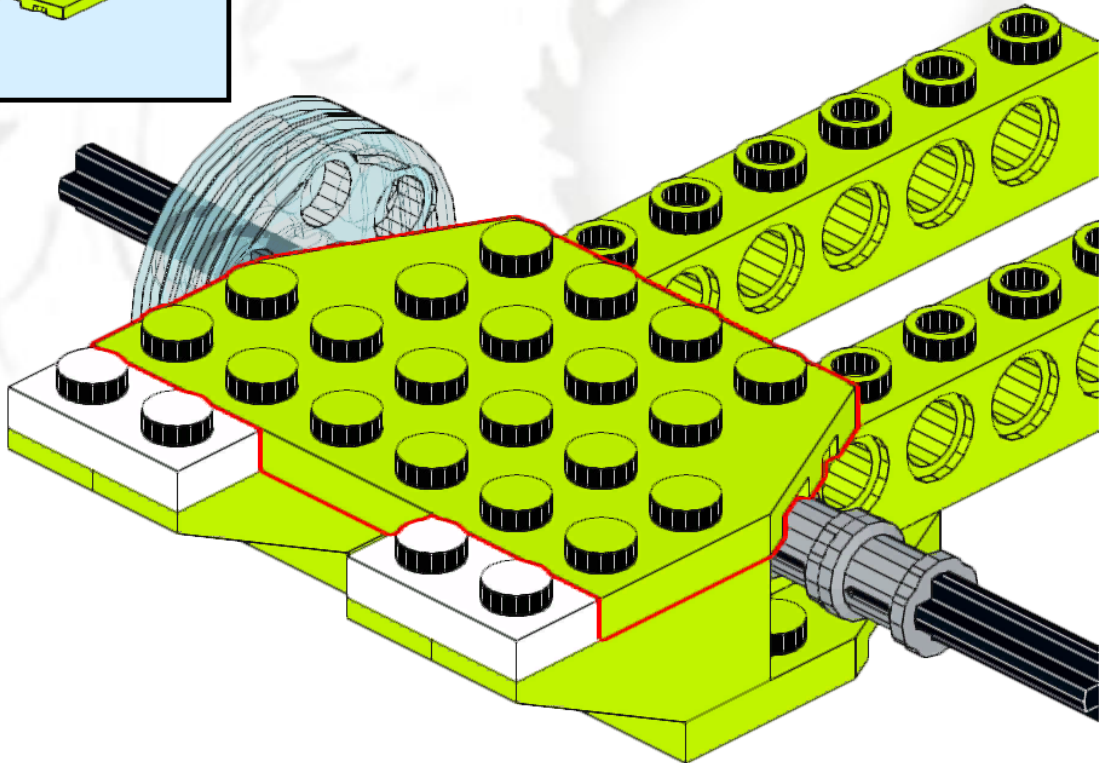
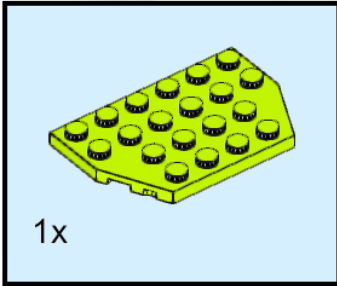
8



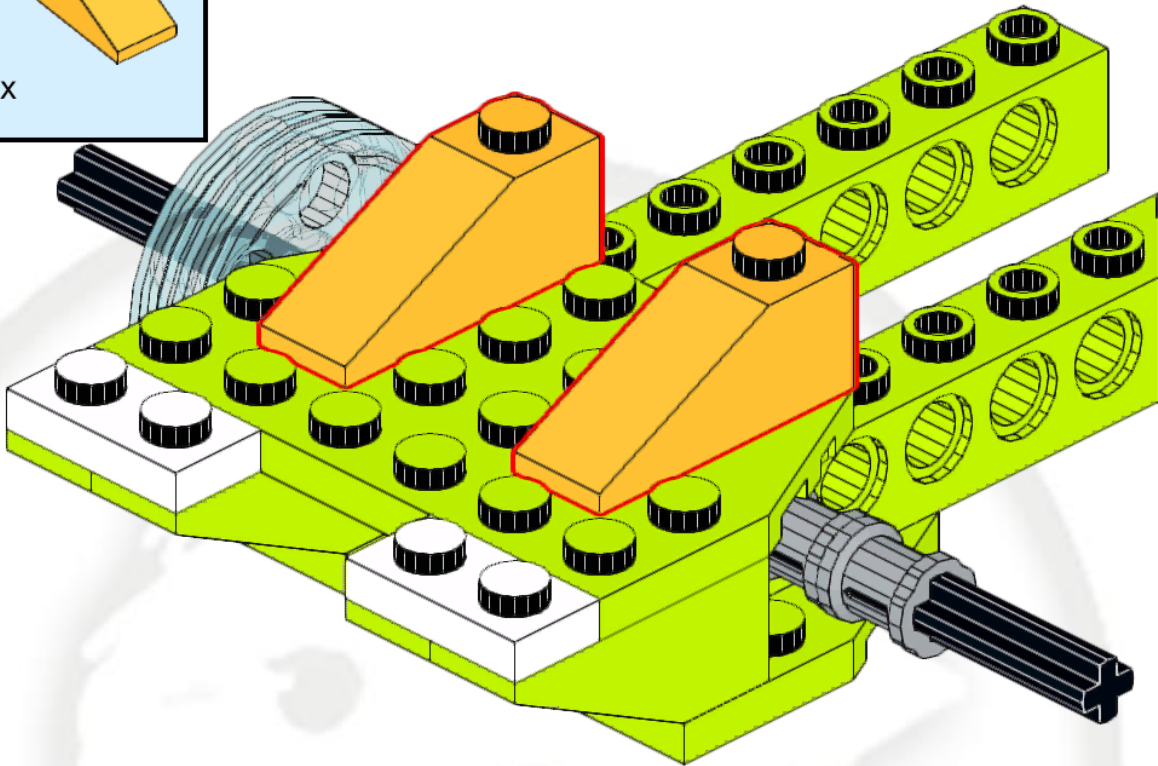
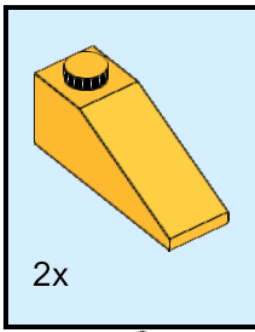
9



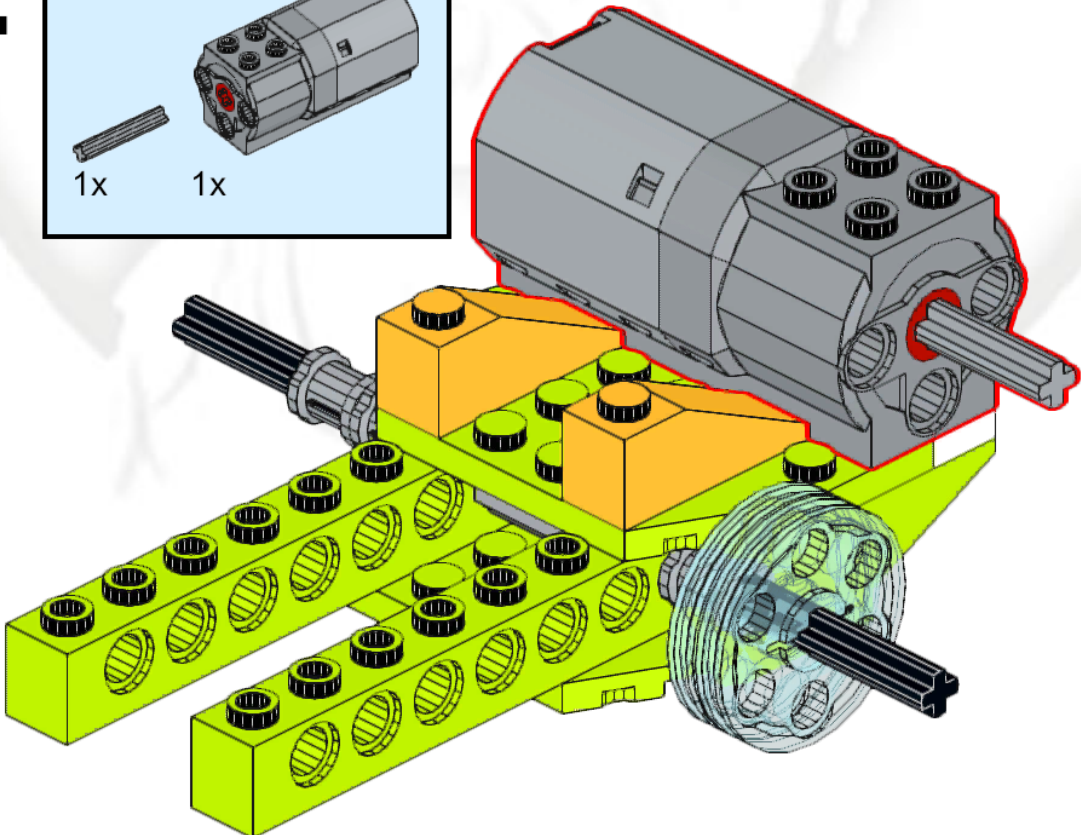
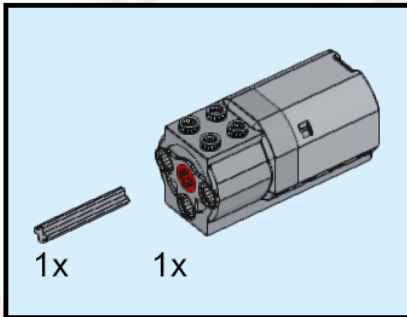
10



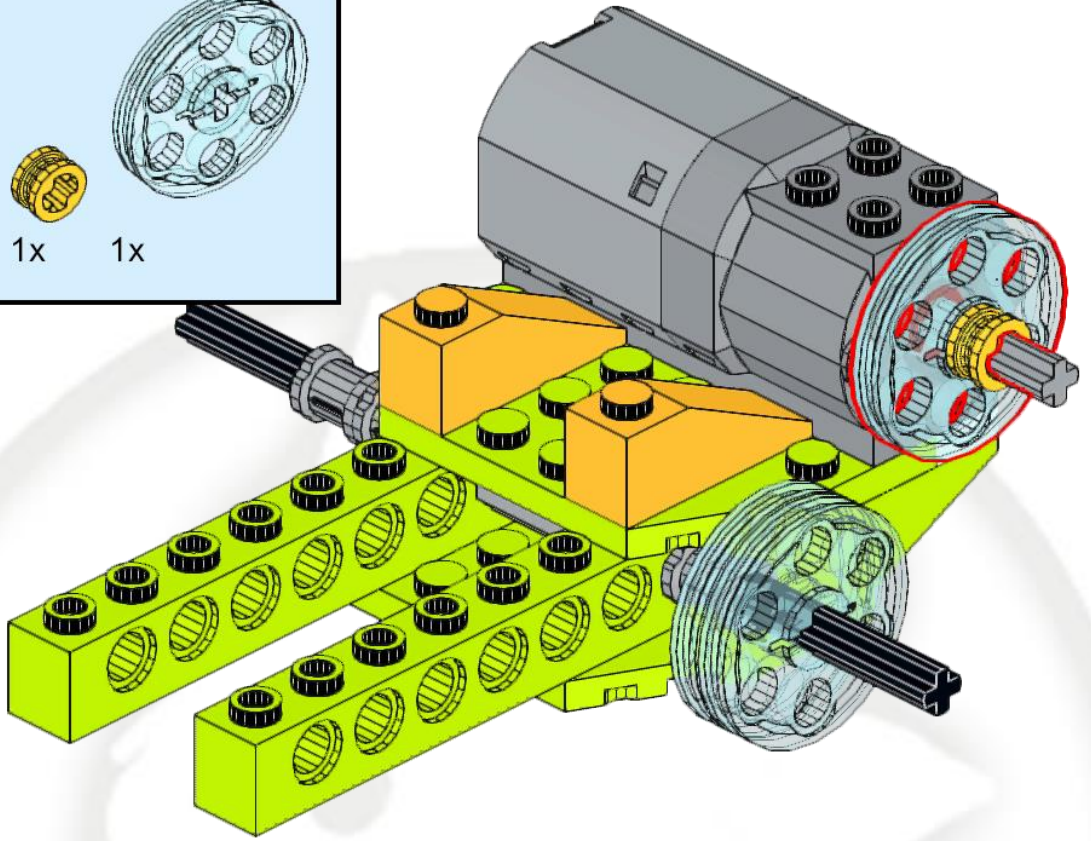
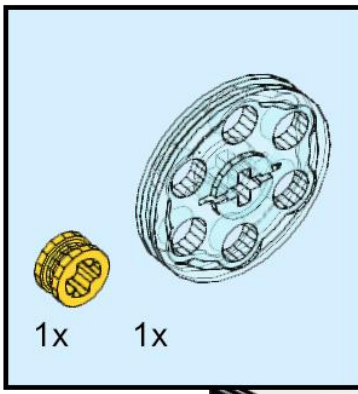
11



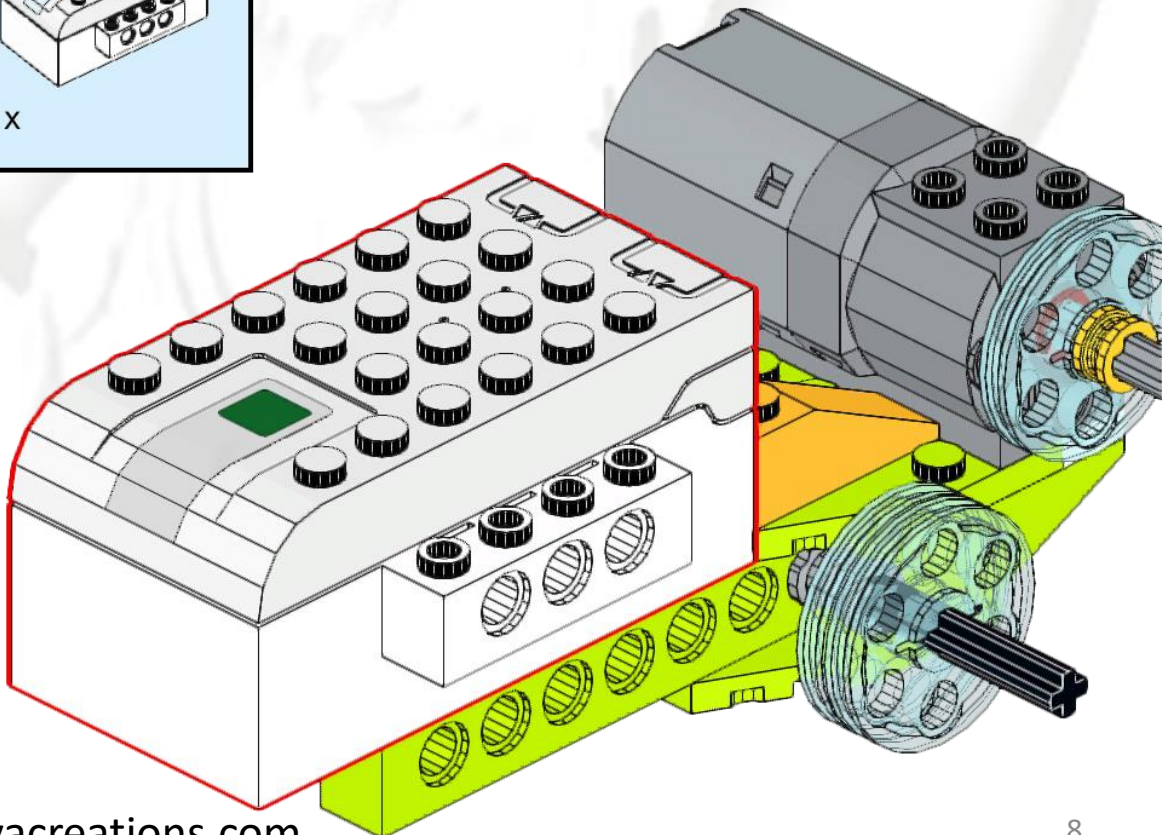
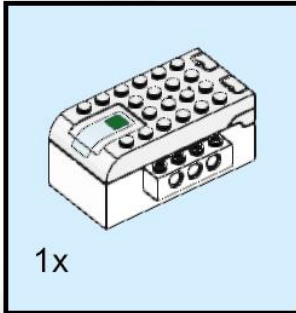
12



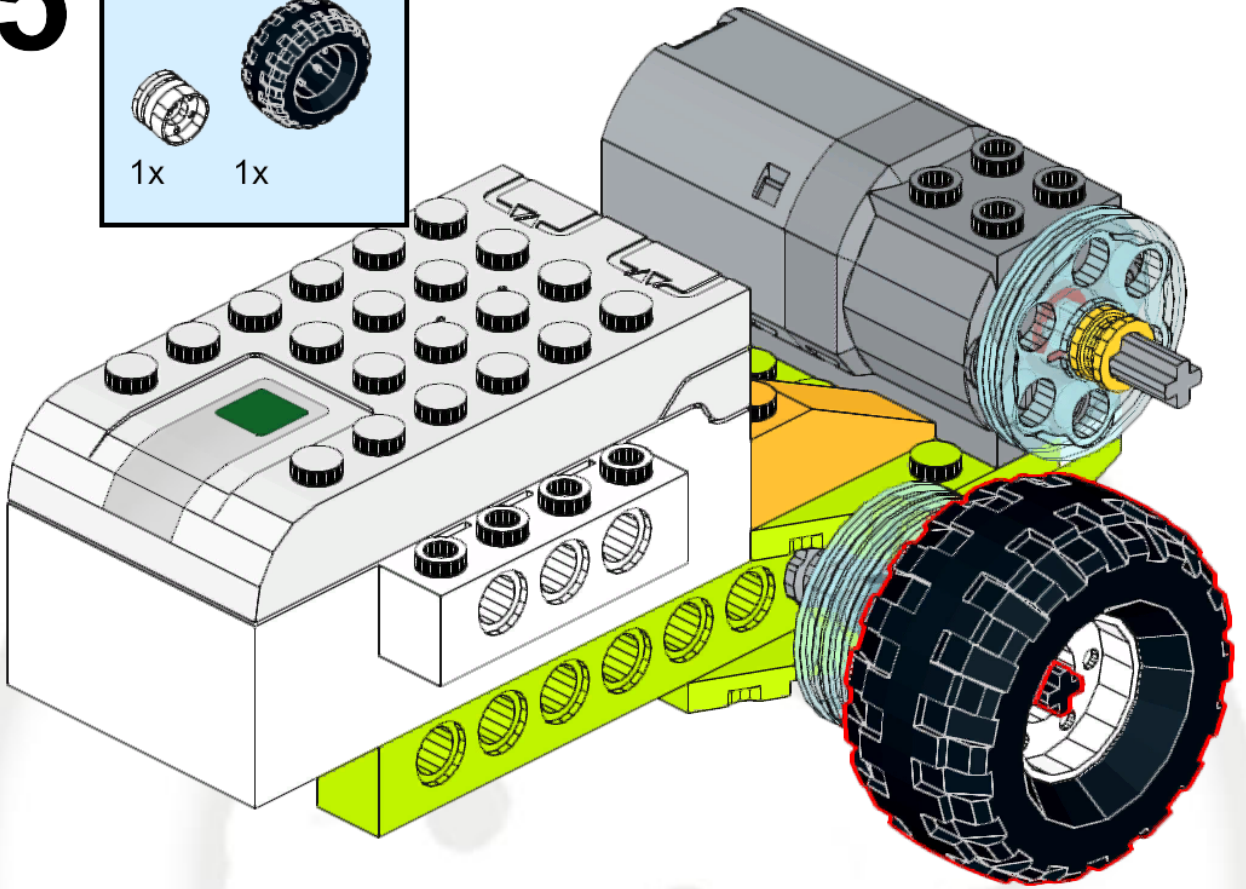
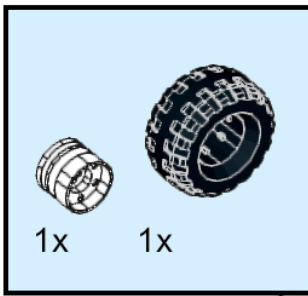
13



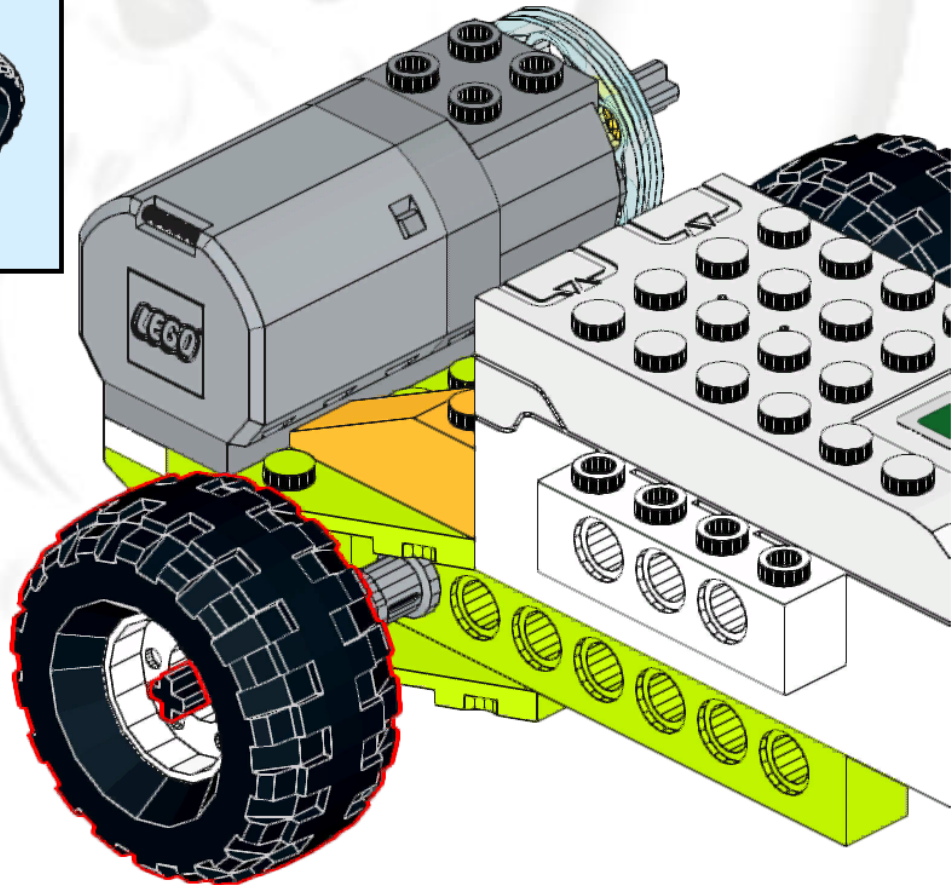
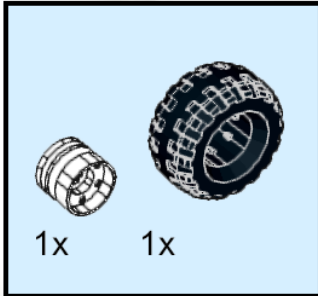
14



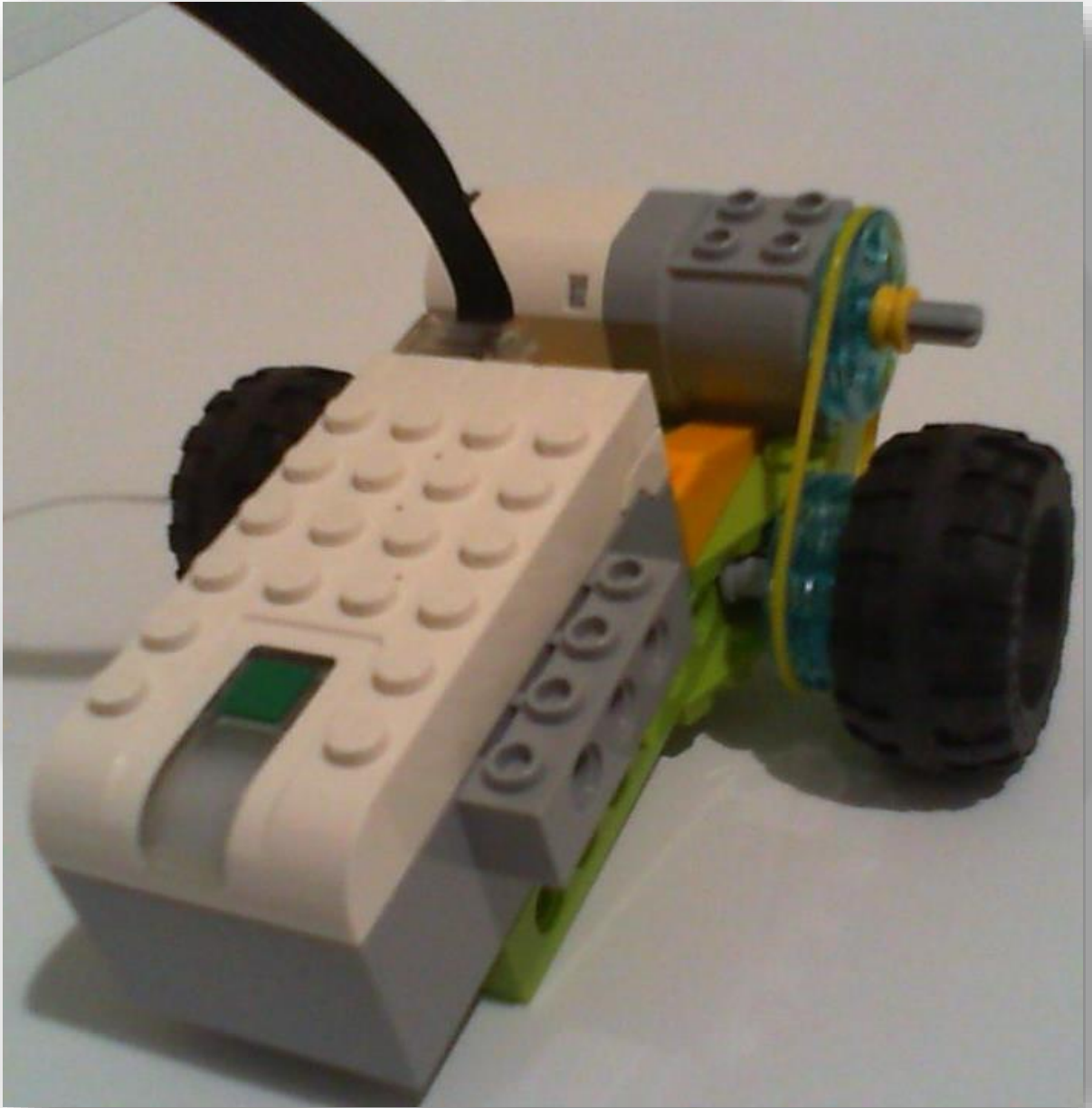
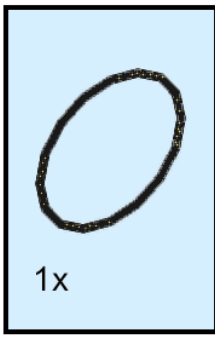
15



16



17



Rover

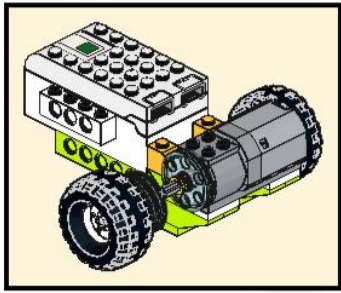


www.nayacreations.com

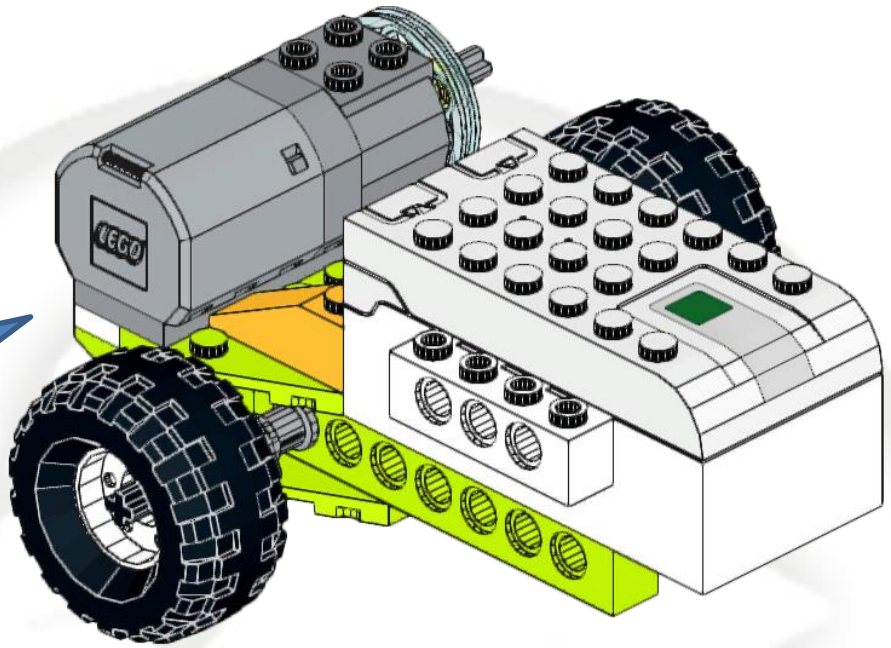


1

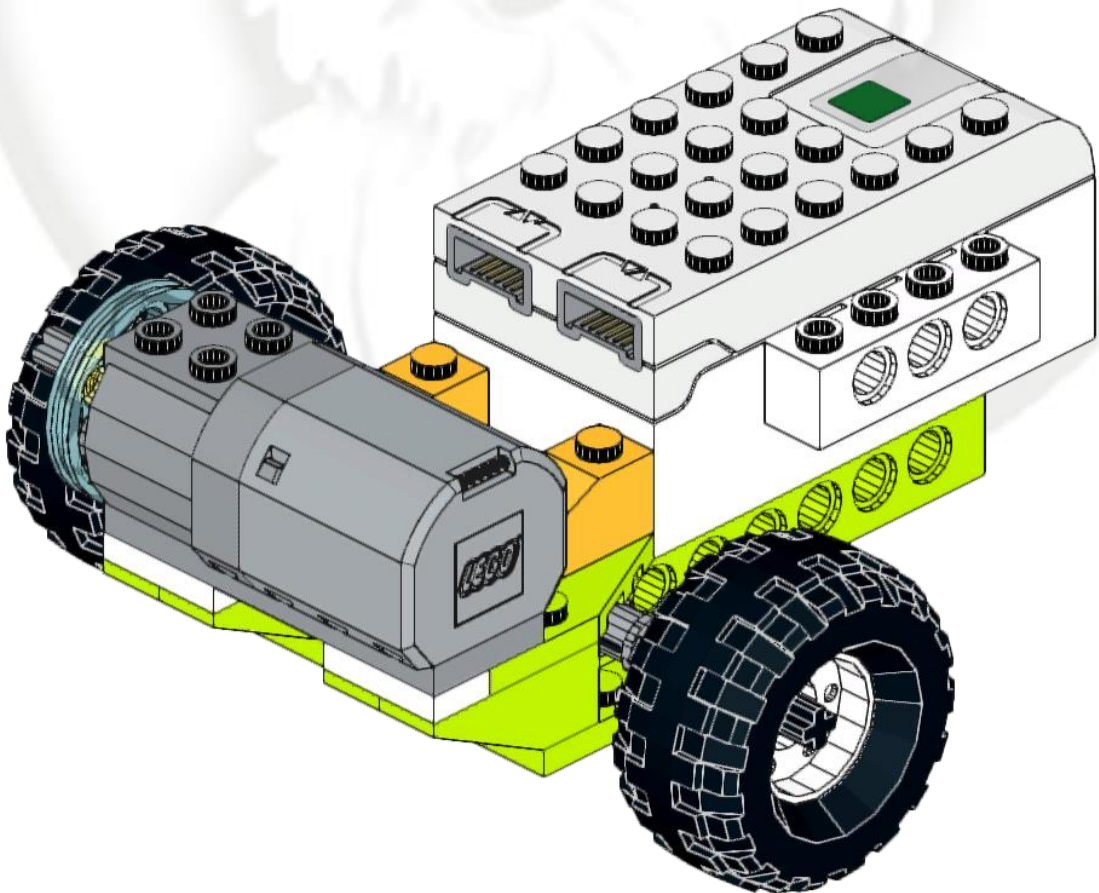
- 1x
- 3x
- 2x
- 1x
- 1x
- 4x
- 2x
- 2x
- 2x
- 3x
- 2x
- 2x
- 1x
- 2x
- 1x



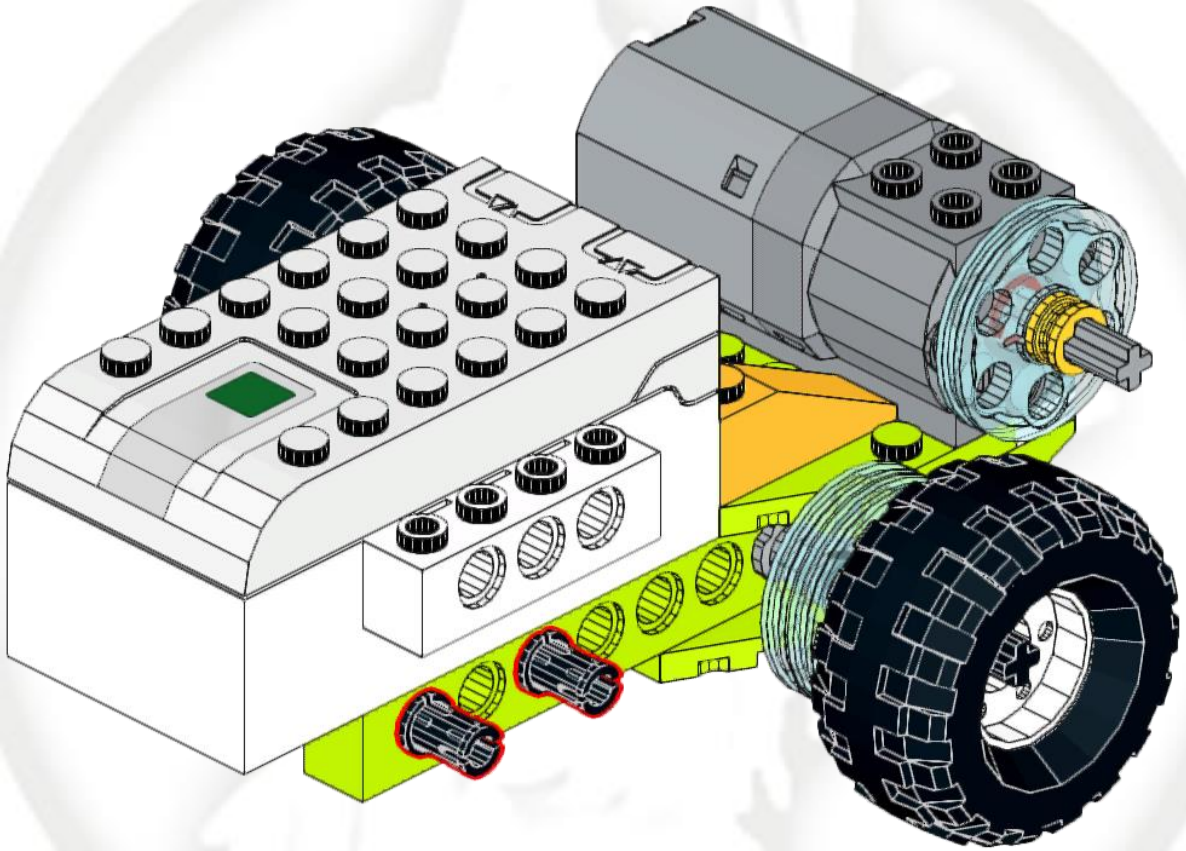
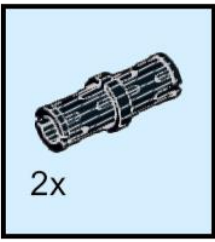
Drive



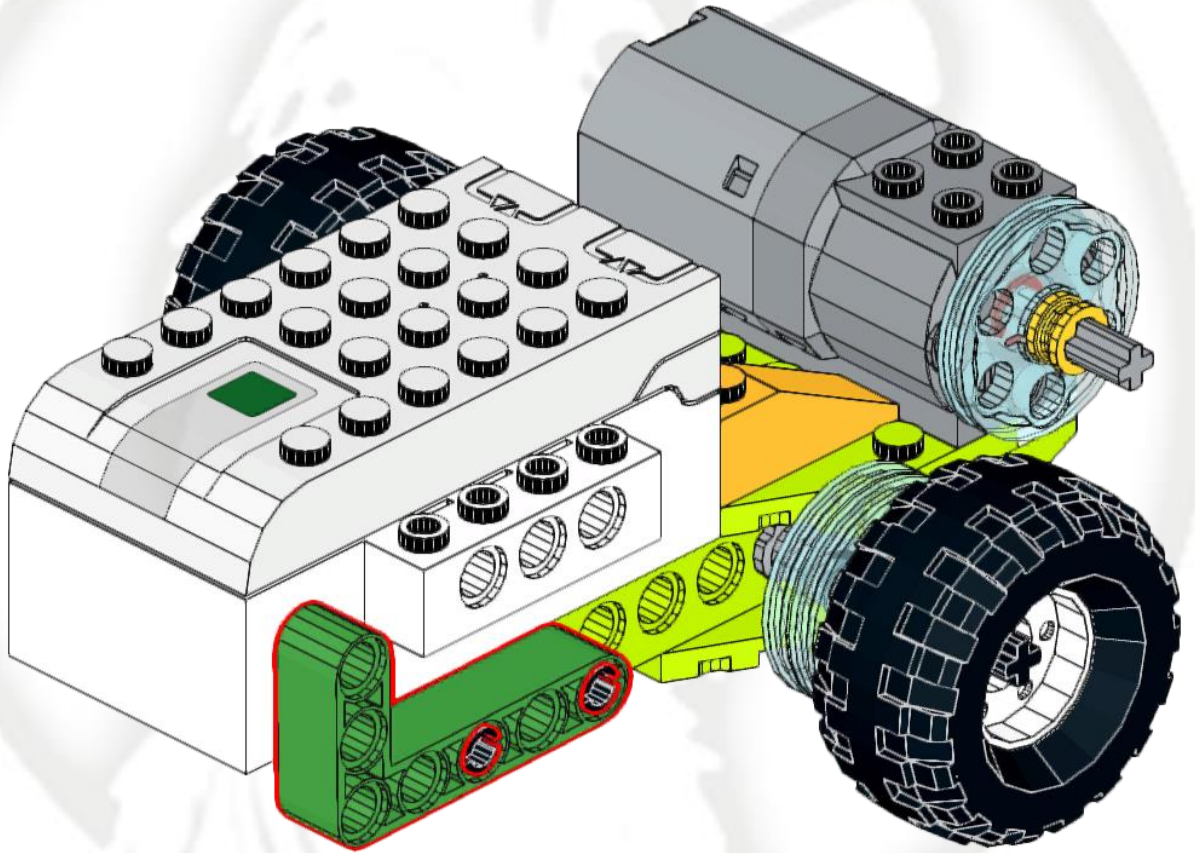
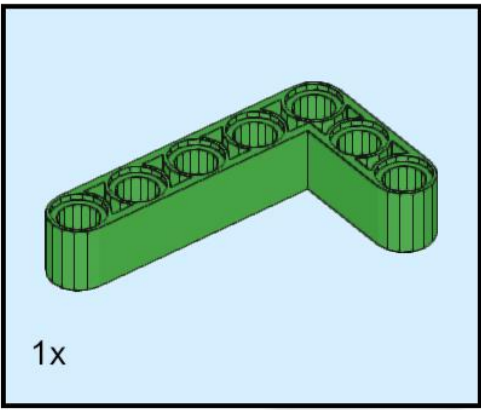
2



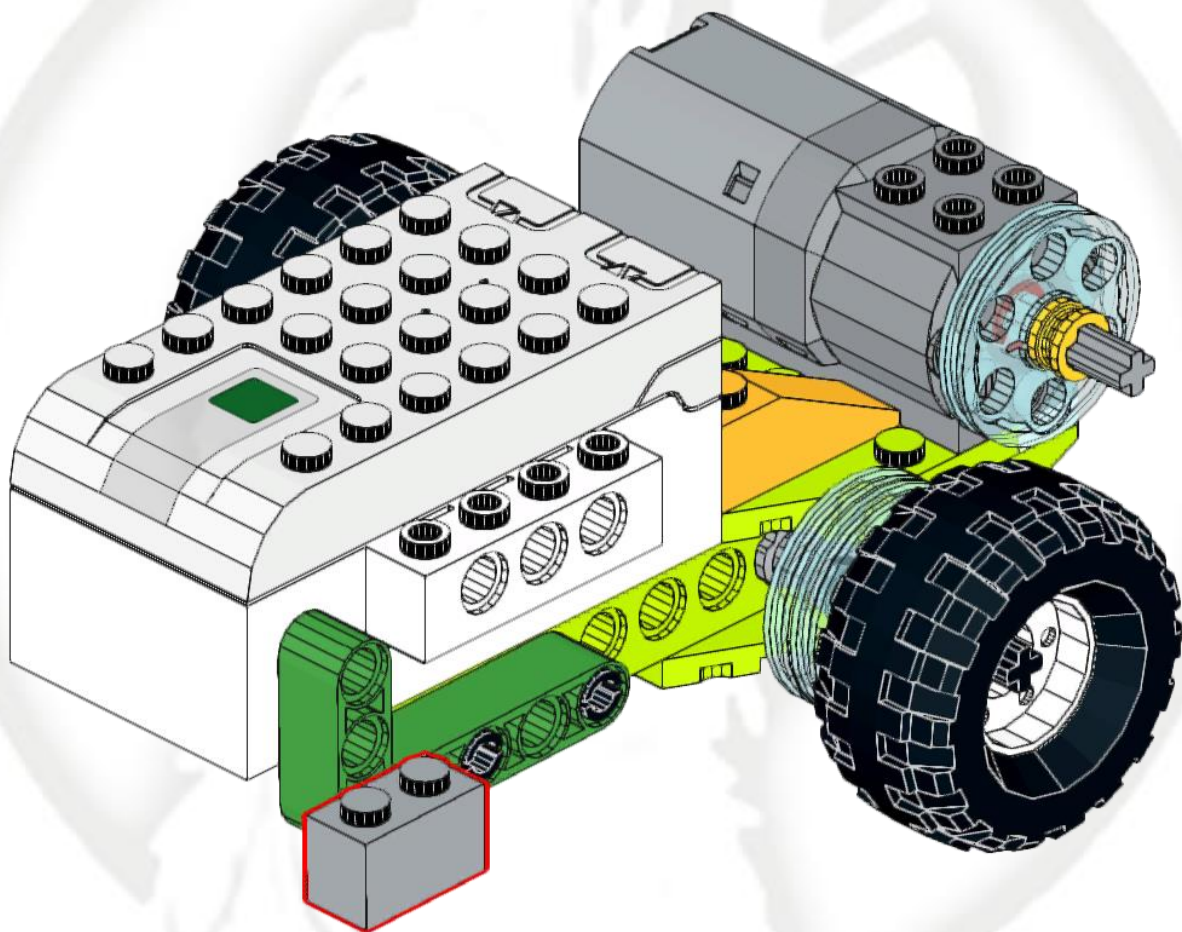
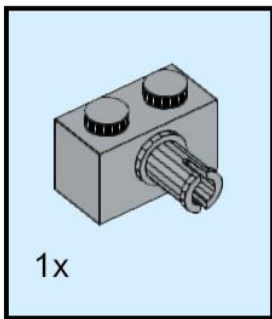
3



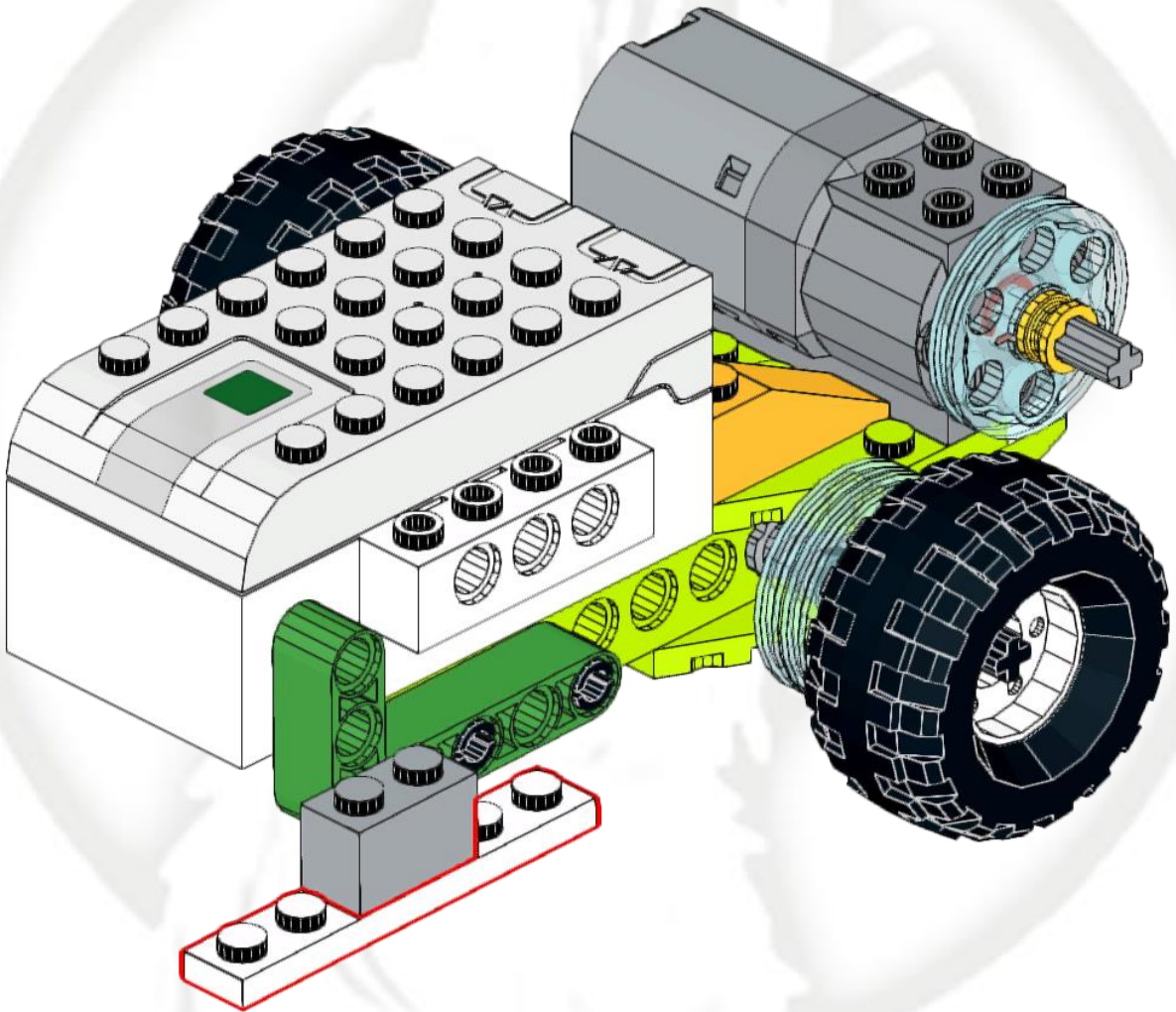
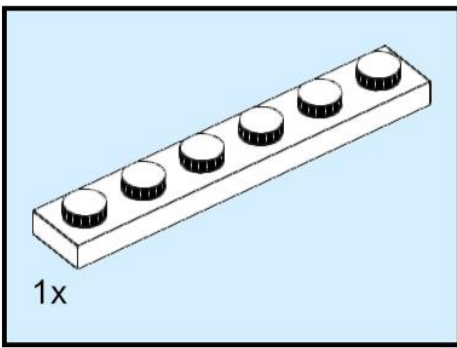
4



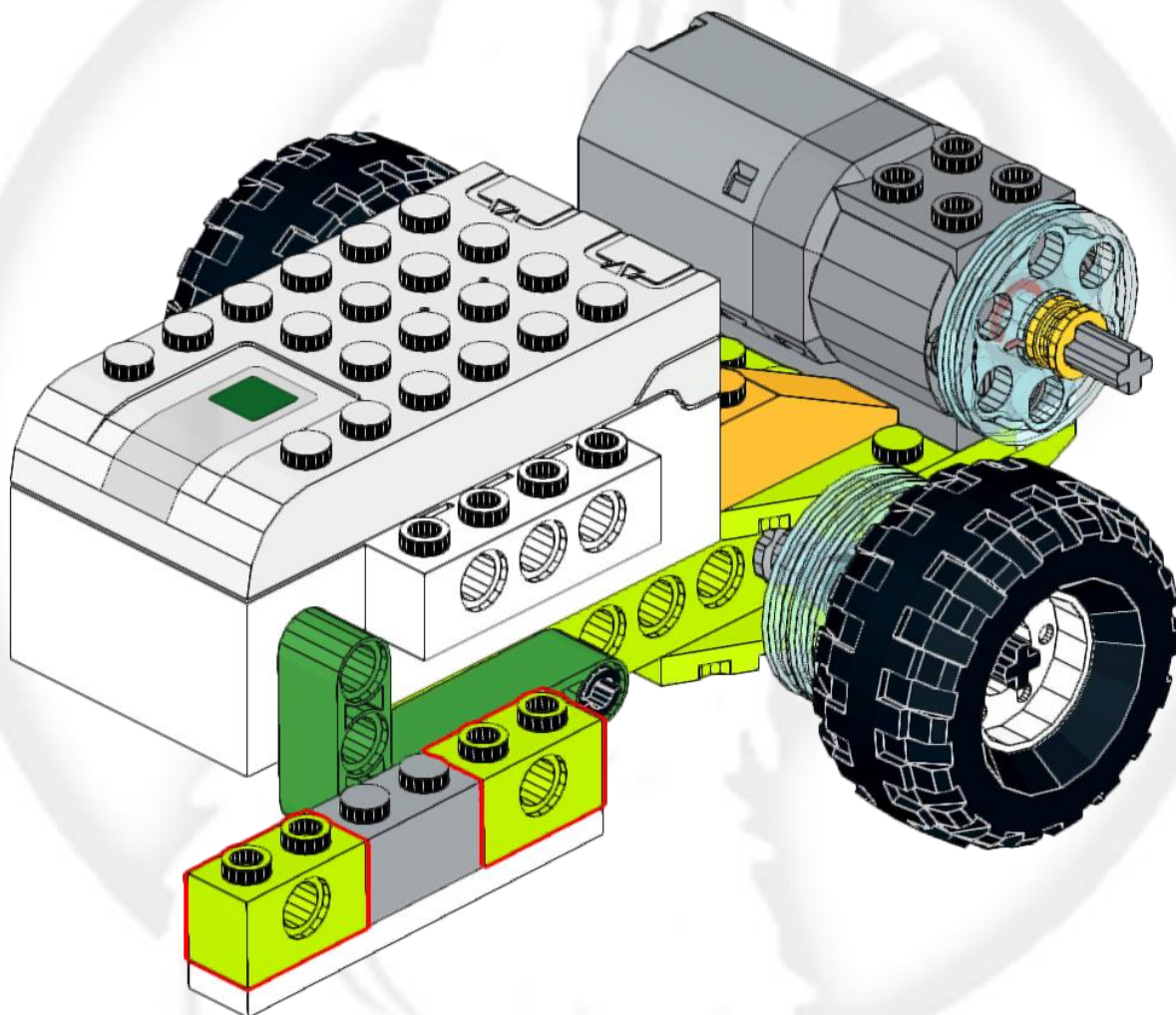
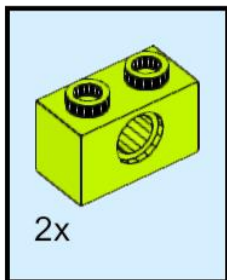
5



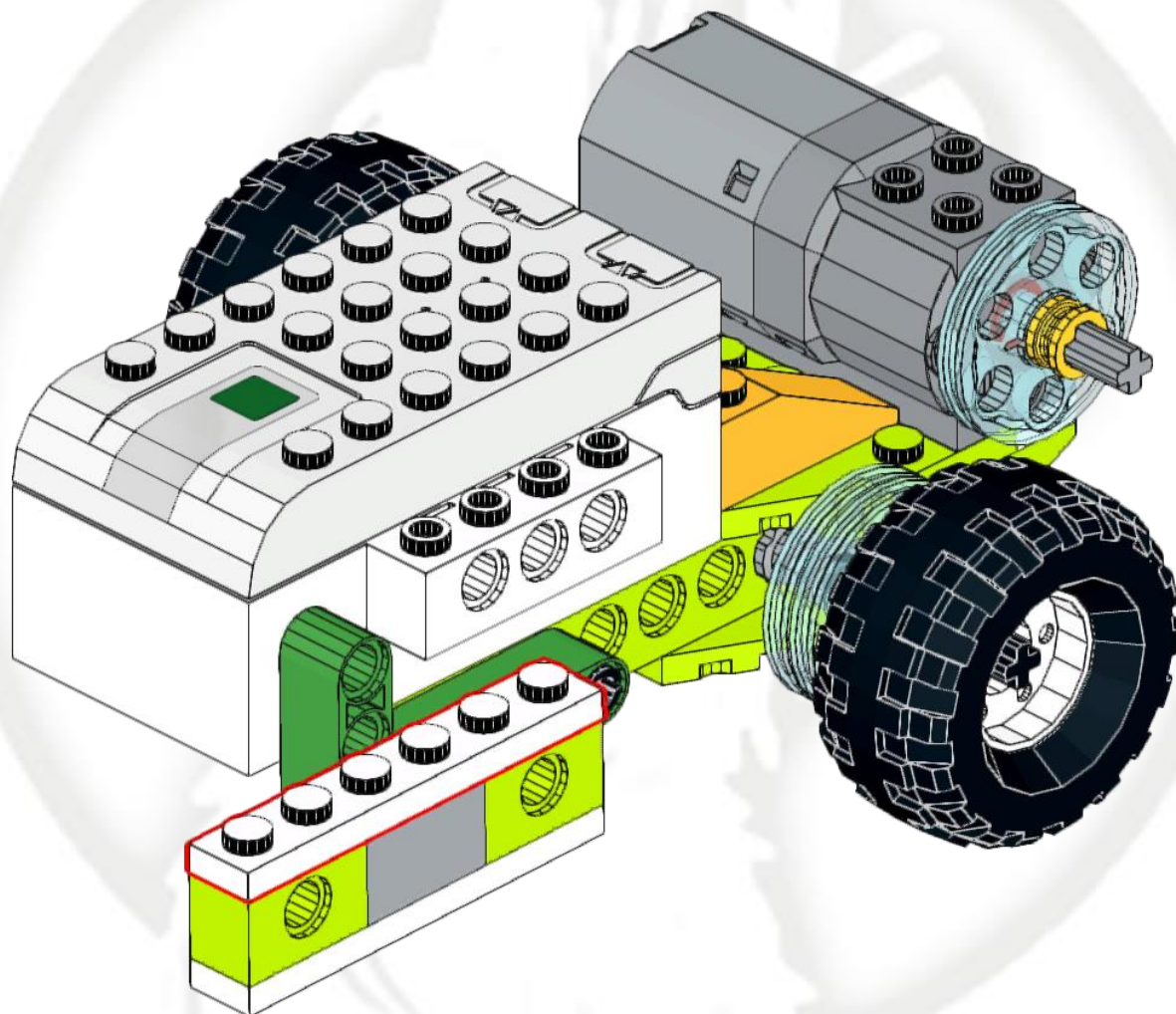
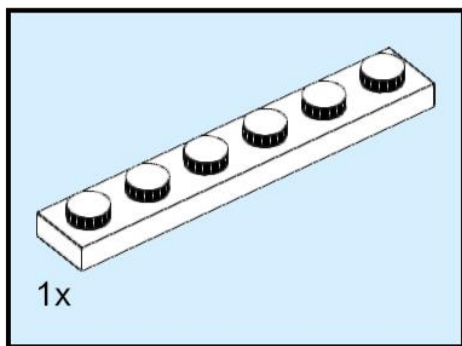
6



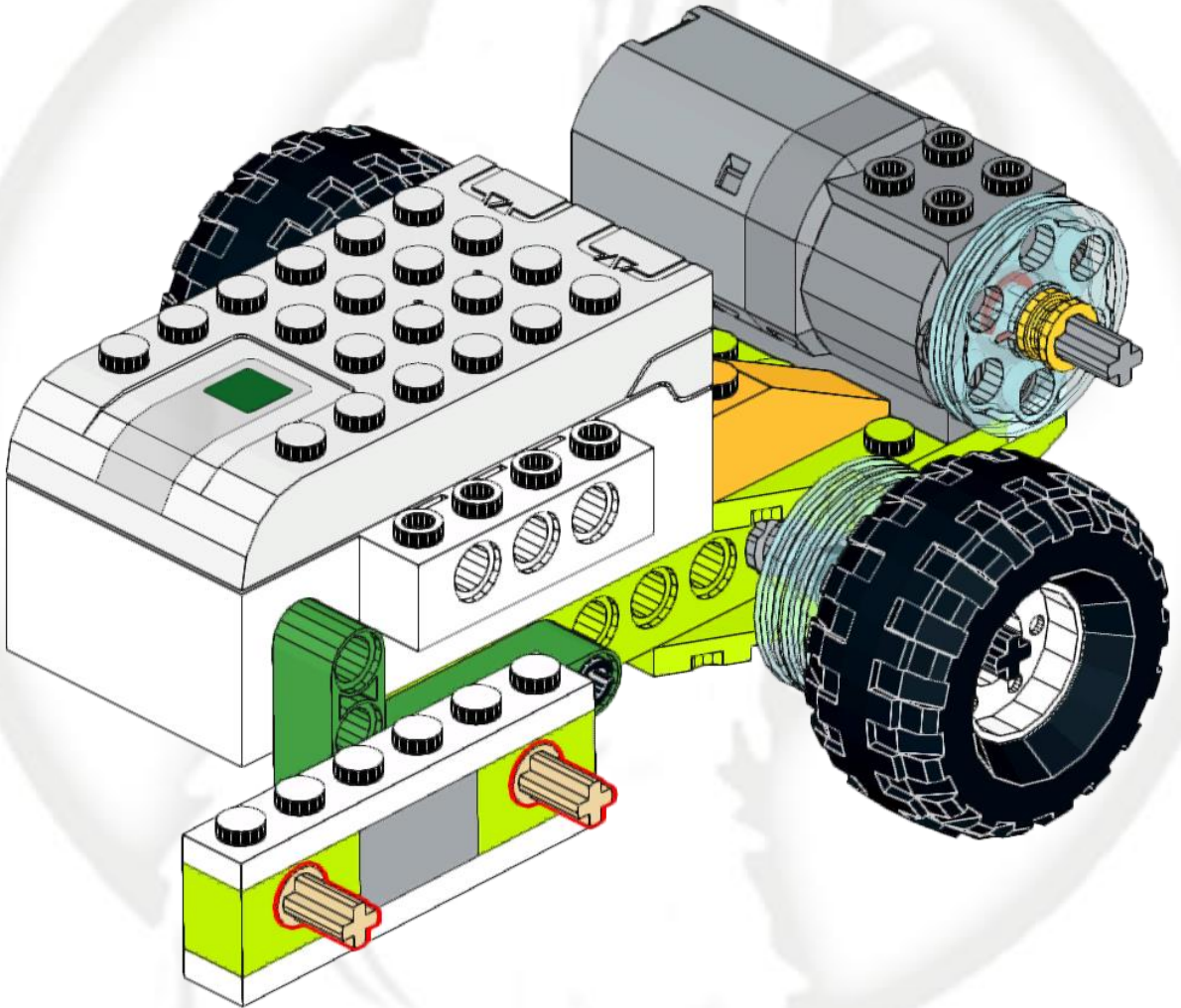
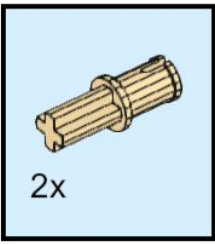
7



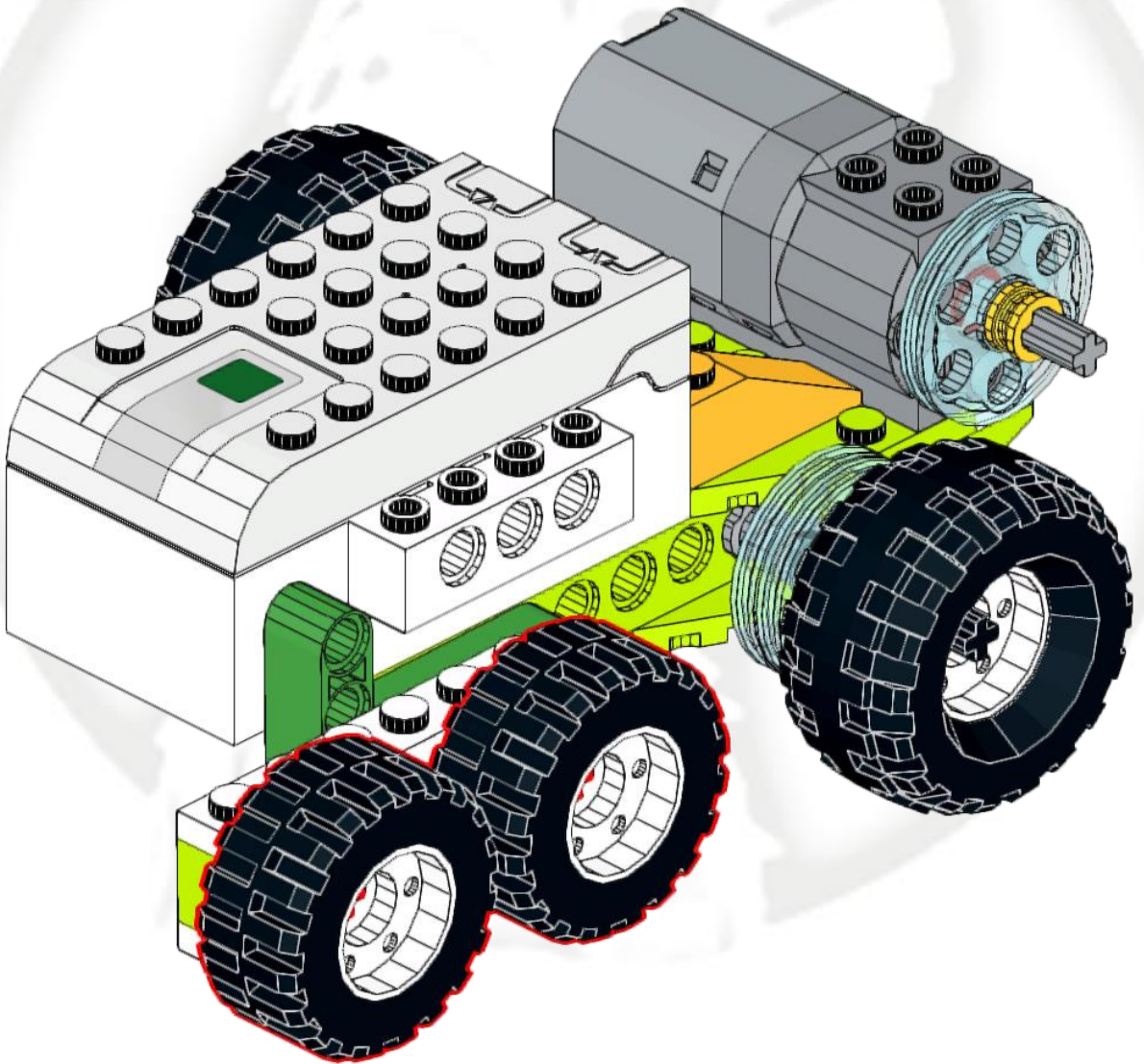
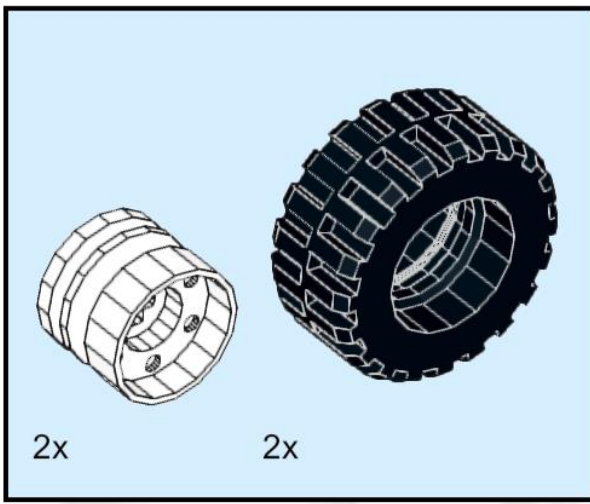
8



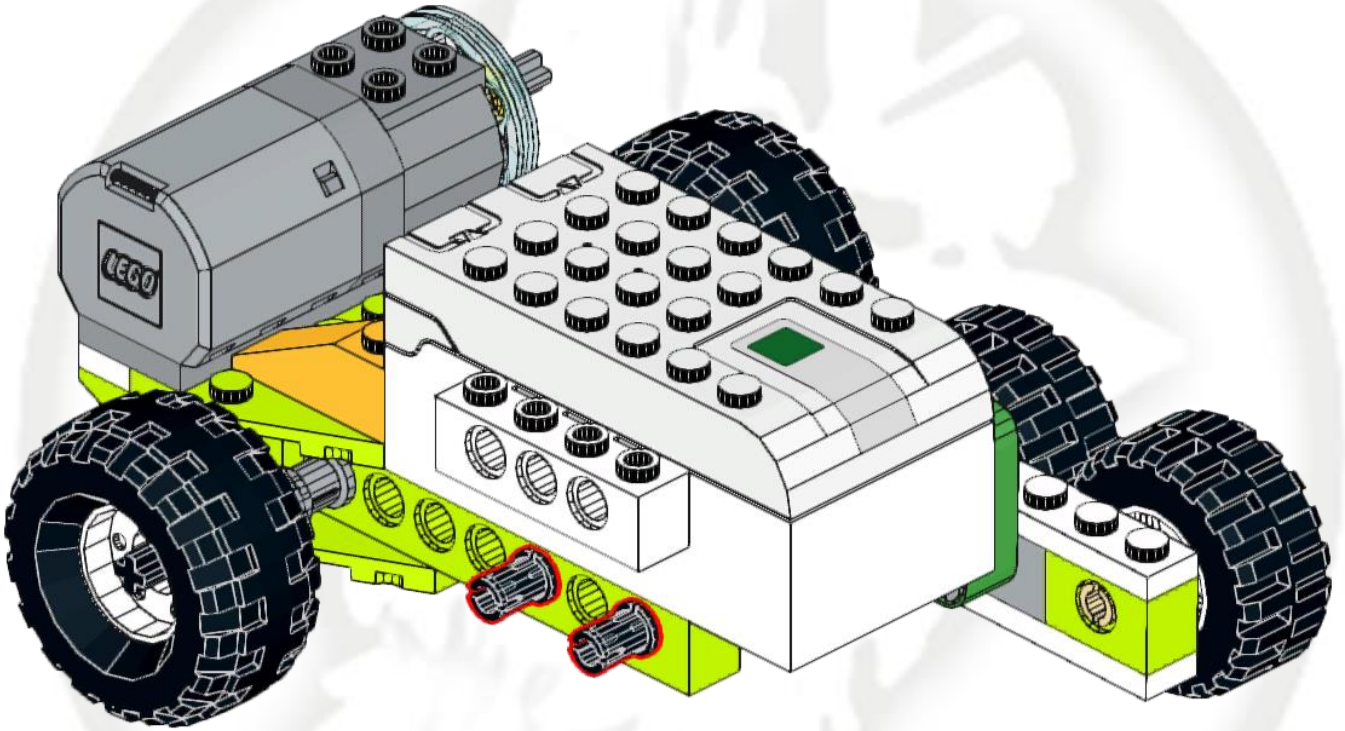
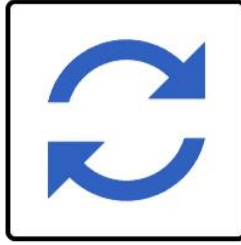
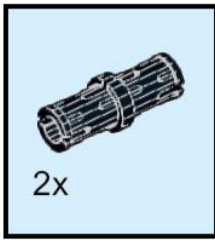
9



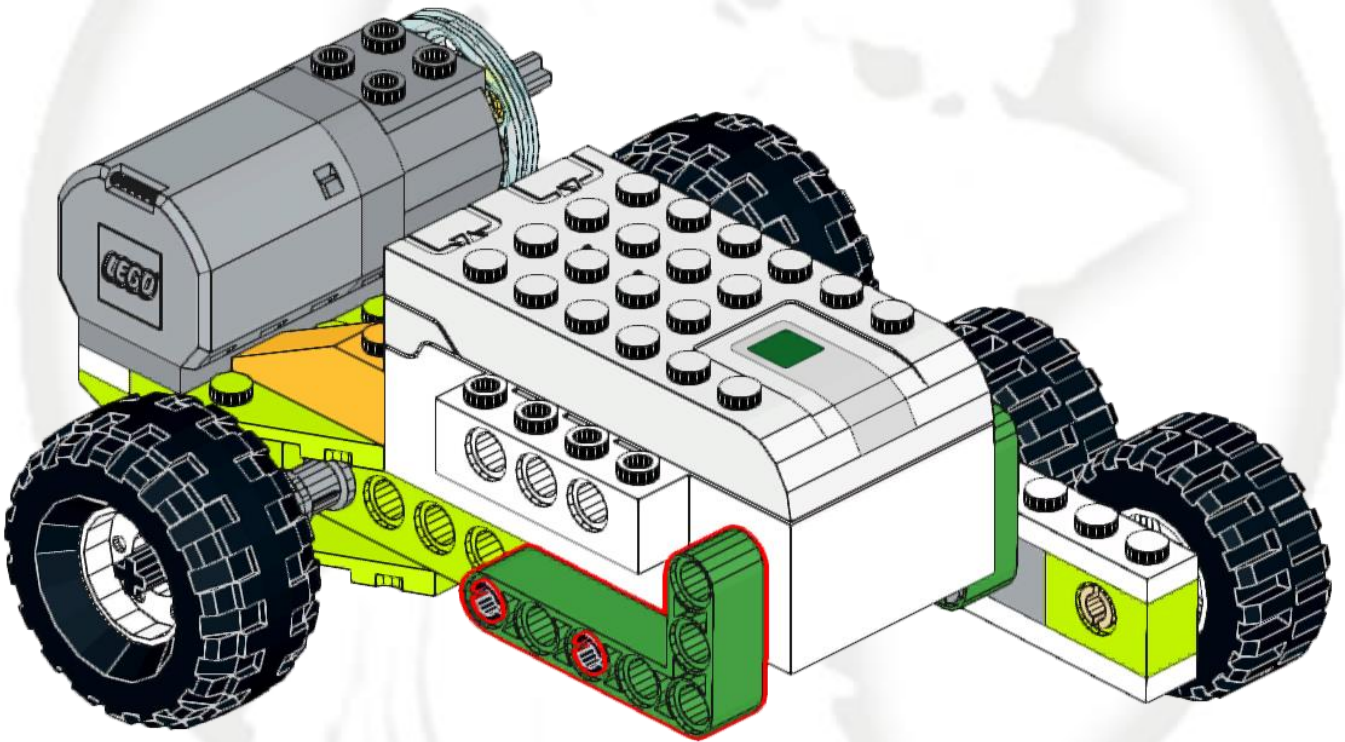
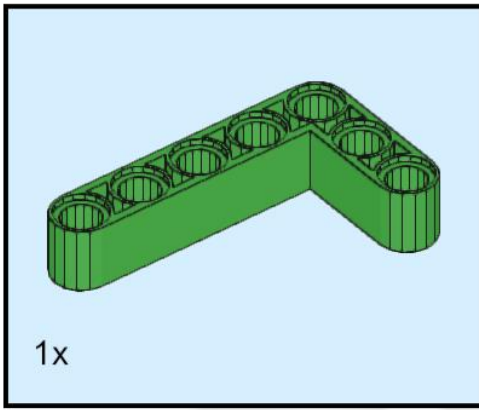
10



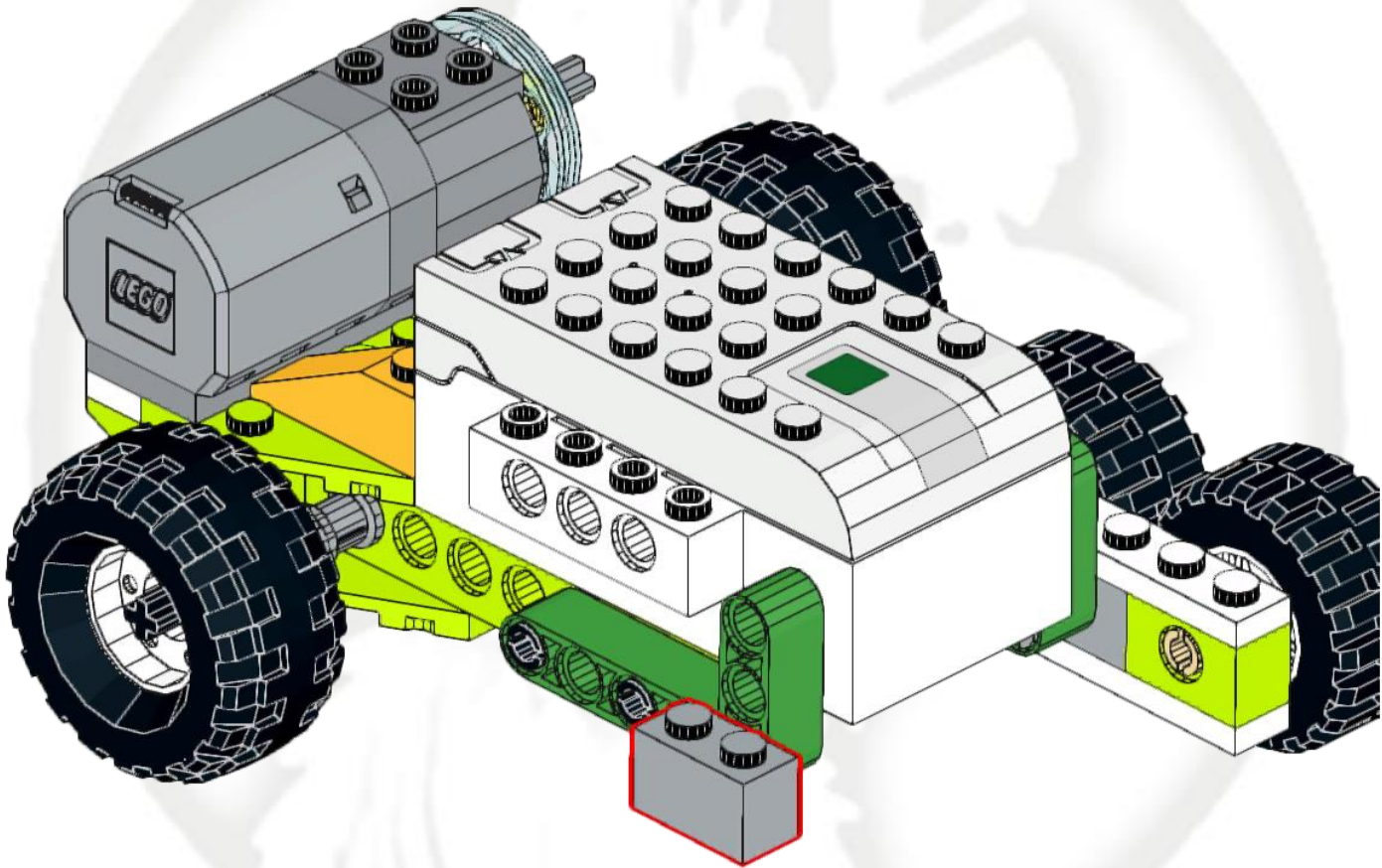
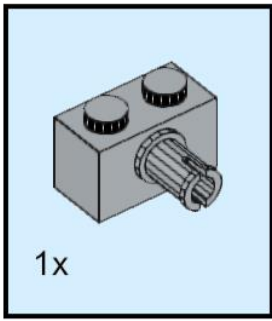
11



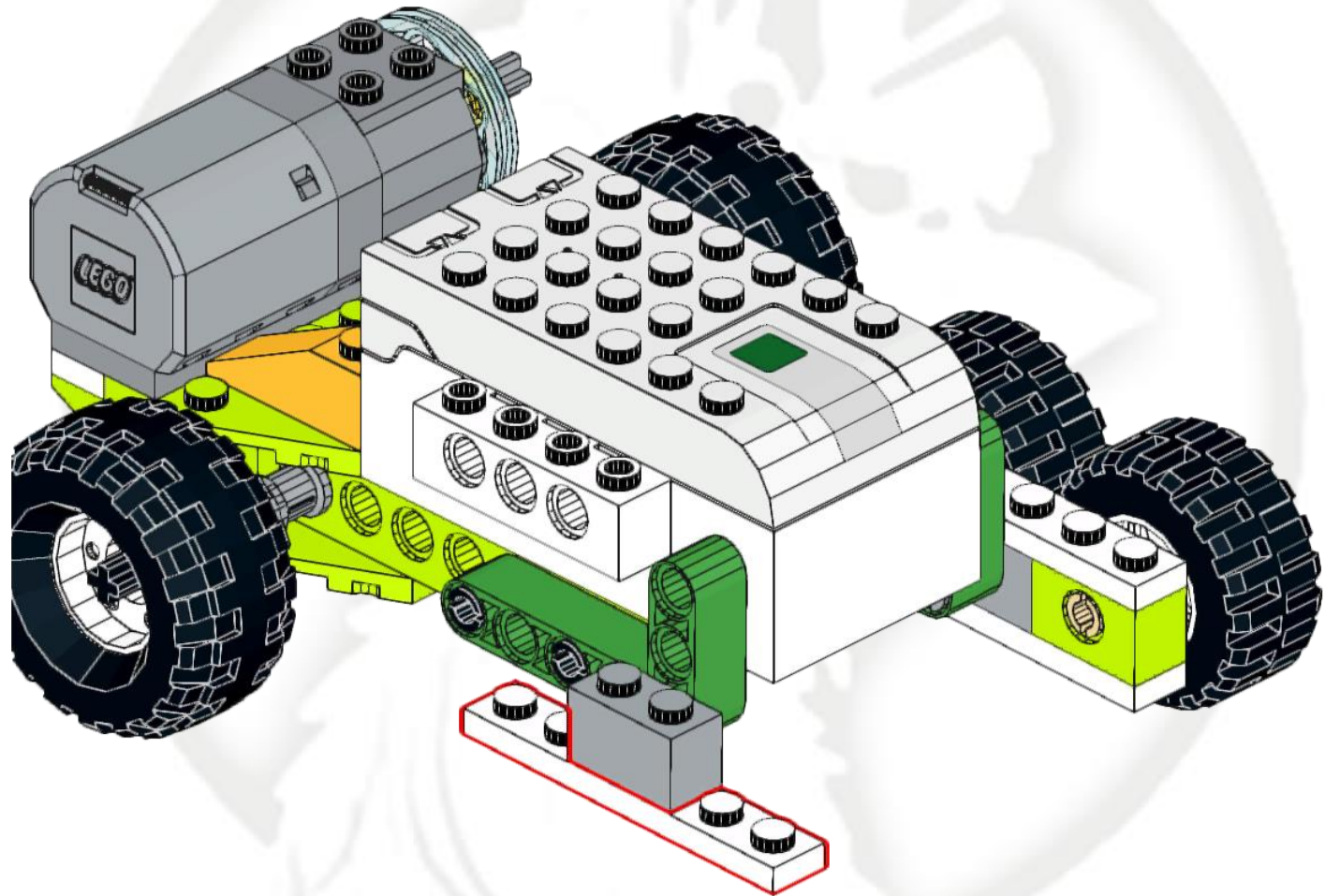
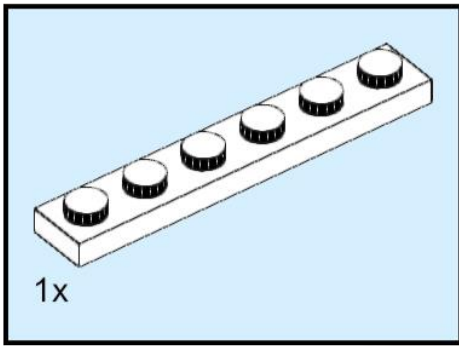
12



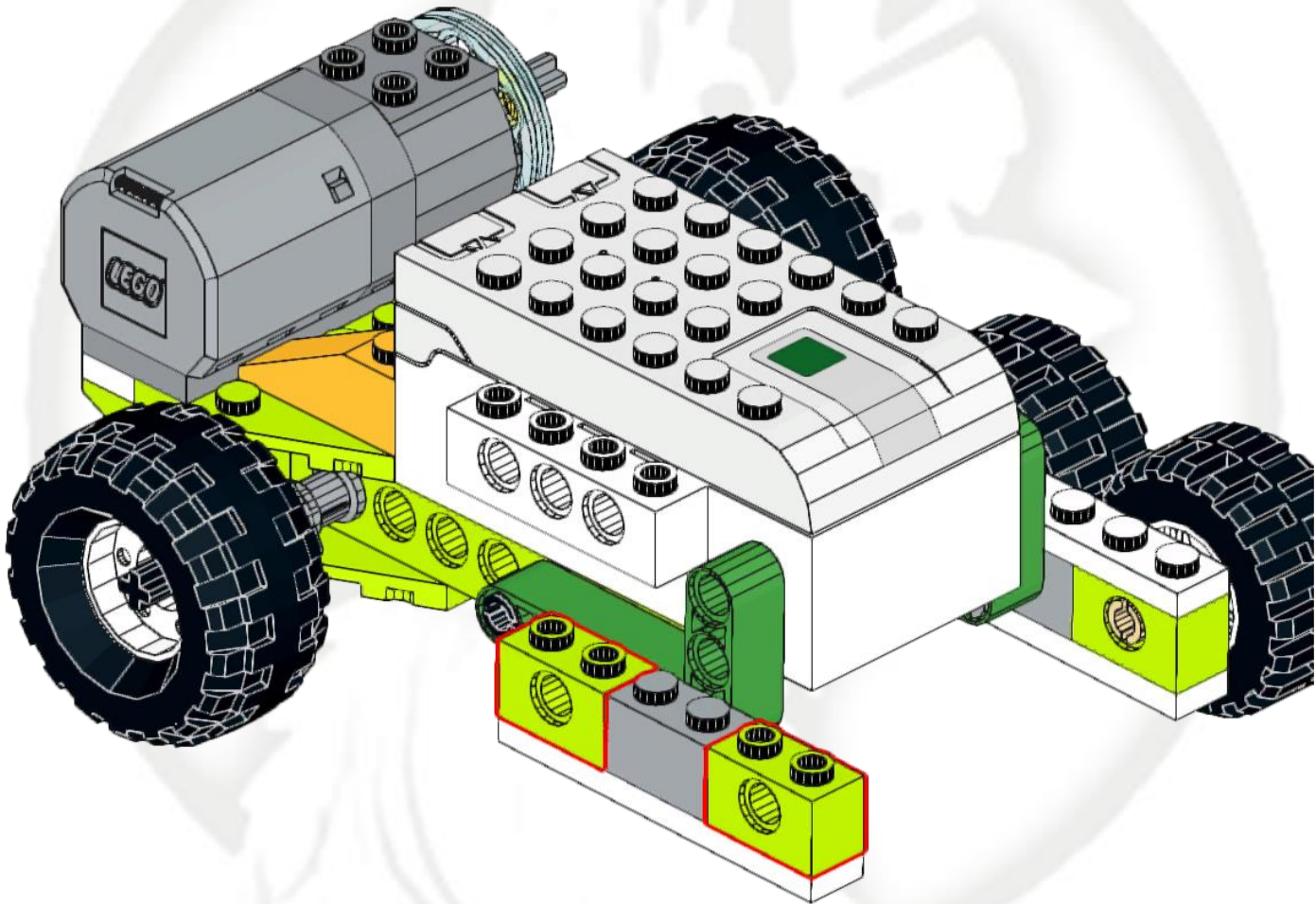
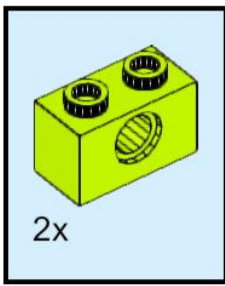
13



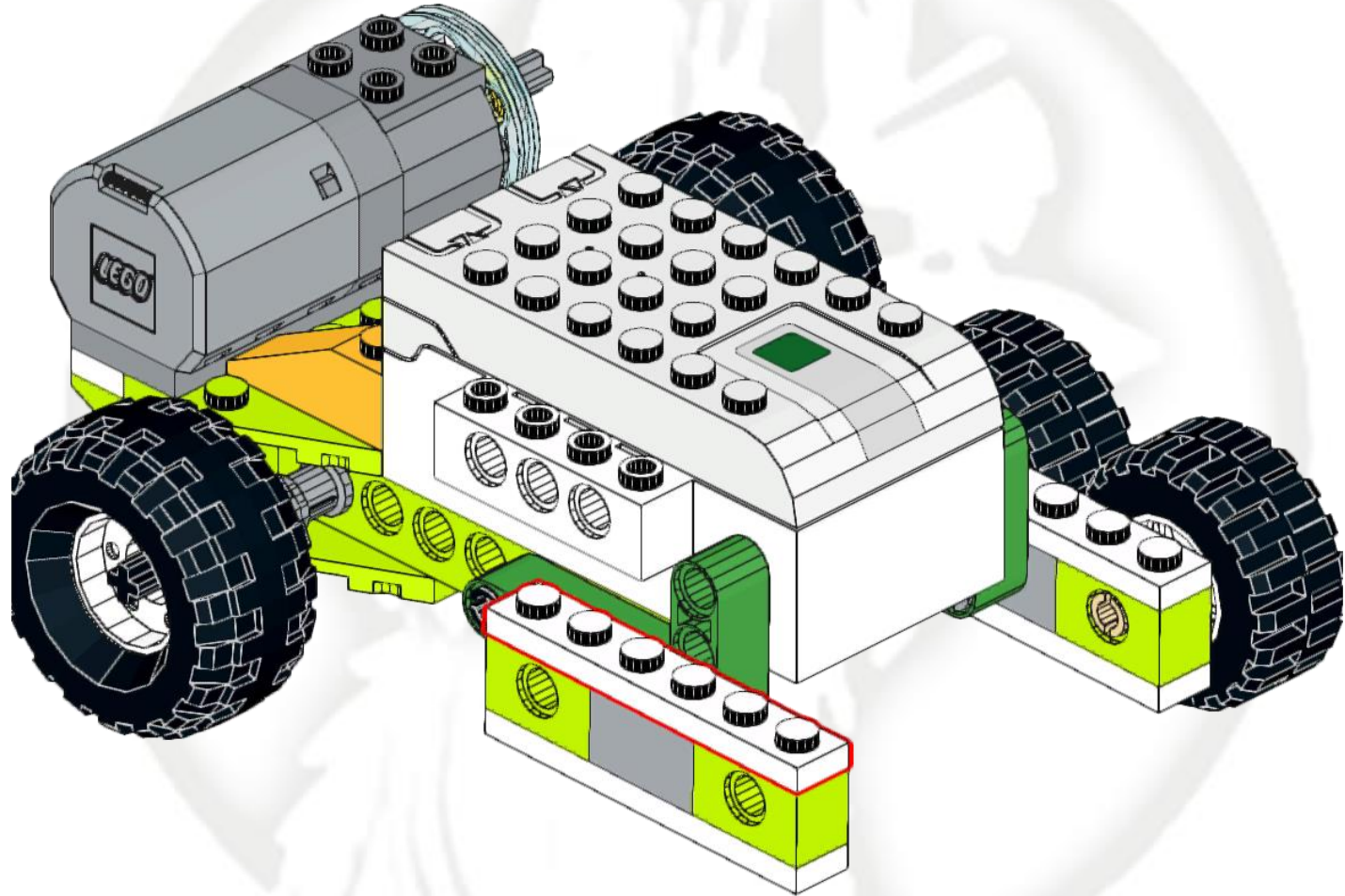
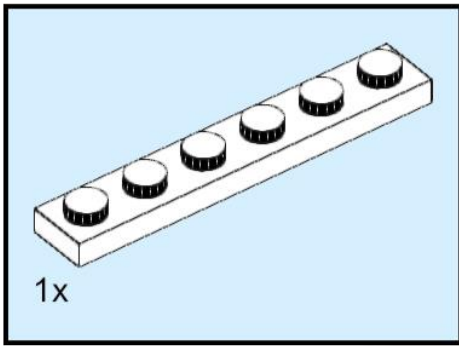
14



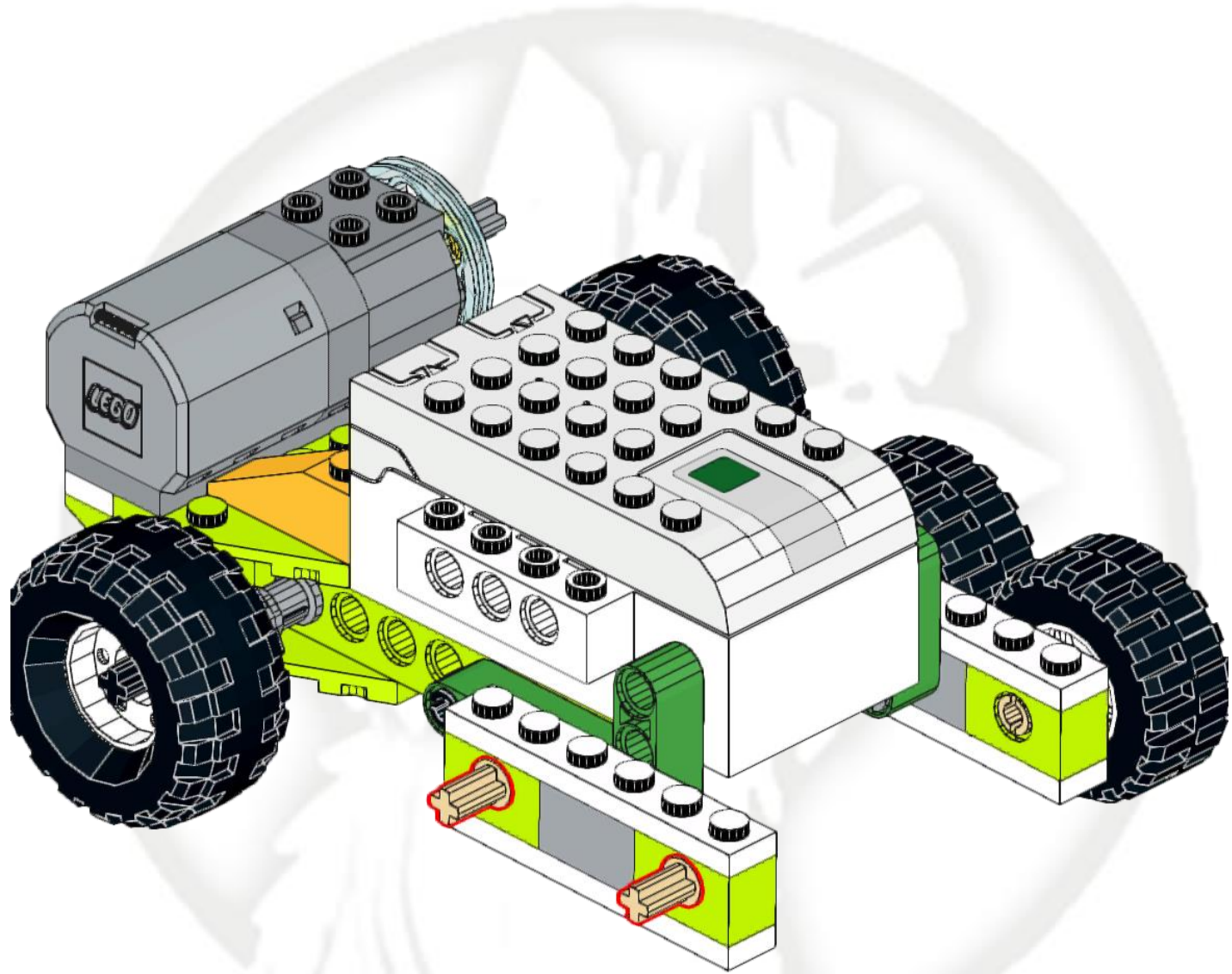
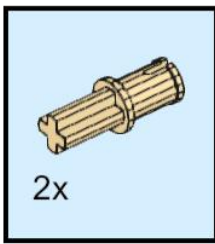
15



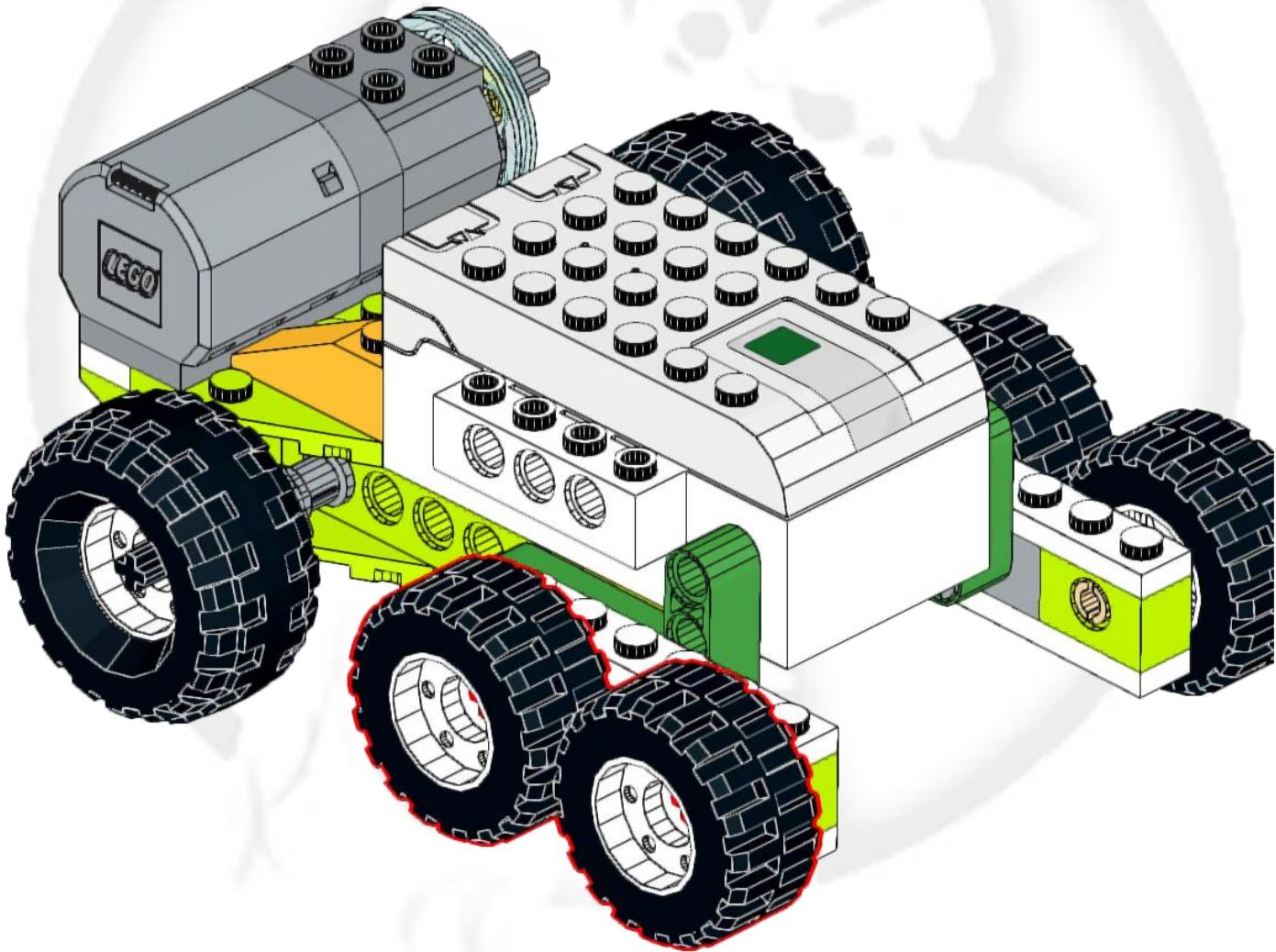
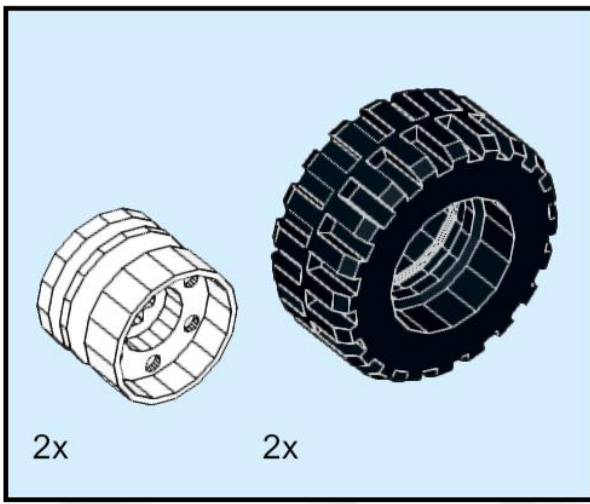
16



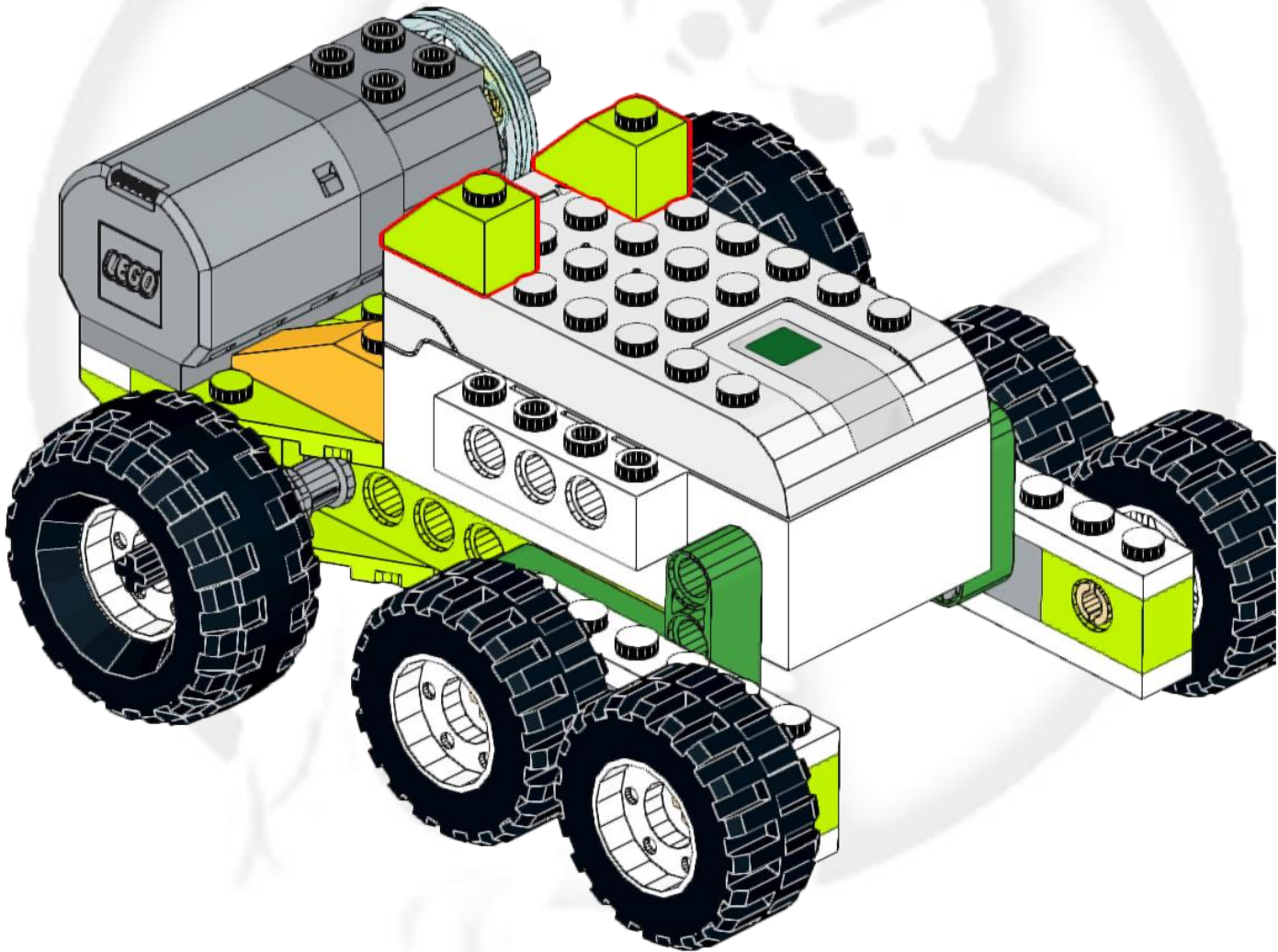
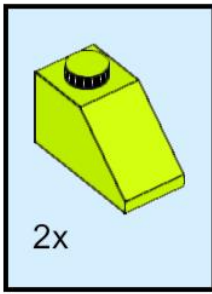
17



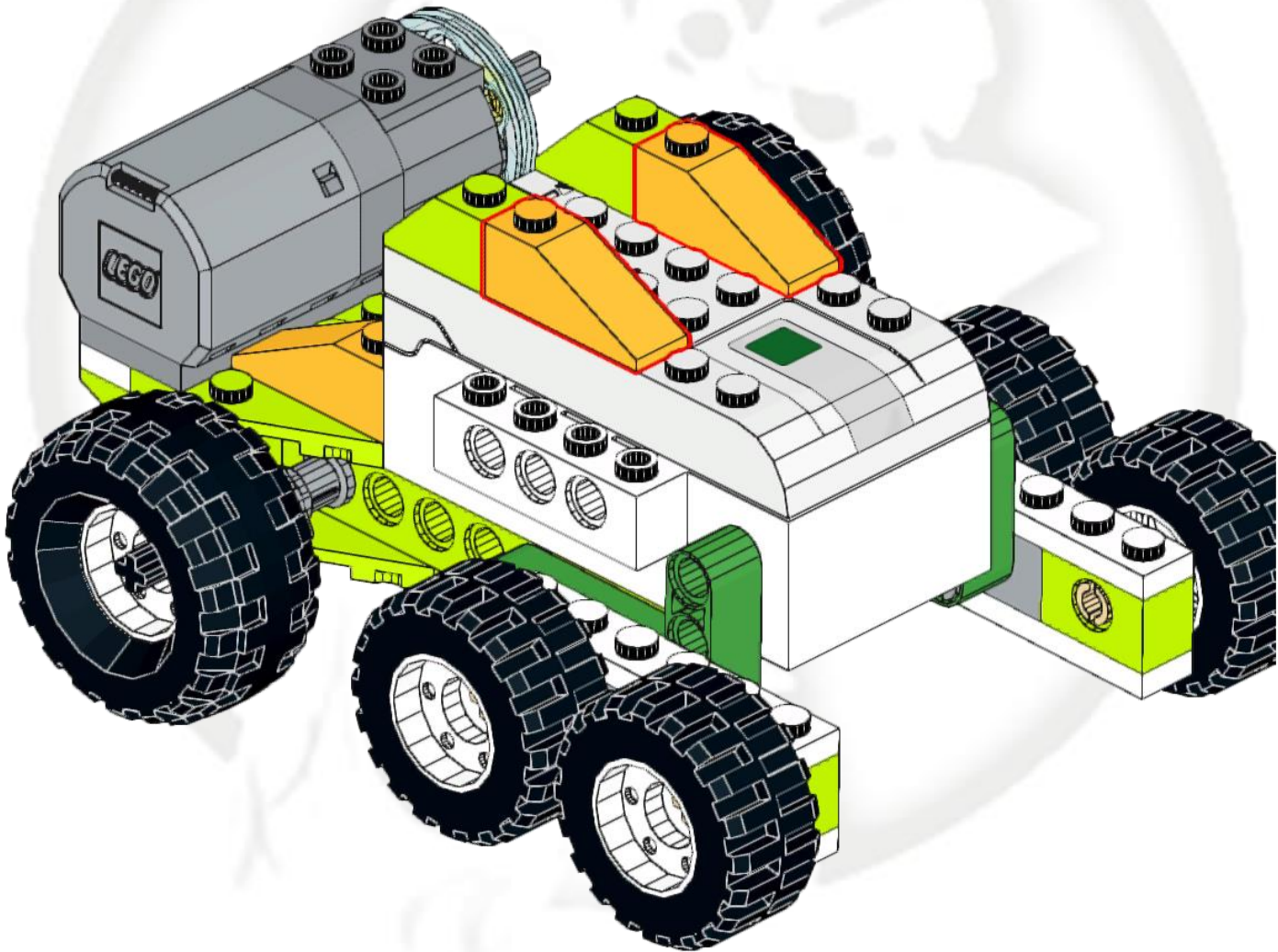
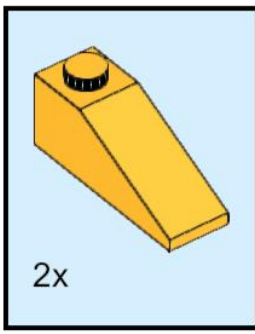
18



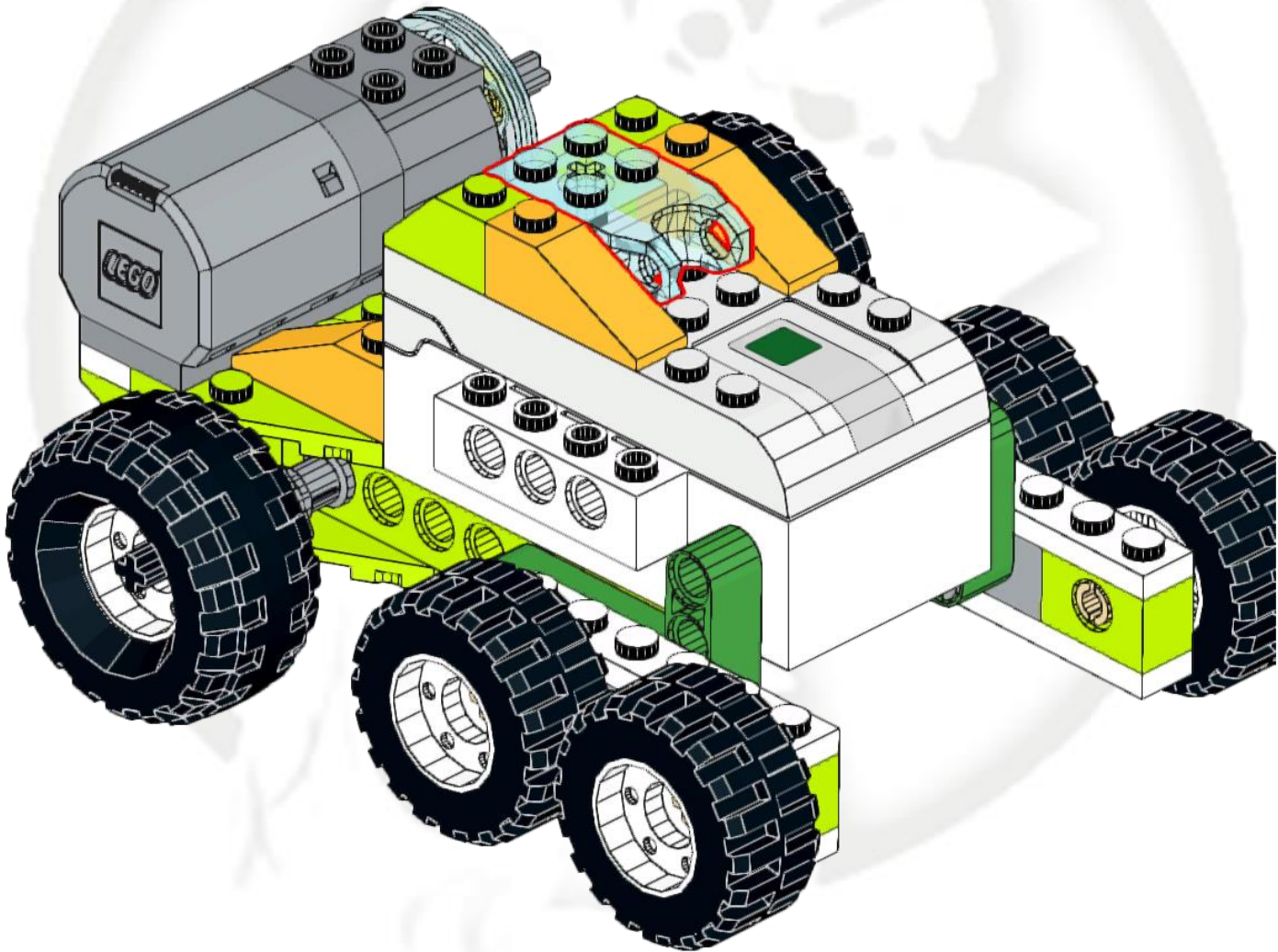
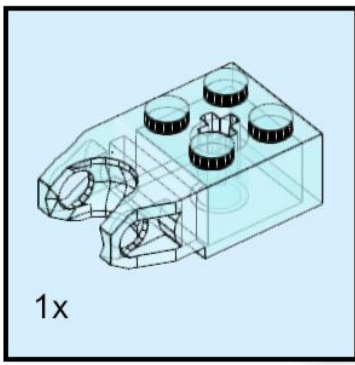
19



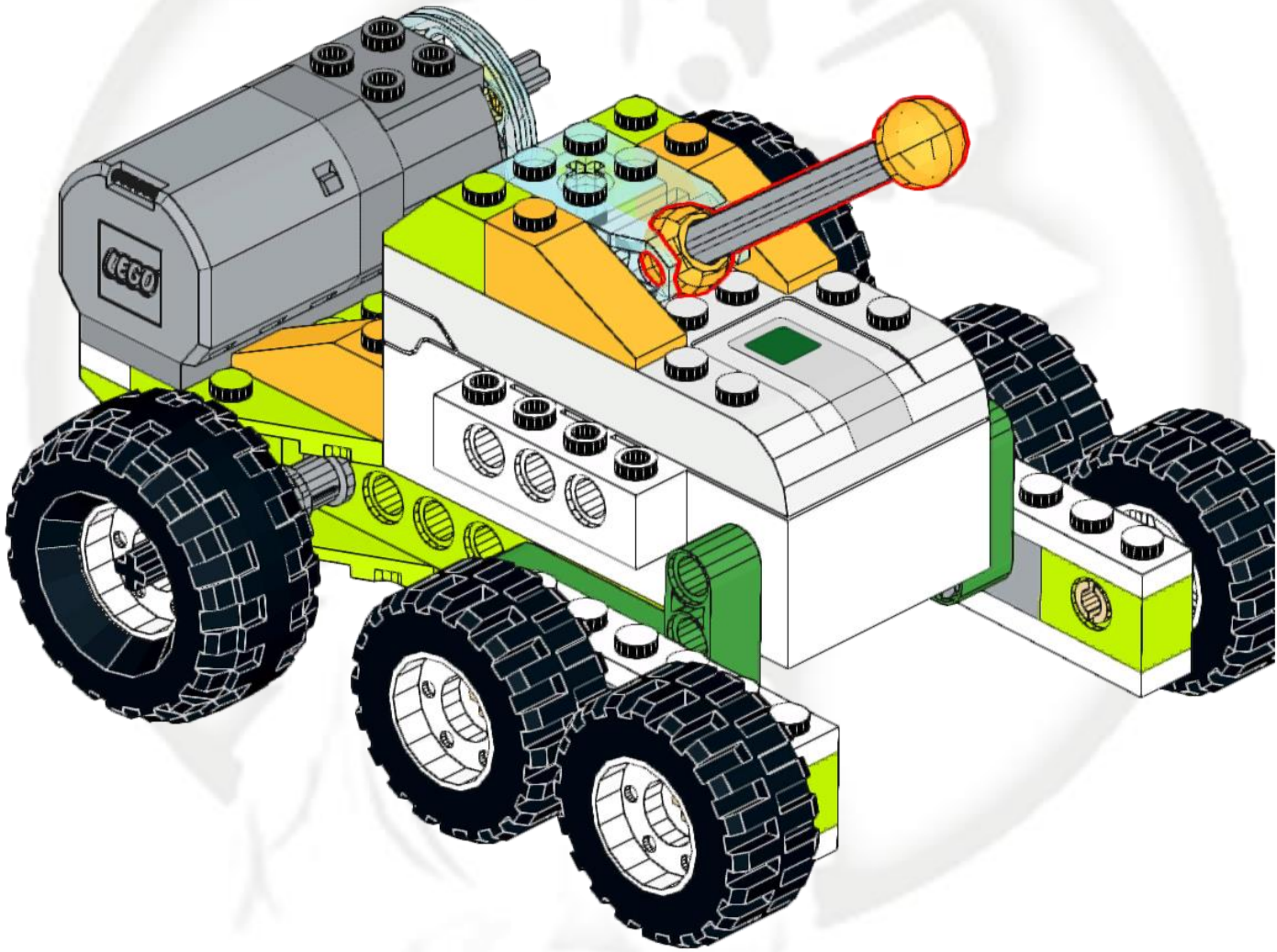
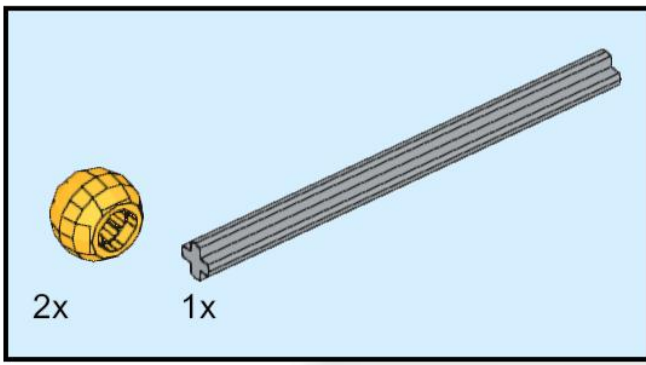
20



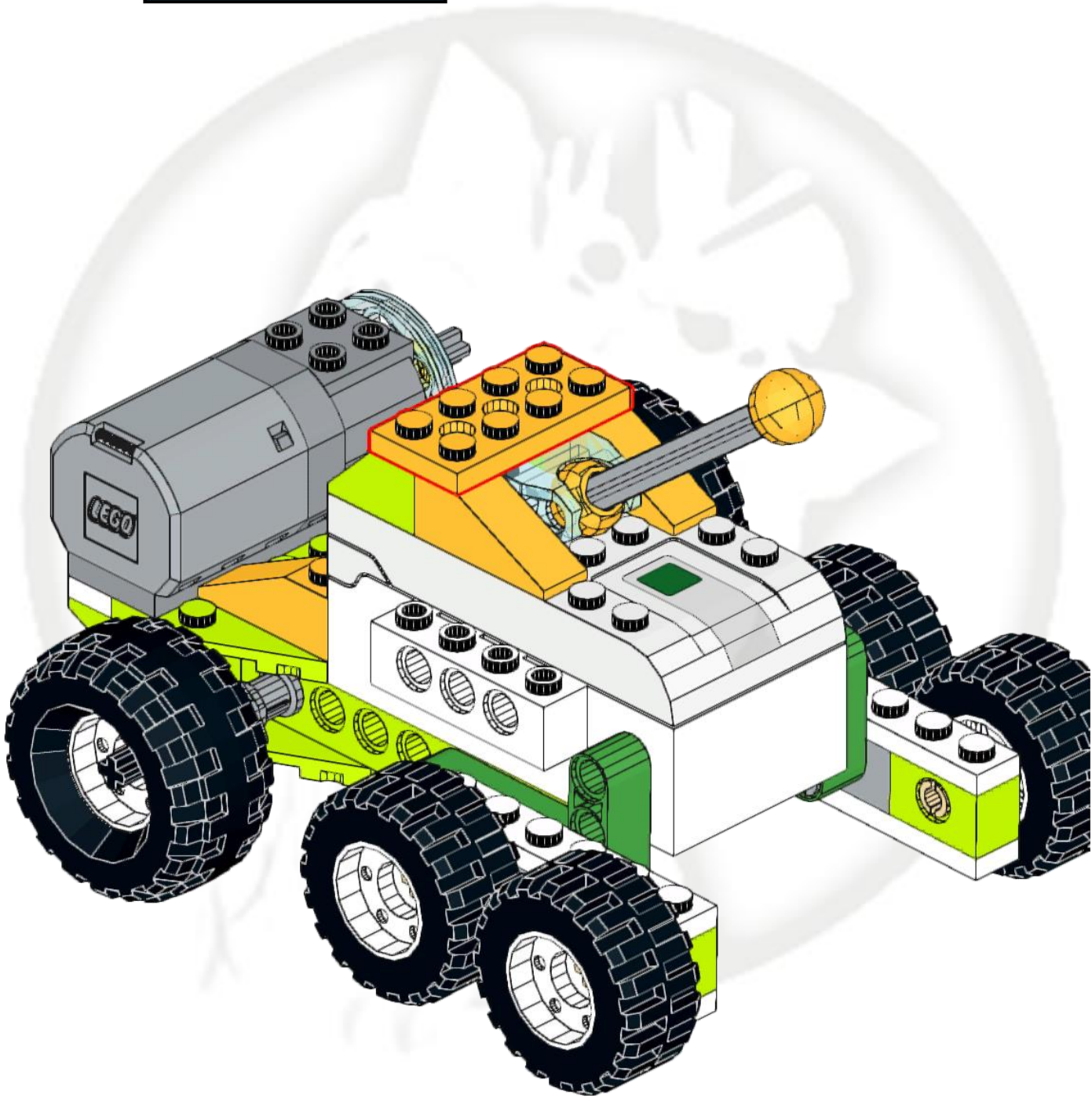
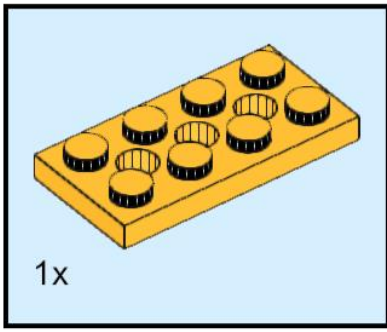
21



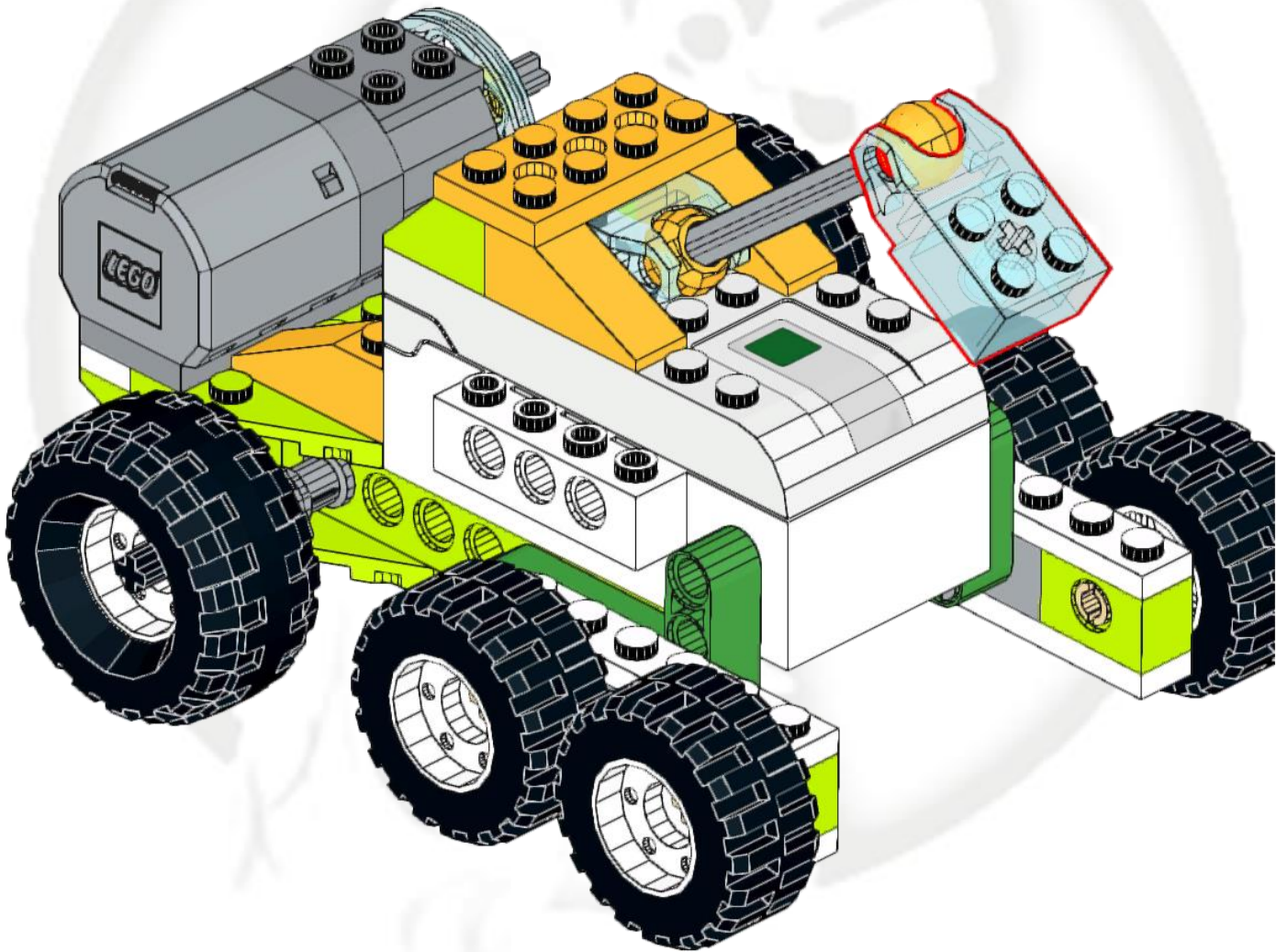
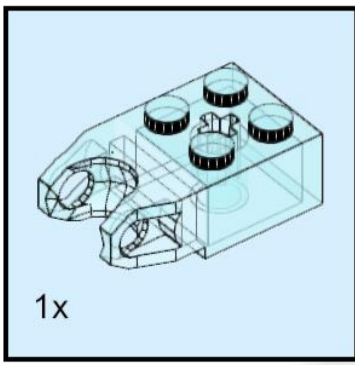
22



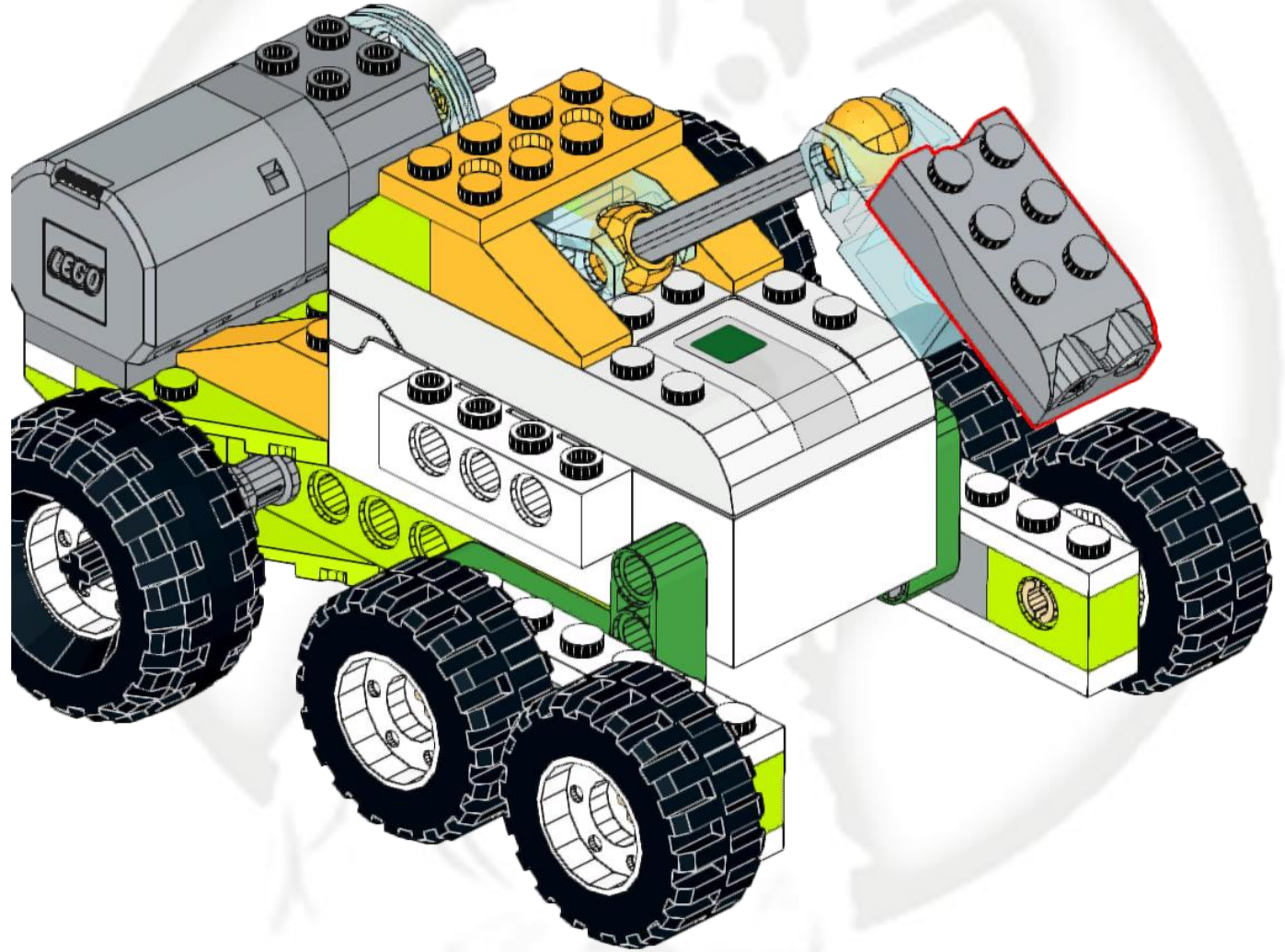
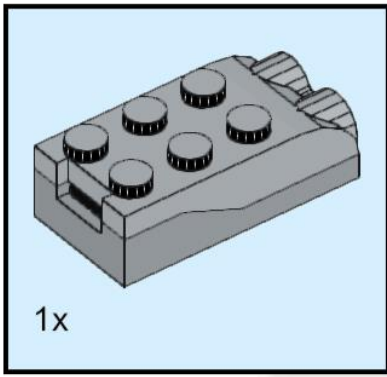
23



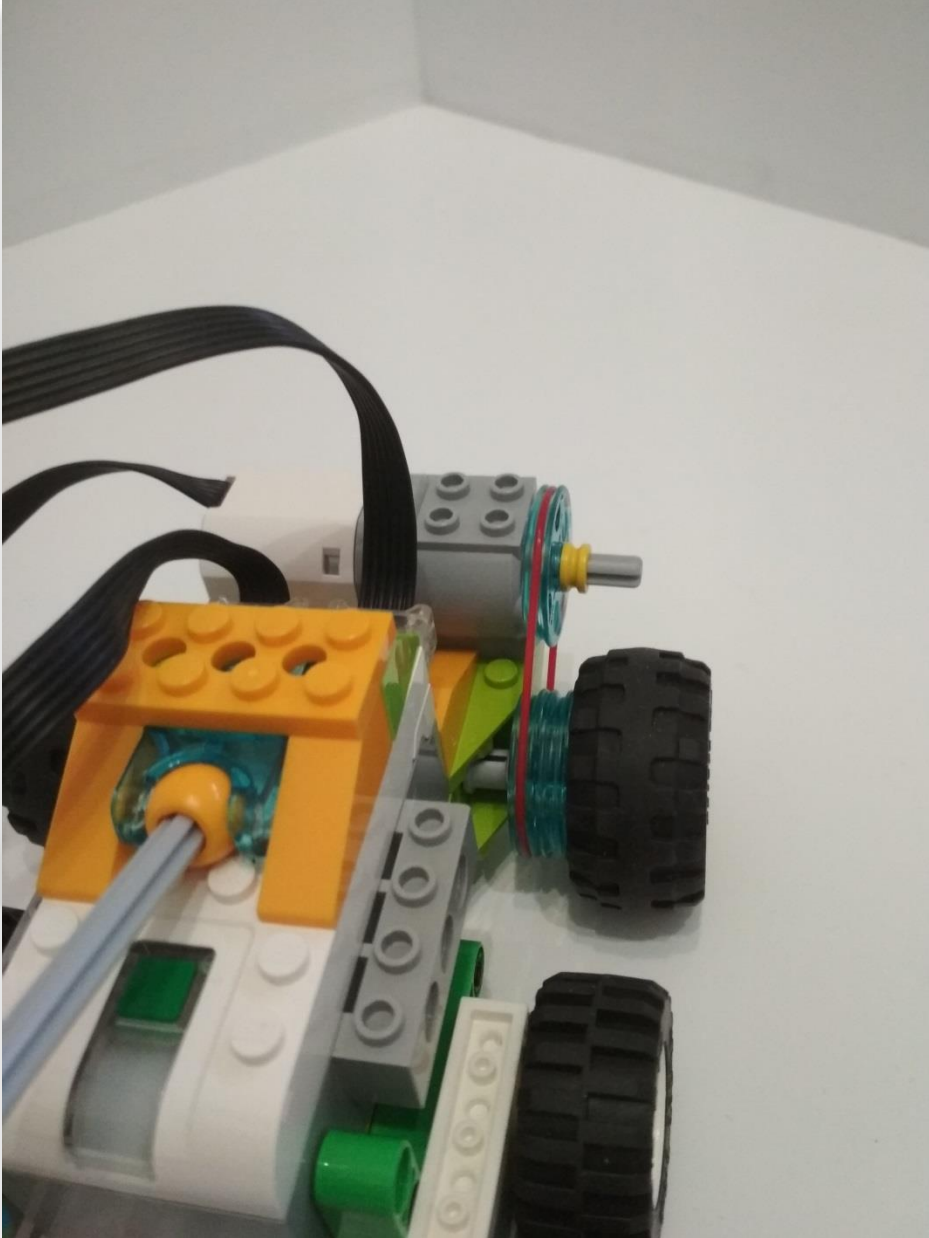
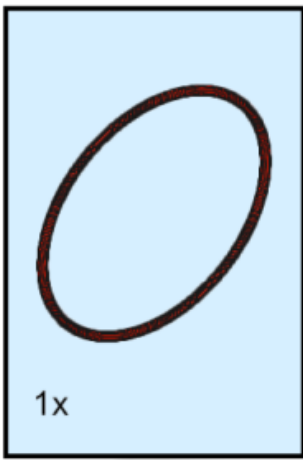
24

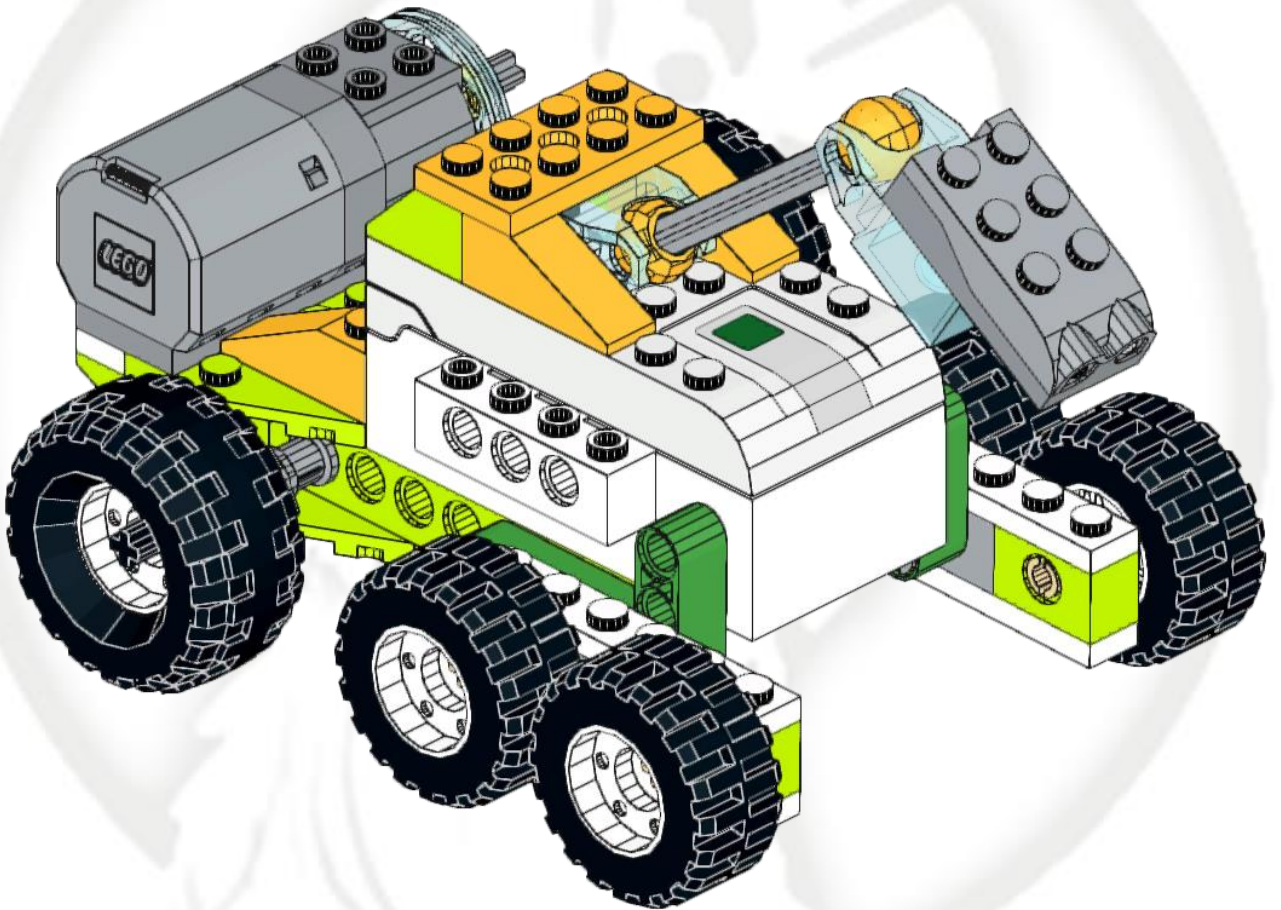


25

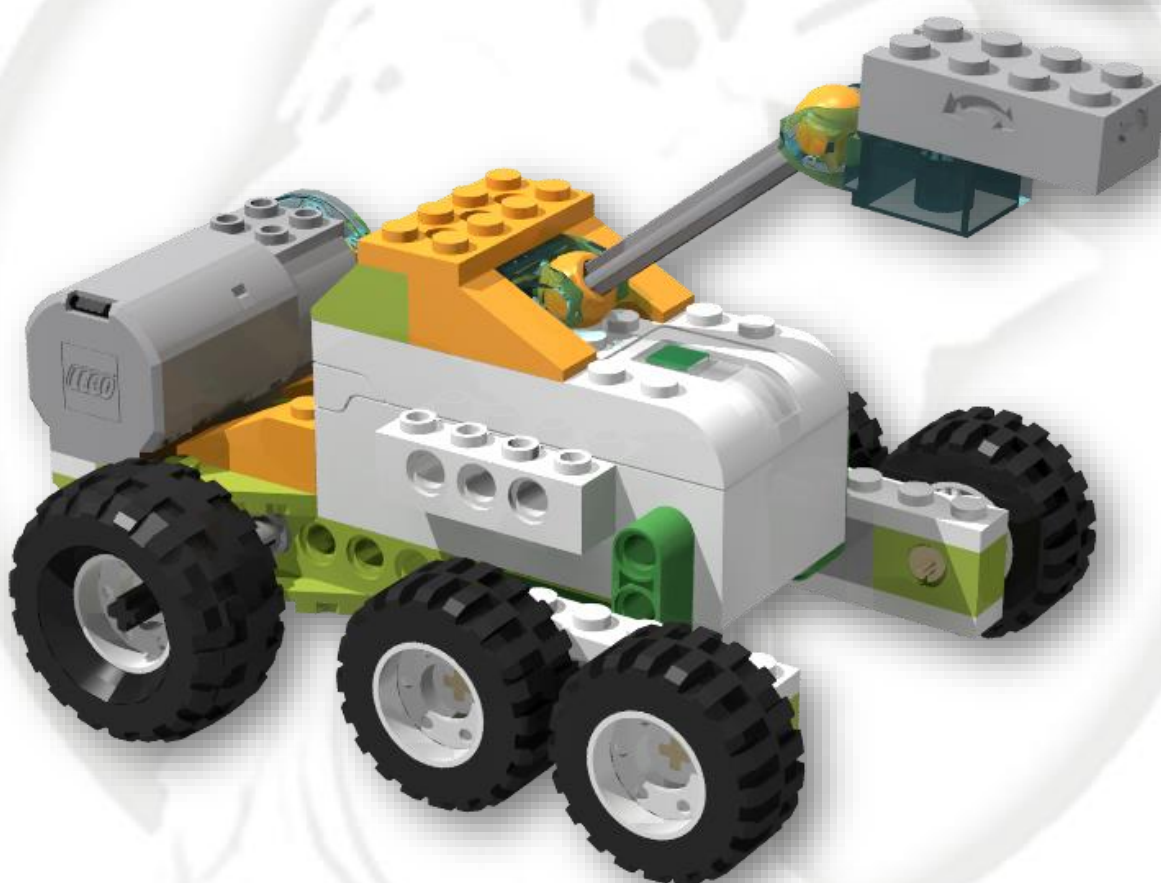


26





Rover with tilt sensor

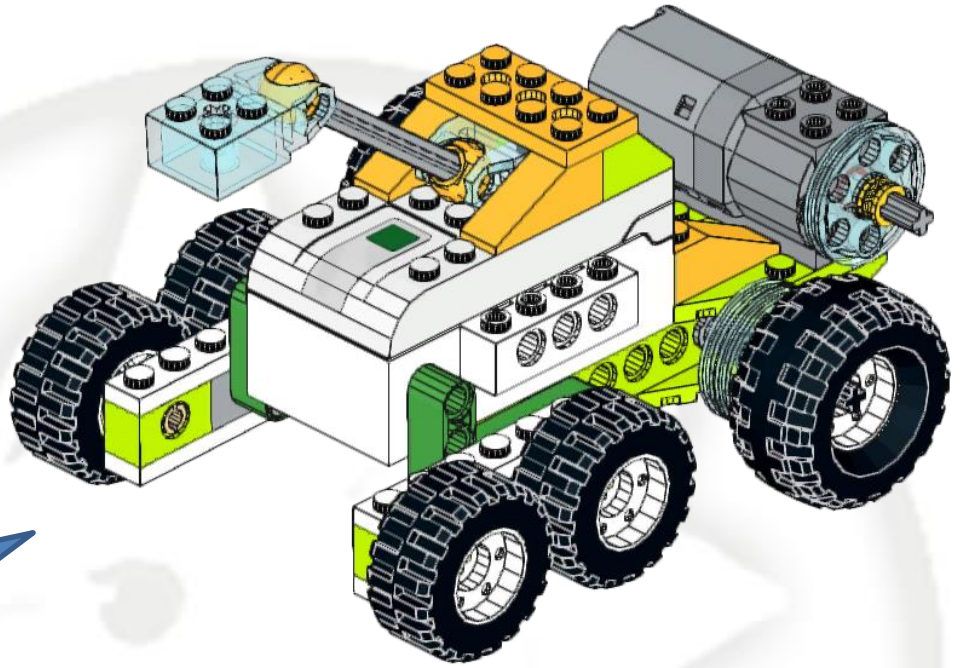
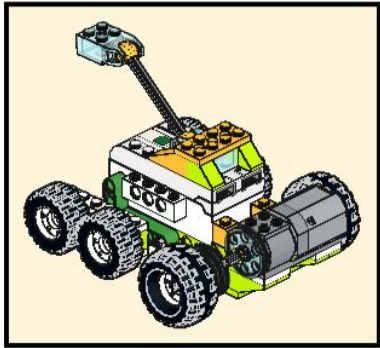


www.nayacreations.com



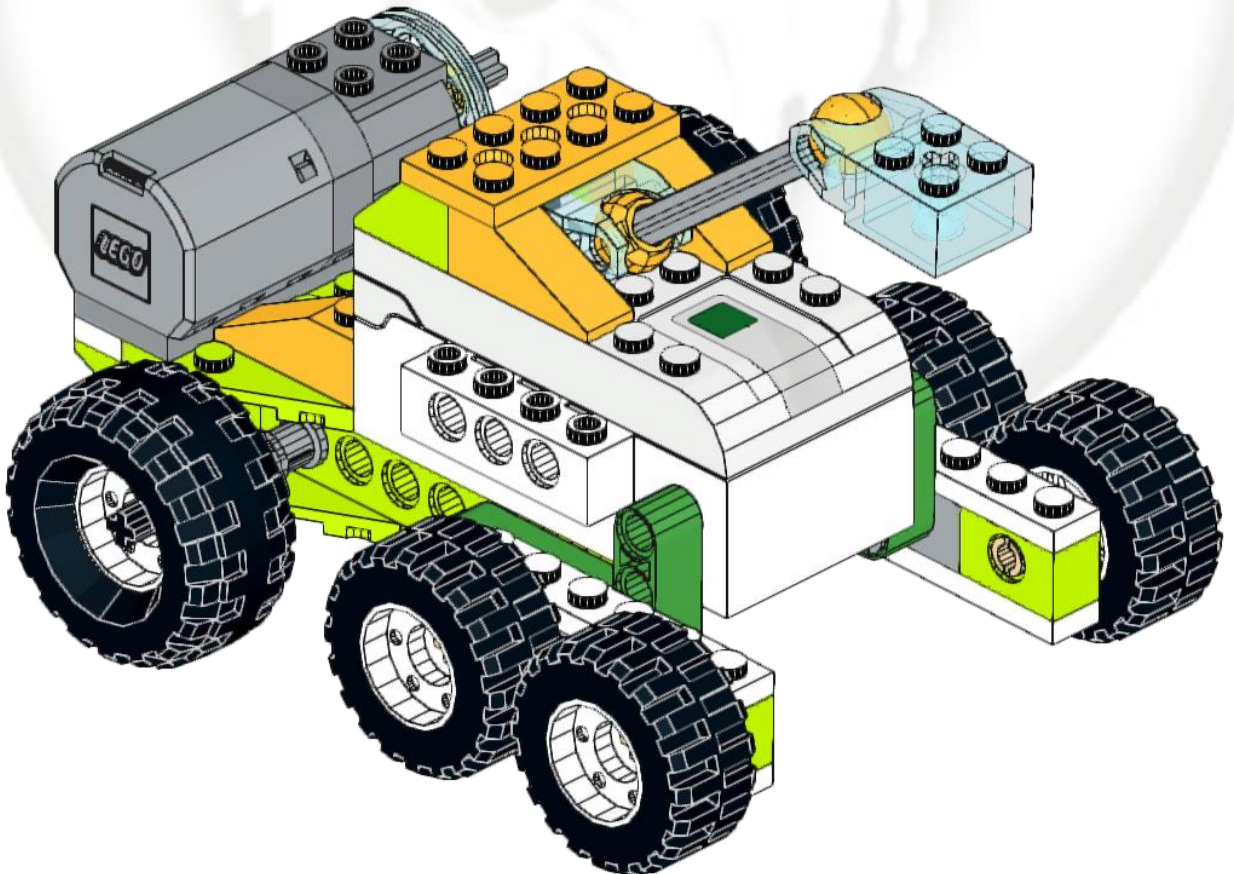
1

- 1x 3x 2x 4x 4x 1x 1x 2x 4x 2x 4x 4x 2x 1x 6x 4x 2x 2x
- 3x 2x 2x 2x 1x 1x 2x 4x 1x

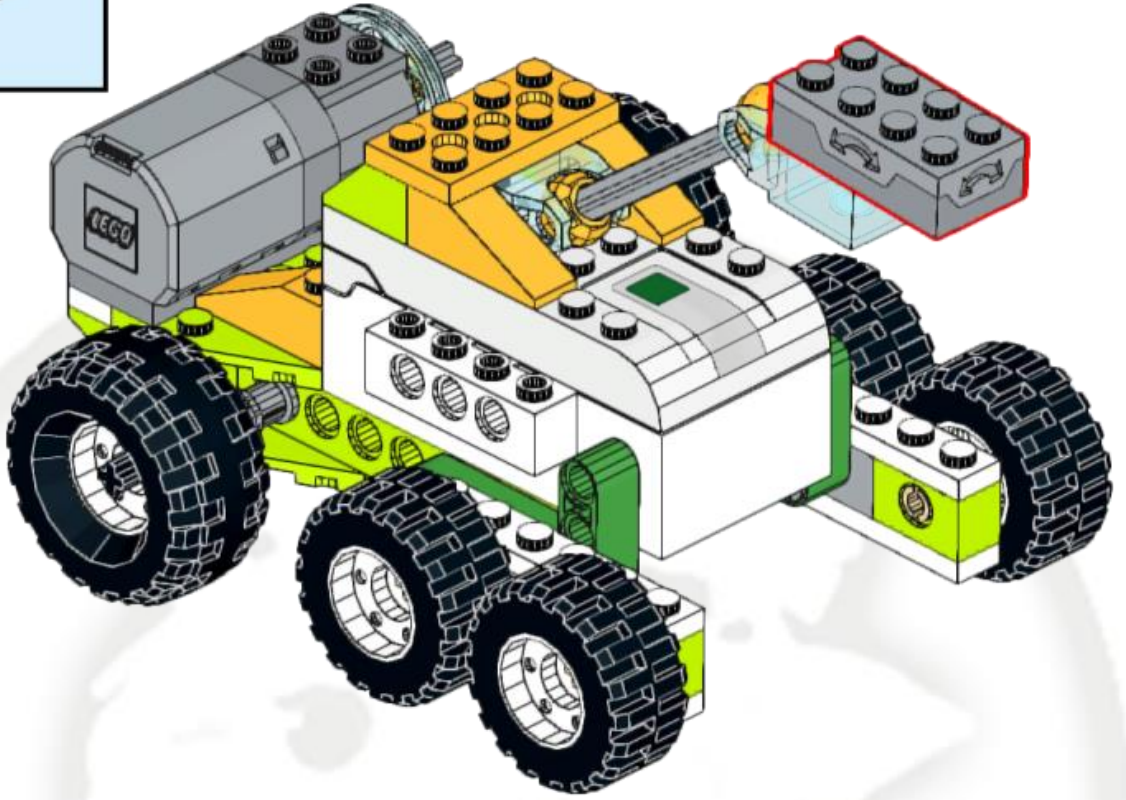
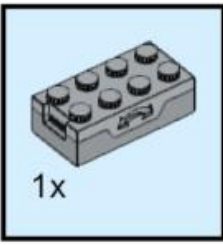


Rover

2



3



4

